

SPEAKMAN® SB-2011-E

Chelsea™ Single Lever Faucet

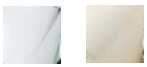
FEATURES:

- Lead-free brass construction
- Sculpted lever handle
- 1.2 gpm (4.5 L/min) flow rate
- Ceramic cartridge
- Includes optional deck plate

COMPLIANCE:

- ASME A112.18.1/CSA B125.1 certified
- NSF 61 standards certified
- WaterSense certified
- NSF 372 certified
- Meets ADA

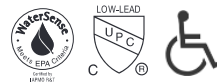
FINISH:



PC BN

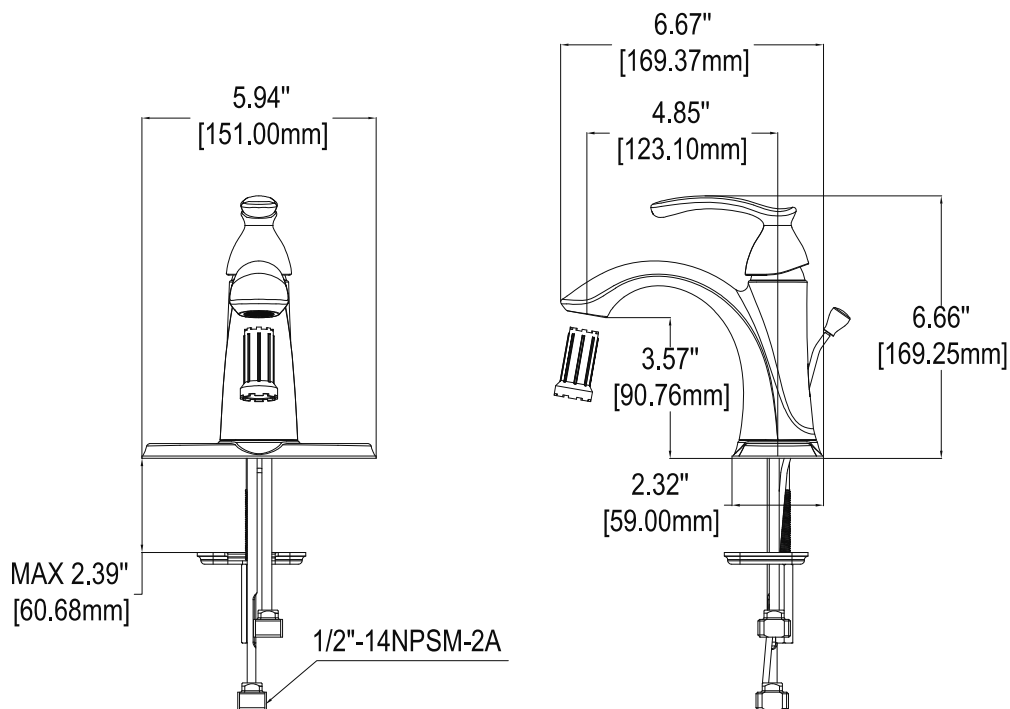
WARRANTY:

- Limited Lifetime Warranty (consumer use)
- 1 Year Limited (commercial use)



DIMENSIONS:

NOTE: 1. All dimensions are in inches (millimeters) unless otherwise specified and are subject to change without notice.



Architect/Engineer Approval Space:

SPEAKMAN
400 ANCHOR MILL ROAD
NEW CASTLE, DE 19720

P: 800-537-2107
F: 800-977-2747
W: WWW.SPEAKMAN.COM
R: OCTOBER 2017