

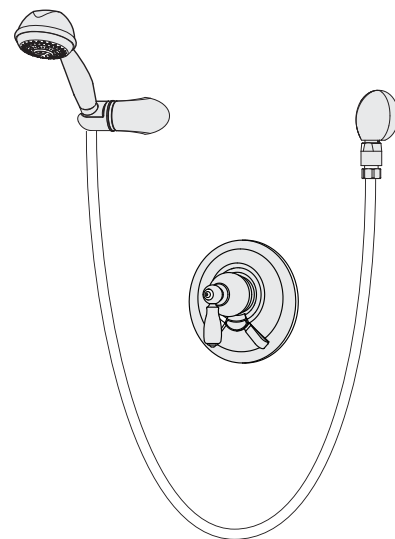
Location:




# SYMMONS® Allura™

## Hand Shower System S-4703

### Specification Submittal



#### Feature Highlights

- Symmons hand shower system with lever handles.
- Symmons Temptrol® pressure balancing mixing valve with adjustable stop screw to limit handle turn.
- Wall/hand shower, Euro-flo H303-V, three mode with 5 foot flexible metal hose, in-line vacuum breaker, wall connection and cradle for hand shower mounting
- Flow rate, 2.5 gpm (9.5 L/min)  
*Optional lower flow rate restrictor available* 
- Polished chrome finish

#### Model Numbers

- S-4703 ..... Hand Shower System with Symmons Temptrol® pressure balancing mixing valve p/n S-4001-BODY
- S-4703-TRM ..... Trim only, valve must be ordered separately
- S-4001-BODY..... Symmons Temptrol® pressure balancing mixing valve without trim
- S-4001-X-BODY ... Symmons Temptrol® pressure balancing mixing valve without trim. Valve includes integral service stops to allow water shut-off for service.



#### Finish Options / Modifications

*Append appropriate -suffix to model number.*

- STN Satin nickel
  - Polished chrome (standard finish)

#### Options / Modifications

*Append appropriate -suffix to model number.*

- IPS 1/2 inch female IPS connections on Symmons Temptrol® mixing valve
- X Symmons Temptrol® pressure balancing mixing valve includes integral service stops to allow water shut-off for service, p/n S-4001-X-BODY. (Option only applies when ordering model S-4703.)
-  -2.0 2.0 (7.6 L/min) Flow rate restrictor
-  -1.5 1.5 (5.7 L/min) Flow rate restrictor

#### Standards / Certifications

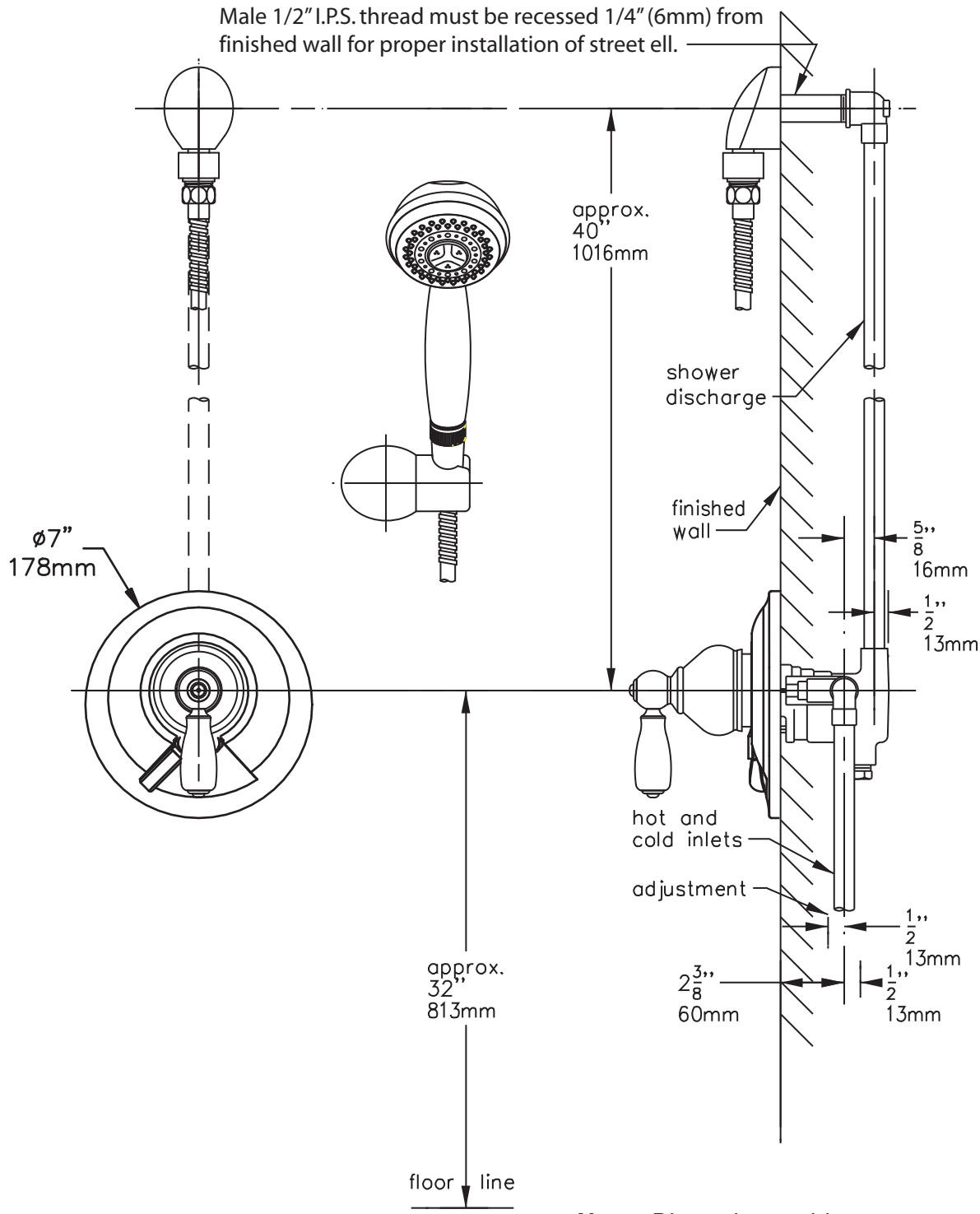
ASME A112.18.1-2005/CSA B125.1-05

#### Warranty

- Limited Lifetime - to the original end purchaser in consumer installations.
- 5 years - for commercial installations

## Dimensions *Allura Hand Shower System, S-4703*

Male 1/2" I.P.S. thread must be recessed 1/4" (6mm) from finished wall for proper installation of street ell.



**Note:** Dimensions subject to change without notice.

Symmons Industries, Inc. ■ 31 Brooks Drive ■ Braintree, MA 02184  
 (800) 796-6667, (781) 848-2250 ■ Fax (800) 961-9621, (781) 664-1300  
 Website: [www.symmons.com](http://www.symmons.com) ■ Email: [customerservice@symmons.com](mailto:customerservice@symmons.com)

©2009 Symmons Industries, Inc. Printed in U.S.A. ■ 111809 ■ ZV-618

**SYMMONS**<sup>®</sup>  
 the smart choice™