








Location:

SYMMONS[®] Origins[™]

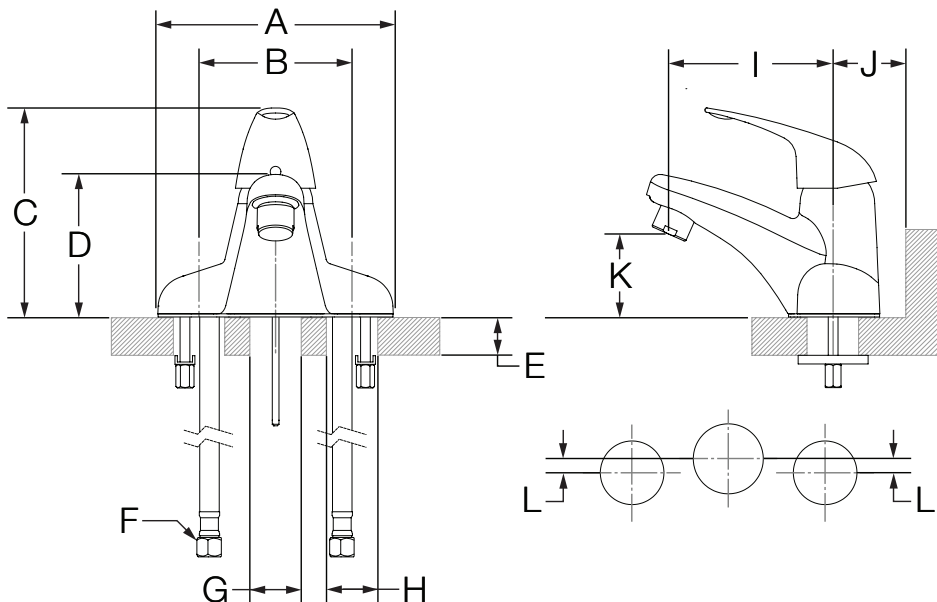
the smart choice[™]

S-9610-1.5, S-9612-1.5
Single Handle Centerset Lavatory Faucet
Specification Submittal



Model Numbers	Specification
<input type="checkbox"/> S-9610-1.5 <i>Origins Single Handle Centerset Lavatory Faucet Less Rod</i> <input type="checkbox"/> S-9612-1.5 <i>Origins Single Handle Centerset Lavatory Faucet</i>	<p>Single handle centerset lavatory faucet featuring a 4" mounting configuration. Includes ceramic cartridge, 15 3/4" stainless steel braided hoses with 3/8" compression fittings, 50/50 drain assembly and standard 1.5 gpm (5.7 L/min) aerator. Components made from brass and nonmetallic materials plated in standard polished chrome finish.</p> 
<p>Modifications</p> <input type="checkbox"/> -0.5  0.5 gpm (1.9 L/min) aerator <input type="checkbox"/> -1.0  1.0 gpm (3.8 L/min) aerator <input type="checkbox"/> -G Grid drain <input type="checkbox"/> -STN Satin Nickel finish <p>Note: Append appropriate -suffix to model number.</p>	
<p>Compliance</p> <p>-NSF/ANSI 372, NSF/ANSI 61.9 -ASME A112.18.1/CSA B125.1 -WaterSense 1.5 gpm (5.7 L/min)</p>  	<p>Warranty</p> <p>Limited Lifetime - to the original end purchaser in consumer/residential installations. 5 Years - for industrial/commercial installations. Refer to www.symmons.com/warranty for complete warranty information.</p>

Dimensions



Measurements	
A	5 7/8", 149 mm
B	3 3/4", 95 mm
C	5 1/4", 133 mm
D	3 1/2", 89 mm
E	Deck Thickness Ref. Max. 1 1/8", 29 mm
F	3/8" Compression Fitting
G	Hole Size Min. Ø 1 3/8", 35 mm
H	(2x) Hole Size Min. Ø 1 1/4", 32 mm
I	4 1/4", 108 mm
J	Min. 2", 51 mm
K	2", 51 mm
L	1/4", 6 mm

Note: Dimensions subject to change without notice.