





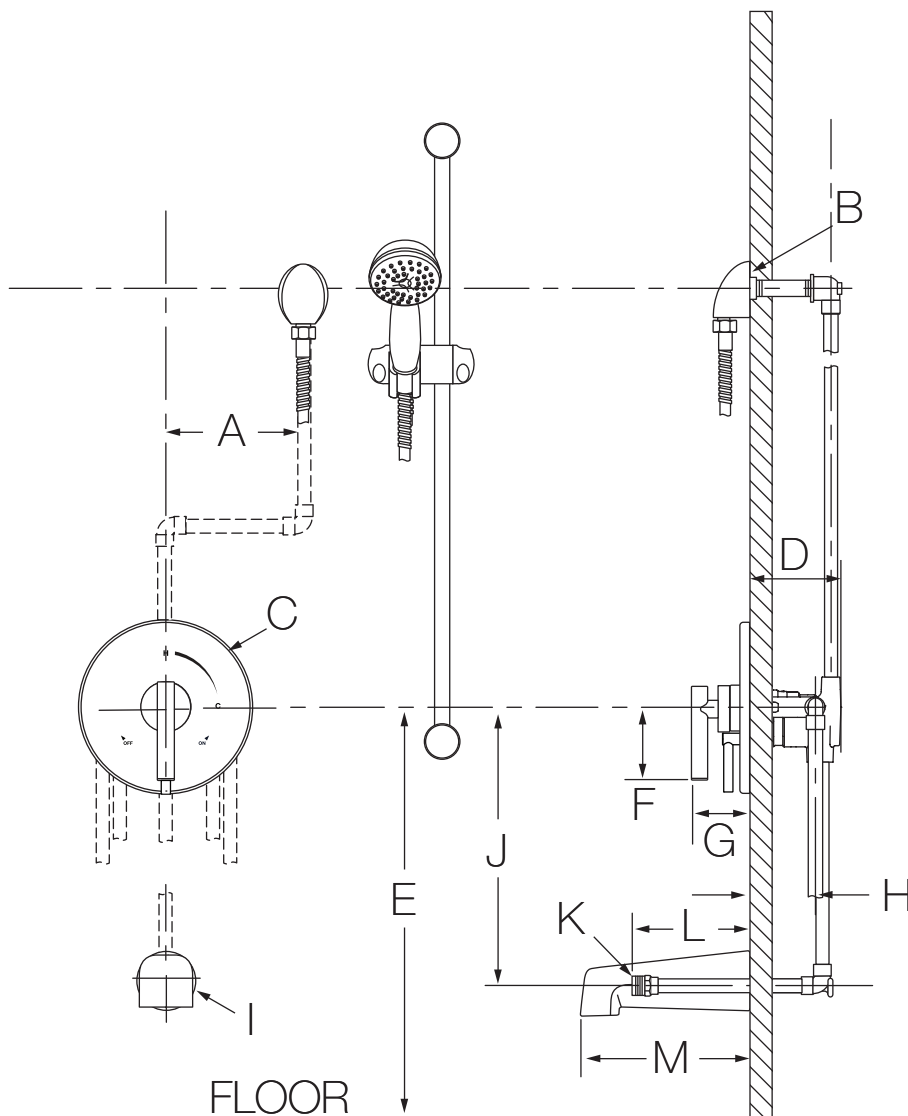
Location:

S-3504-H321-V-CYL-B
Tub/Hand Shower System
Specification Submittal



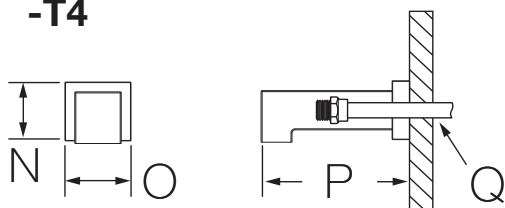
Feature Highlights	Options/Modifications cont.
<ul style="list-style-type: none"> • Secondary integral diverter • Metal lever handle • Adjustable stop screw to limit handle turn • 7" non-diverter tub spout • 30" slide bar for hand shower • 60" flexible metal hose • 1 mode hand shower • Dual checks for backflow protection • 2.5 gpm (9.5 L/min) standard flow restrictor • Components shall be metal and nonmetallic construction, plated in standard polished chrome finish • For optional in-line vacuum breaker order p/n EF-109 	<ul style="list-style-type: none"> <input type="checkbox"/> -REV Reverse coring, hot on right, cold on left, for back to back installations <input type="checkbox"/> -SS Slip spout (available in chrome and STN finish only) <input type="checkbox"/> -T4 Alternative 361TS, non-diverter square tub spout <input type="checkbox"/> -T724 24" slide bar/grab bar with ADA hand shower <input type="checkbox"/> -T736 36" slide bar/grab bar with ADA hand shower <input type="checkbox"/> -T748 48" slide bar/grab bar with ADA hand shower <input type="checkbox"/> -TRM Trim only, valve must be ordered separately <input type="checkbox"/> -VB Elevated vacuum breaker <input type="checkbox"/> -VP Vandal resistant escutcheon screws in place of standard screws <input type="checkbox"/> -X Integral service stops - allows water shutoff at valve for service <input type="checkbox"/> -X-CHKS Integral check stops - for use in installations where a positive shut-off device is used downstream of mixing valve <input type="checkbox"/> -BBZ Brushed Bronze finish (not available with H35 or T7 series slide bar/grab bar modifications) <input type="checkbox"/> -MB Matte Black finish (not available with H35 or T7 series slide bar/grab bar modifications) <input type="checkbox"/> -STN Satin Nickel finish
<p>Model Numbers</p> <ul style="list-style-type: none"> <input type="checkbox"/> S-3504-H321-V-CYL-B Tub/Hand Shower System with Symmons Temptrol® 4-port pressure balancing mixing valve <input type="checkbox"/> S-46-2-BODY Symmons Temptrol 4-port pressure balancing mixing valve <input type="checkbox"/> S-46-2X-BODY Symmons Temptrol 4-port pressure balancing mixing valve with integral service stops 	<p>Note: Append appropriate -suffix to model number.</p>
<p>Options/Modifications</p> <ul style="list-style-type: none"> <input type="checkbox"/> -1.5  1.5 gpm (5.7 L/min) flow restrictor <input type="checkbox"/> -2.0 2.0 gpm (7.6 L/min) flow restrictor <input type="checkbox"/> -72 72" hose in place of 60" hose <input type="checkbox"/> -ADACHS ADA hand shower wand (chrome) <input type="checkbox"/> -ADAHS ADA hand shower wand (white) <input type="checkbox"/> Delete Suffix B Chrome only plastic escutcheon on valve with color graphics/indicators <input type="checkbox"/> -H323-V 3 mode hand shower unit with slide bar <input type="checkbox"/> -H323-V-48 3 mode hand shower unit with 48" slide bar <input type="checkbox"/> -H3524 24" decorative slide/grab bar with ADA hand shower <input type="checkbox"/> -H3536 36" decorative slide/grab bar with ADA hand shower <input type="checkbox"/> -IPS 1/2" female IPS connections <input type="checkbox"/> -L/HS Less hand shower <input type="checkbox"/> -QD Quick-disconnect on hand spray units <input type="checkbox"/> -R 60" white vinyl hose in place of 60" metal hose <input type="checkbox"/> -REB Rebuild trim kit, includes TA-10 and TA-4 	<p>Compliance</p> <p>- ASME A112.18.1/CSA B125.1</p> 
<p>Warranty</p> <p>Limited Lifetime - to the original end purchaser in consumer/residential installations. 5 Years - for industrial/commercial installations. Refer to www.symmons.com/warranty for complete warranty information.</p>	

Dimensions



Measurements	
A	6", 152 mm
B	Male 1/2-14 NPT thread must be recessed 1/4" (6 mm) from finished wall
C	Ø 7-1/2", 191 mm
D	3-1/2", 89 mm
E	Ref. 32", 813 mm
F	3", 76 mm
G	2-7/8", 73 mm
H	Rough-in 2-3/8" ± 1/2", 60 mm ± 13 mm
I	Ø 2-1/2", 64 mm
J	Ref. 12", 305 mm
K	Male 1/2-14 NPT fitting must protrude 5-1/4" (133 mm) from finished wall
L	5-1/4", 133 mm
M	7", 178 mm
N	2-1/4", 57 mm
O	2-1/2", 64 mm
P	5-5/8", 143 mm
Q	Male 1/2-14 NPT fitting must protrude 4-7/16" (113 mm) from finished wall

-T4



Notes:

- 1) Plaster shield (p/n T-176) for dry wall, plaster or other type walls 1/2" or greater.
- 2) Do not install positive shut-off device/devices that do not allow the valve to flow at least 1.5 gpm to valve outlets.
- 3) All dimensions measured from nominal rough-in (see H as reference).
- 4) Dimensions subject to change without notice.