

Hotel Pure™ Shower Head

MODELS:

- S-2005-HBF: 2.5 GPM (9.5 L/min) flow rate
- S-2005-HBF-E2: 2.0 GPM (7.6 L/min) flow rate
- S-2005-HBF-E175: 1.75 GPM (6.6 L/min) flow rate

FEATURES:

- 5 plungers with 50 sprays, 8 massage jets, 3 spray patterns
- Patented Anystream® plungers resist scale build-up
- Spray adjusting handle
- 10,000 gallon/6 month filter life
- Plastic body construction, with brass ball nut
- 1/2" -14 NPTF female inlet
- Corrosion resistant finishes

STOCK FINISHES:



PC BN

OPTIONS/ADD-ONS:

- FS-1 - Hotel Pure Replacement Shower Filter

STANDARDS:

- ASME A112.18.1/CSA B125.1 certified
- NSF/ANSI 177-2014 certified, FS-1, S-2005-HBF & S-2005-HBF-E2 only
- CEC (CA Energy Commission) certified, 1.75 GPM only
- WaterSense certified, 2.0 & 1.75 GPM only

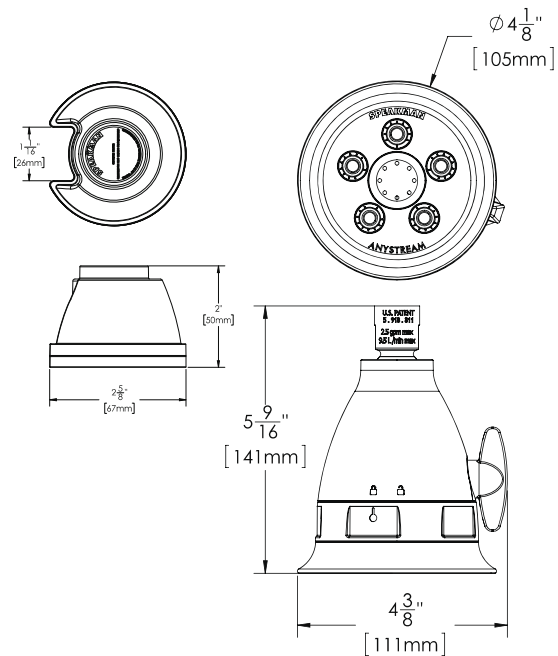
WARRANTY:

Visit www.speakman.com for full product warranty information

- Limited Lifetime Warranty (consumer)
- 1 Year Limited Warranty (commercial)



FS-1



All dimensions are in inches (millimeters) unless otherwise specified and are subject to change without notice.

Architect/Engineer Approval Space:

SPEAKMAN
400 ANCHOR MILL ROAD
NEW CASTLE, DE 19720

P: 800-537-2107
F: 800-977-2747
W: WWW.SPEAKMAN.COM
R: 02-APRIL 2018