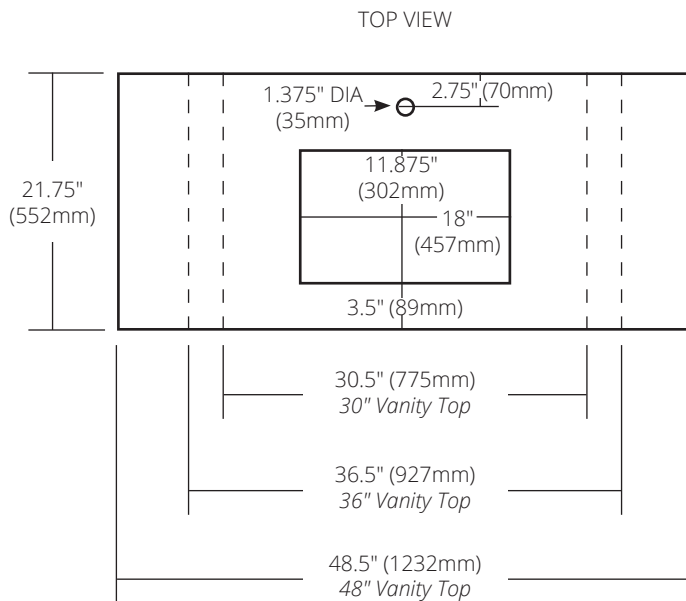
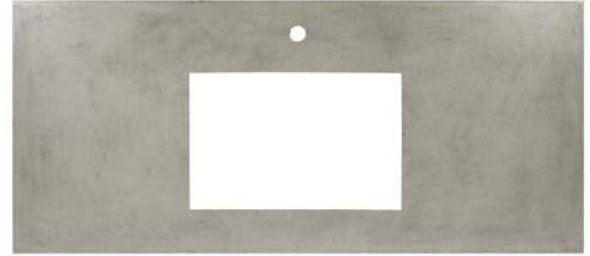


SPECIFICATIONS

NATIVESTONE® VANITY TOP
ALL SIZES - RECTANGLE WITH SINGLE FAUCET HOLE

NativeStone® Collection



30" Vanity Top

30.5"w x 21.75"d x 1.18"h (775mm x 552mm x 30mm)

- NSV30-AR1 Ash
- NSV30-SR1 Slate
- NSV30-PR1 Pearl
- NSV30-ER1 Earth

36" Vanity Top

36.5"w x 21.75"d x 1.18"h (927mm x 552mm x 30mm)

- NSV36-AR1 Ash
- NSV36-SR1 Slate
- NSV36-PR1 Pearl
- NSV36-ER1 Earth

48" Vanity Top

48.5"w x 21.75"d x 1.18"h (1232mm x 552mm x 30mm)

- NSV48-AR1 Ash
- NSV48-SR1 Slate
- NSV48-PR1 Pearl
- NSV48-ER1 Earth

PRODUCT DETAILS

- Handcrafted from sustainable NativeStone
- Sealed with impermeable nano-sealer
- Pre-drilled single faucet hole

COORDINATING PRODUCTS

- Hana, Avila, or Cabrillo sinks
- NativeStone sealer
- Drains: DR120, DR130 or DR150

IMPORTANT

DO NOT use tape or other adhesives on NativeStone as it will remove the sealer. Due to the handcrafted nature of this product, it will vary in finish, texture, and other details. Dimensions may vary up to .25" (6mm).