

Repair Parts

E80-A11A-17ABCP

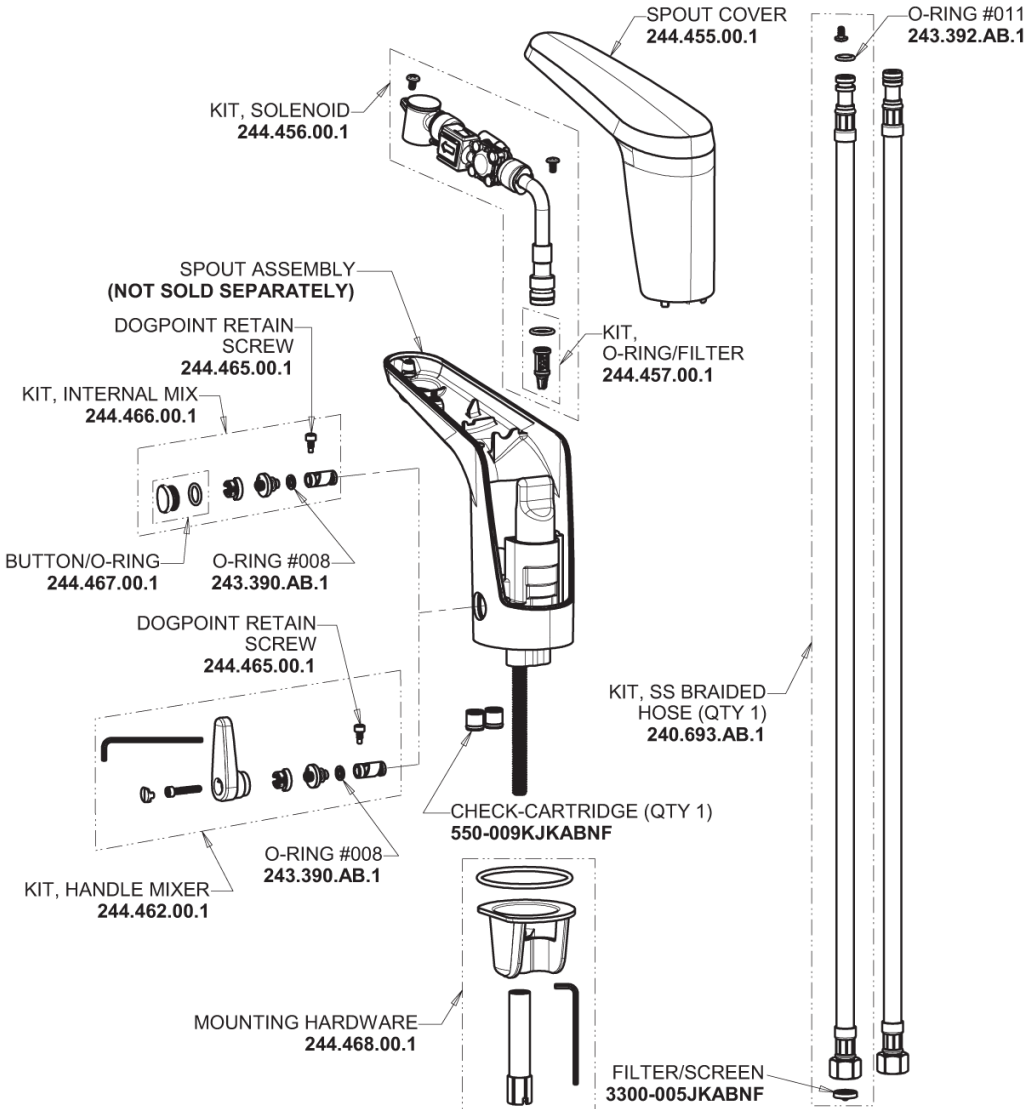
Lavatory sink faucet with touch-free operation

CHICAGO FAUCETS®

Geberit Group

E-Tronic 80 Base with Thermostatic Mixer

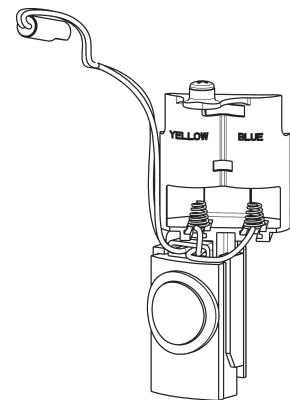
Base Parts:



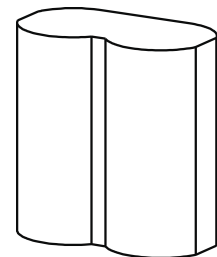
0.5 GPM (1.9 L/min) Vandal Proof
Pressure Compensating Econo-Flo
Non-Aerating Spray Outlet
243.145.AB.1



Electronic Module
244.458.00.1



CR-P2 6V Lithium Battery
242.560.00.1



For Technical Assistance:

Phone: 800-TEC-TRUE (832-8783)

Email: techsupport.us@chicago faucets.com

2100 South Clearwater Drive

Des Plaines, IL 60018

Phone: 847-803-5000

chicago faucets.com