

# Repair Parts

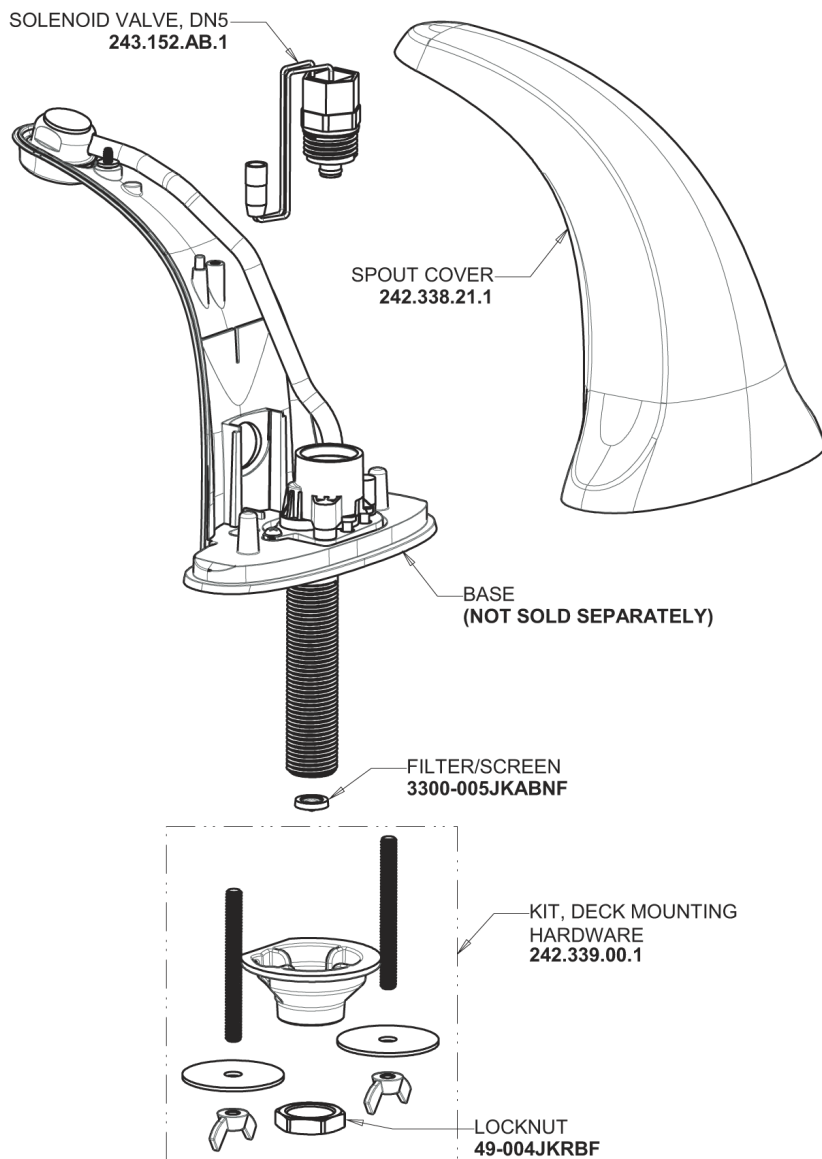
116.706.AB.1

Touch-free, programmable faucet with above-deck electronics

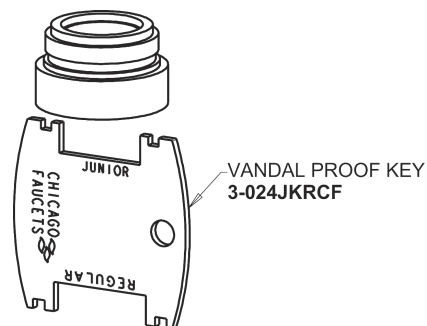
# CHICAGO FAUCETS®

Geberit Group

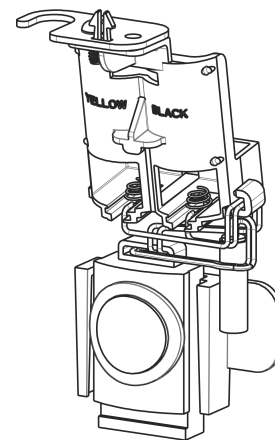
## E-Tronic 40 Base Base Parts:



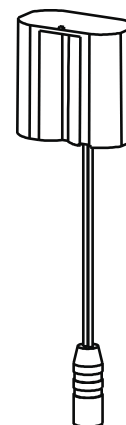
## 0.5 GPM (1.9 L/min) Vandal Proof Econo-Flo Non-Aerating Spray E2805JKABCP



## Electronic Module 242.337.00.1



## AC Power Adapter 240.747.00.1



## For Technical Assistance:

Phone: 800-TEC-TRUE (832-8783)

Email: [techsupport.us@chicagofaucets.com](mailto:techsupport.us@chicagofaucets.com)

2100 South Clearwater Drive  
Des Plaines, IL 60018  
Phone: 847-803-5000  
[chicagofaucets.com](http://chicagofaucets.com)