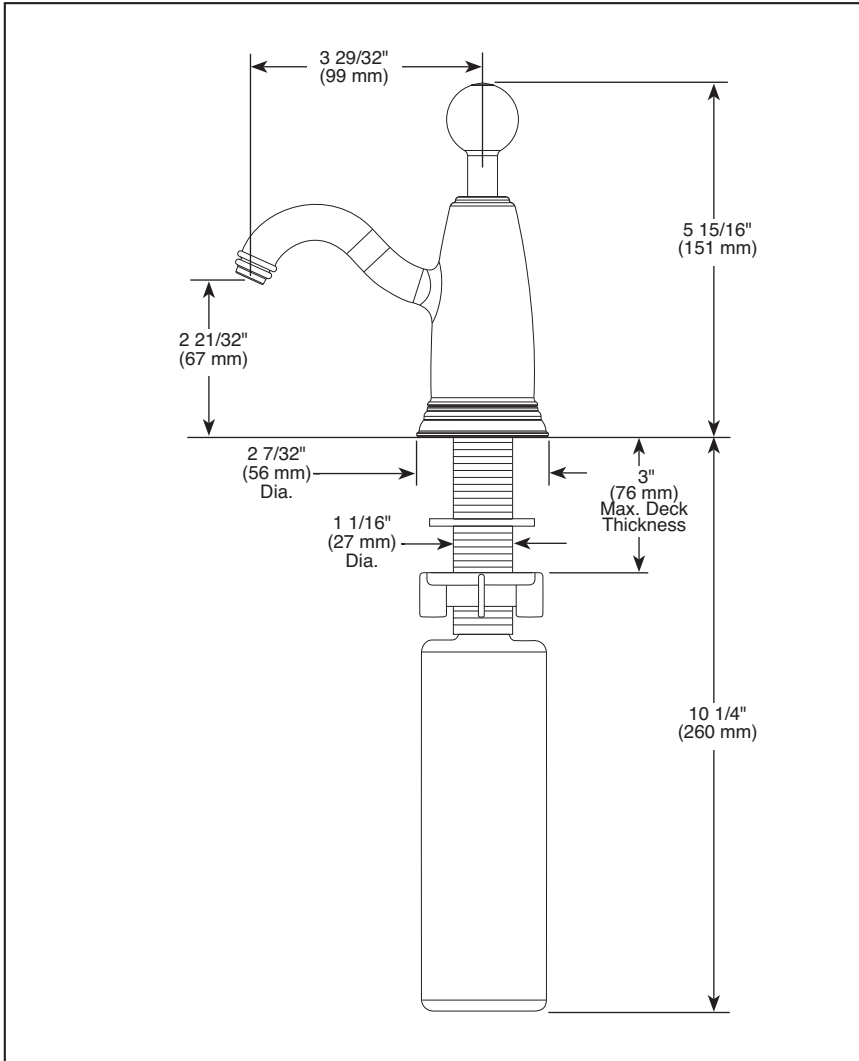


RP61024▲

Submitted Model No.: \_\_\_\_\_

Specific Features: \_\_\_\_\_



▲ Designate Proper Finish Suffix

# BRIZO®

## SOAP DISPENSER

### STANDARD SPECIFICATIONS:

- 13 ounce bottle.
- Refillable from above the deck.
- 3" max. deck thickness.
- Includes RP30395 refill funnel.
- Fits hole size 1 3/8" +/- 1/8".

### WARRANTY

- Lifetime limited warranty on parts (other than electronic parts and batteries) and finishes; or, for commercial users, for 5 years from date of purchase.
- 5 year limited warranty on electronic parts (other than batteries); or, for commercial users, for 1 year from the date of purchase. No warranty is provided on batteries.

Delta reserves the right (1) to make changes in specifications and materials, and (2) to change or discontinue models, both without notice or obligation. Dimensions are for reference only. See current full-line price book or [www.brizo.com](http://www.brizo.com) for finish options and product availability.