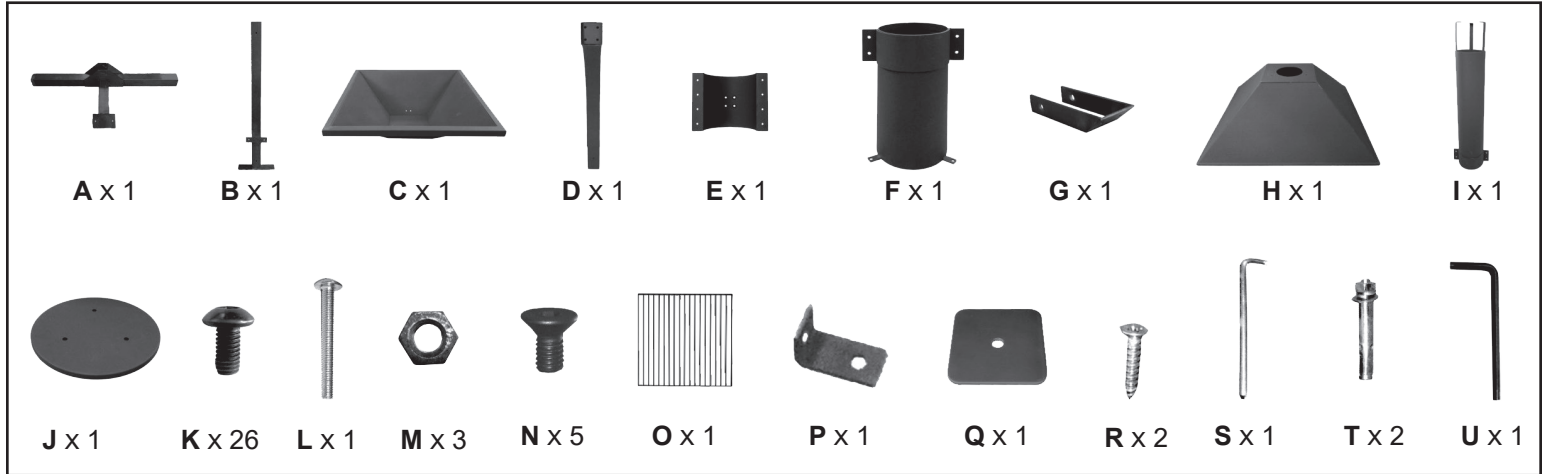


Thank you for choosing Sunnydaze Decor. We stand behind our brand and the quality of the items we sell. Replacement parts or products will be sent at our discretion within the 1-year warranty period. Proof of purchase, with the date of purchase as well as photos of the merchandise defect must be provided. Photos are used to identify the cause of defects and for use with future quality control.

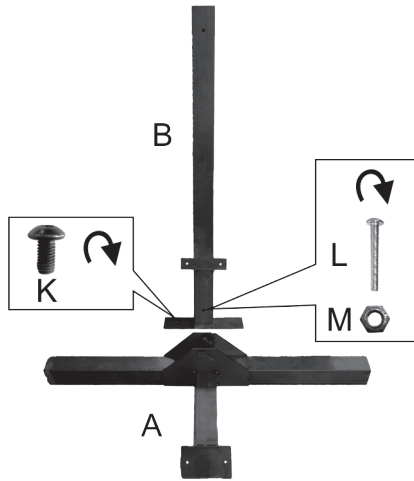
If you have any questions, comments or concerns, feel free to contact us by phone at 888-881-4668, by email: customerservice@serenityhealth.com, or via our contact us page at www.SerenityHealth.com/contact-us/

ASSEMBLY INSTRUCTIONS

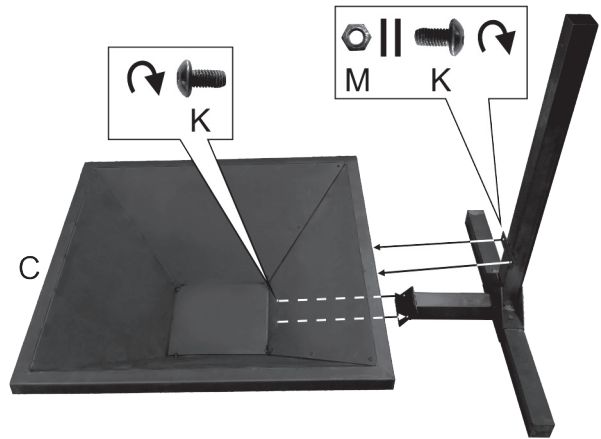
RCM-535



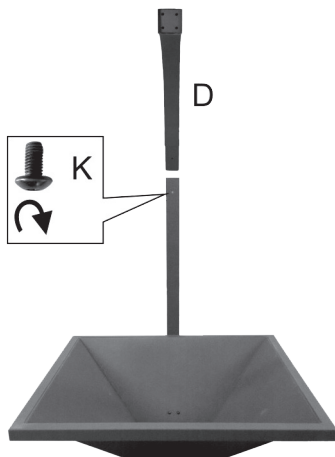
STEP 1



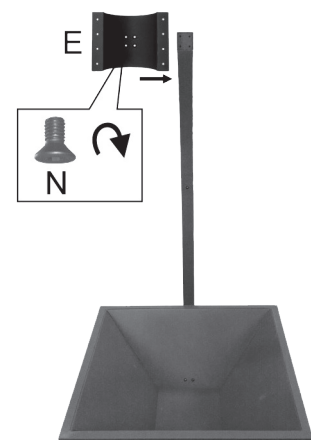
STEP 2



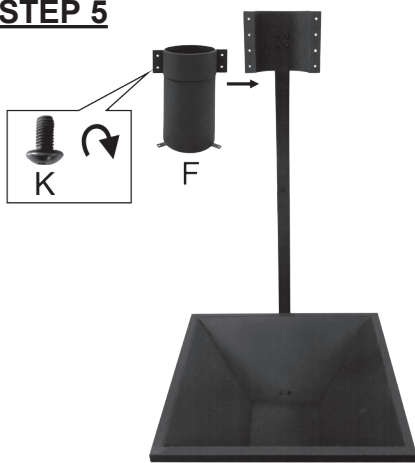
STEP 3



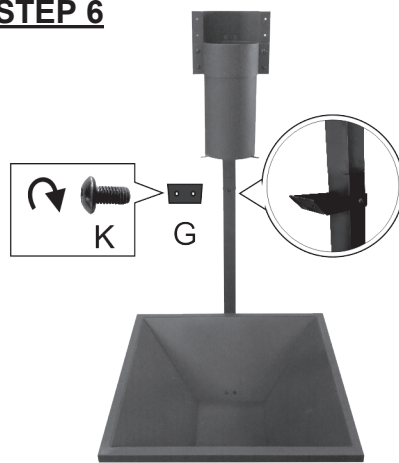
STEP 4



STEP 5



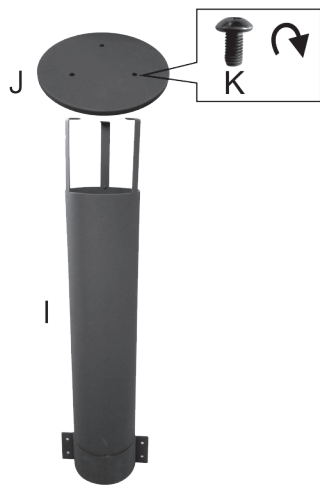
STEP 6



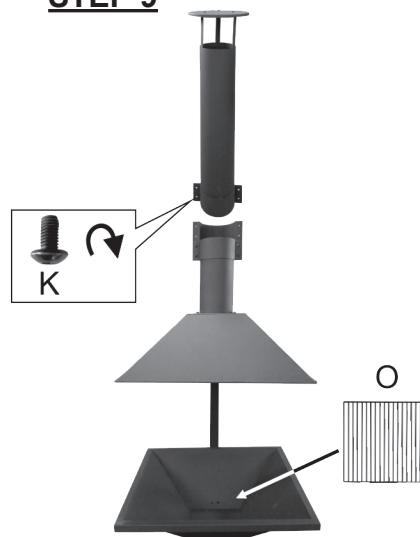
STEP 7



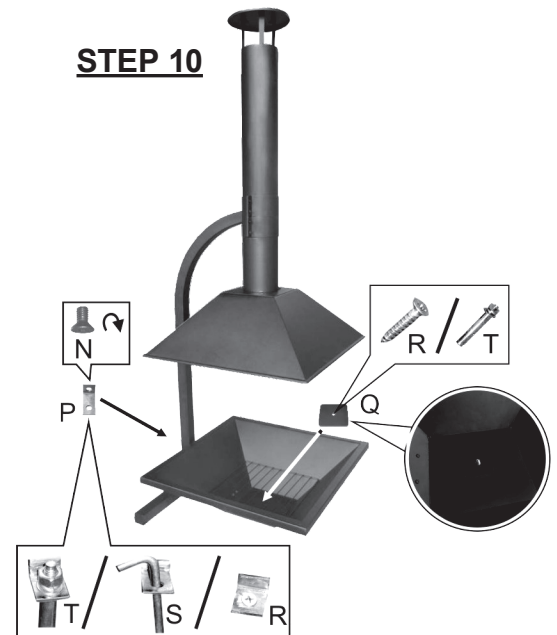
STEP 8



STEP 9



STEP 10



⚠ SAFETY STATEMENTS & WARNINGS ⚠

- FOR OUTDOOR USE ONLY. Never use this product in an enclosed area.
- Always follow local laws and regulations when using wood-burning fire pits and chimineas.
- Exercise the same care and precautions as you would with an open fire.
- Keep unit a safe distance away from house, garage, balconies, or overhangs when in use.
- Use on a level, non-combustible surface.
- Do not use on or near combustible surfaces or structures such as wood decks, dry leaves or grass, mulch, vinyl or wood siding, etc.
- Keep away from all combustible materials including gasoline and other flammable liquids and vapors.
- Never use accelerants such as, but not limited to, gasoline, alcohol, paint thinners, kerosene, as this may cause serious injury or product damage.
- The chiminea becomes very hot when in use; let it completely cool before cleaning or moving.
- Keep out of reach of children.
- Do not overfill or use this unit to burn leaves or trash.
- Avoid using any chiminea during dry or windy conditions.
- Never leave unit unattended while hot or in use.
- Supervise children and pets when the chiminea is in use.
- DO NOT USE CHEMICAL-BASED CLEANERS as this may damage the product and/or ignite a flame during the next use.
- Extinguish the fire properly before leaving. Use a fire extinguisher or a bucket of sand to smother the fire if necessary. DO NOT USE WATER to extinguish hot fires or embers as this may cause serious injury and may damage the product.
- Ashes can remain hot for a long time after fire is extinguished. Dispose of cold ashes properly.
- Ensure the unit is completely cool before covering, failure to do so will damage the cover and the unit.

Any modification or failure to follow the recommended care of the unit will void the product warranty.