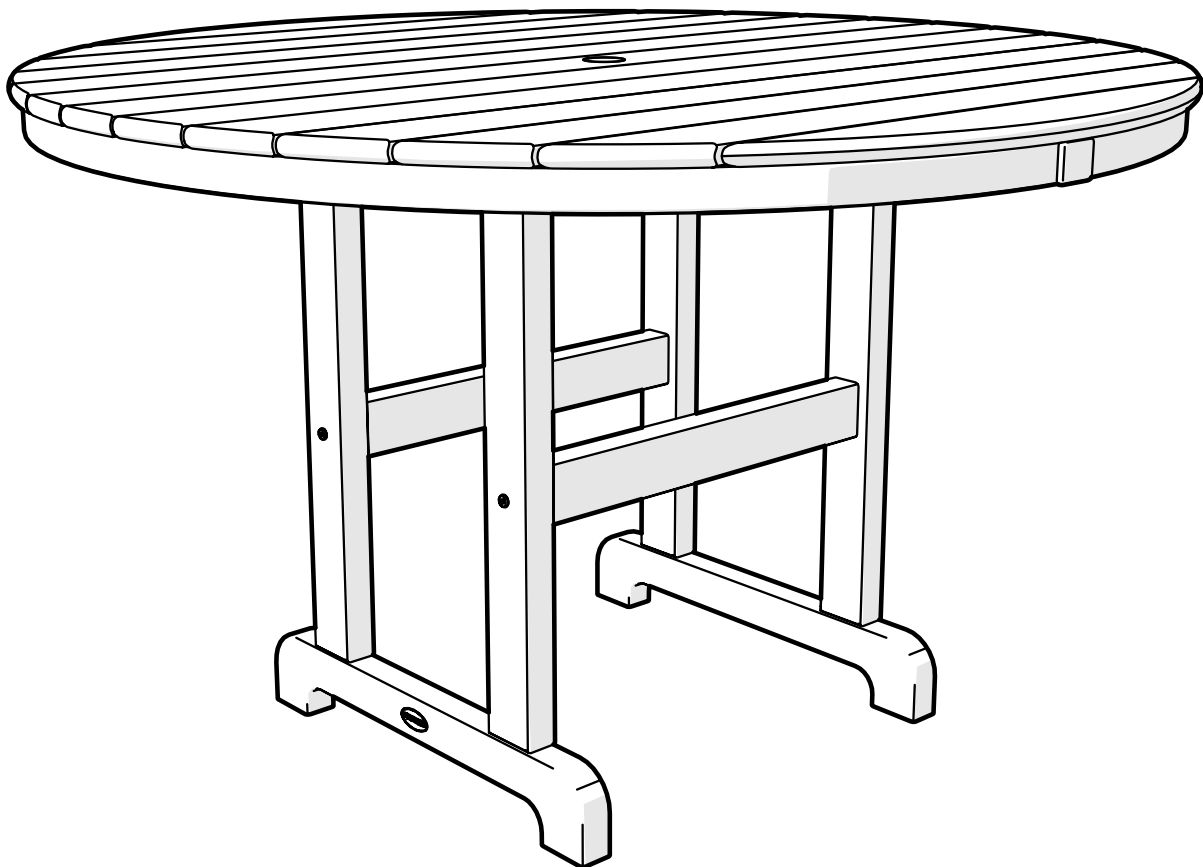


# RT248, RCT248, RRT248, RBT248

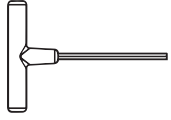
Round 48" Table  
*Assembly Instructions*



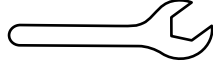


To watch a video of this assembly,  
visit [youtube.com/polywood](https://www.youtube.com/polywood)

### TOOLS

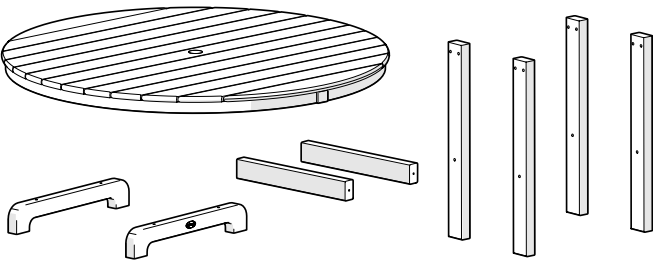


4mm T-handle  
Hex Key (included)

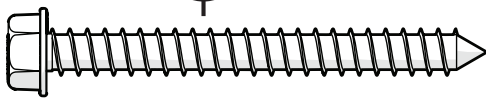


3/8" Wrench  
(not included)

### PARTS

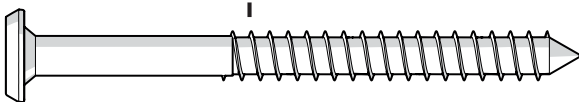


**A** x 8



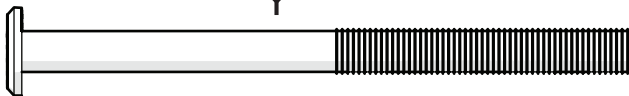
14 X 2.50 HEX WASHER T-A ALCHM

**B** x 4



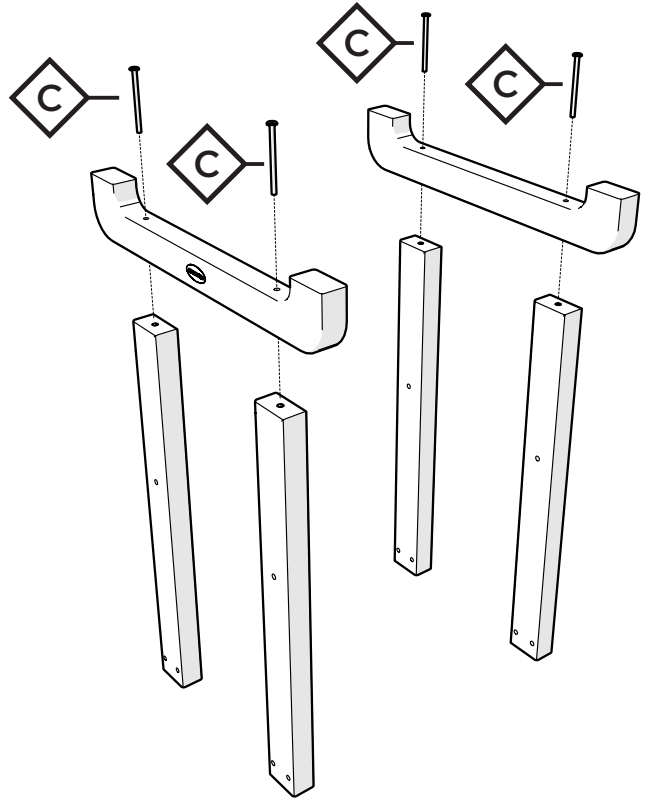
.27 x 3 SOCKET WASHER A

**C** x 4

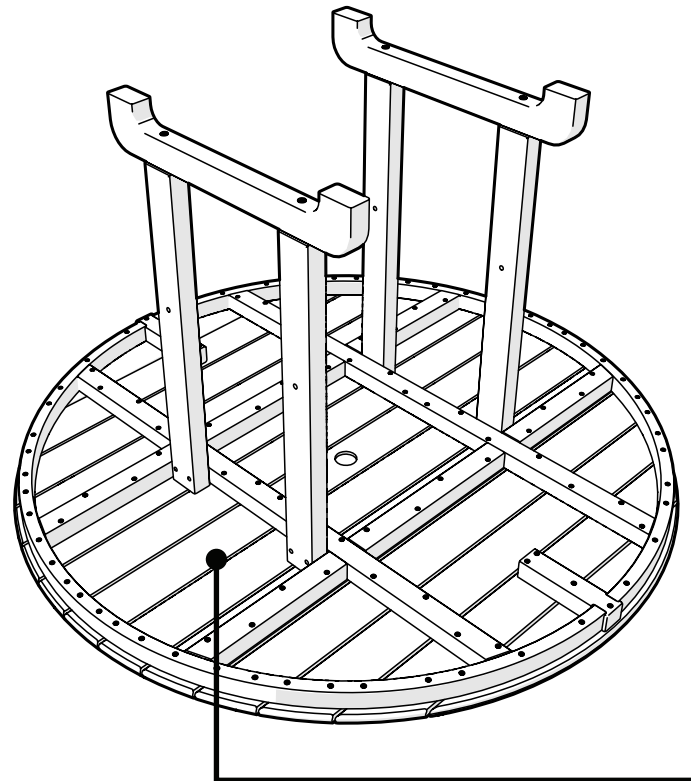


1/4-20 x 3-1/4 WASHER SHCS

**1**



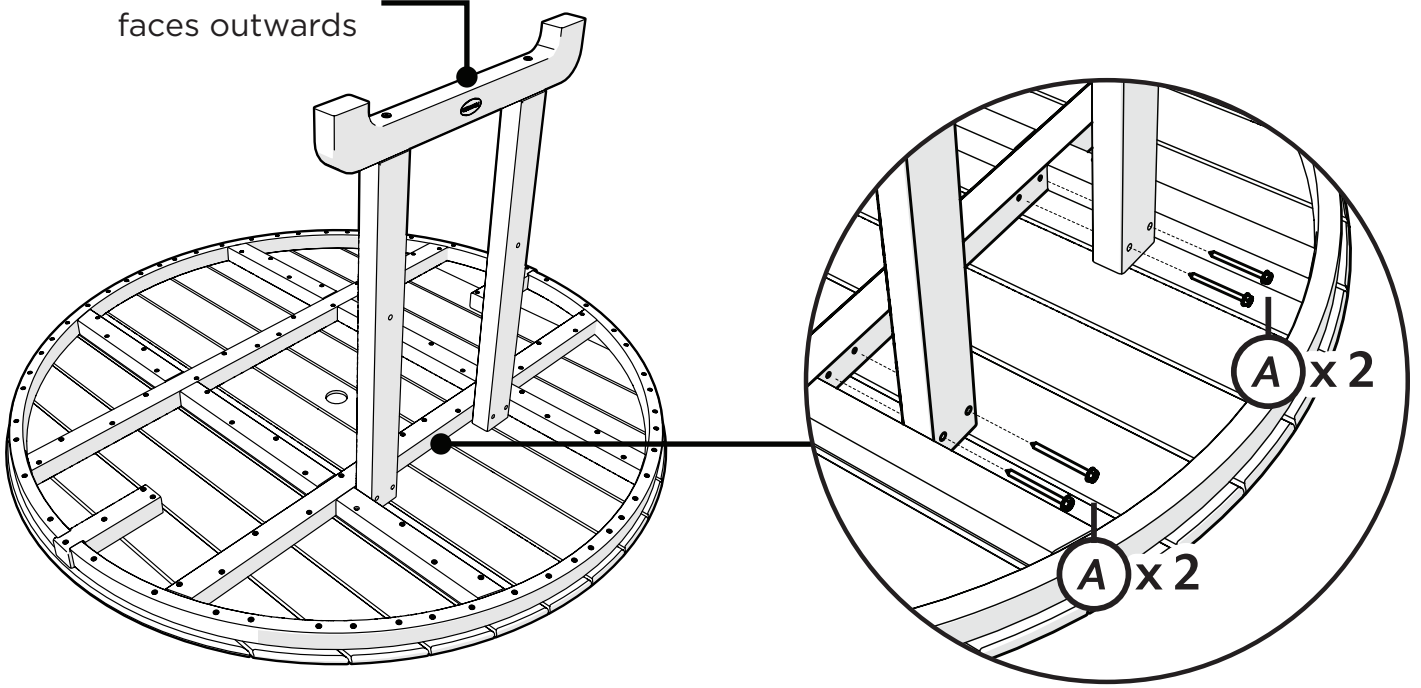
**3**



Something missing? Call (877) 457-3284

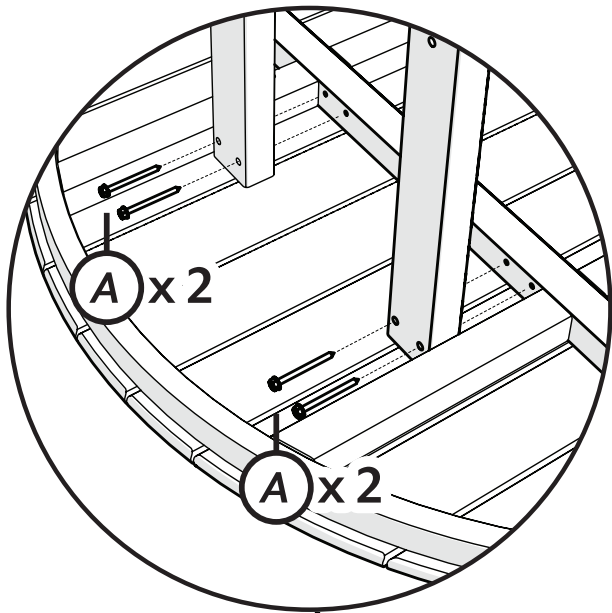
2

Make sure label  
faces outwards

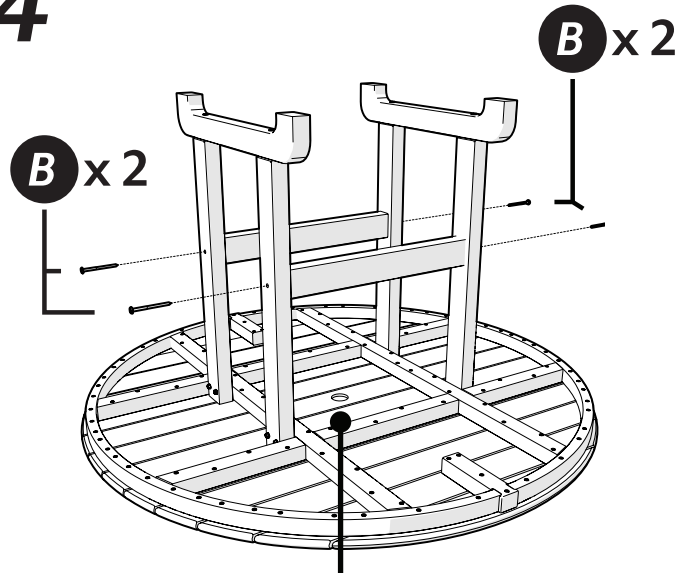


NOTE: Do not over-tighten

NOTE: Do not over-tighten



4



Removable table plug  
included in table

# POLYWOOD®

*All Weather Furnishings*

Join the POLYWOOD® Community  
*Share in the love of outdoor living, recycling, and more...*



POLYWOOD



@POLYWOODINC



[youtube.com/polywood](https://youtube.com/polywood)



POLY-WORLD  
Blog



POLYWOOD



To view our full warranty, please visit the warranty page on our website at [polywoodinc.com/resources](https://polywoodinc.com/resources).

If you have questions or concerns regarding assembly instructions or missing parts, please contact us at (877) 457-3284 or email [support@polywoodinc.com](mailto:support@polywoodinc.com)