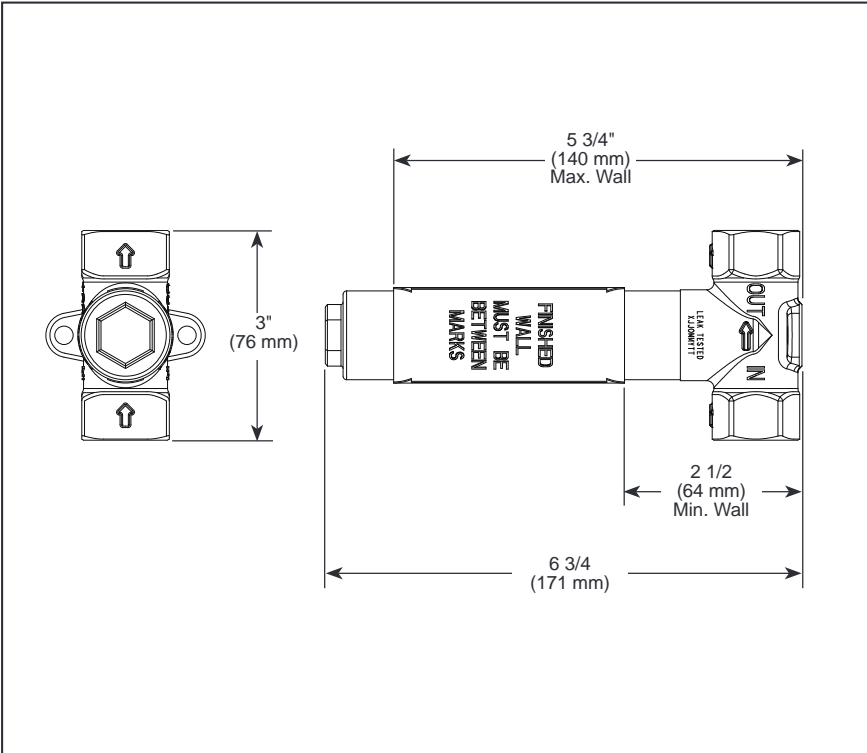


R35600

Submitted Model No.: _____

Specific Features: _____



BRIZO®

SENSORI® CUSTOM SHOWER ROUGH

- Volume Control Rough
- 3/4" Rough-In

STANDARD SPECIFICATIONS

- Forged brass body
- Includes ceramic cartridge assembly
- 90° rotation
- Integrated brass stem
- Solid brass extension sleeve
- Provides precise handle alignment
- Integrated friction bearing provides smooth handle operation
- All parts are replaceable from the front
- Recommended working pressure of 45-80 psi
- Volume control flows up to 16.2 gpm @60 psi
- Maximum 8.2 gpm @60 psi per volume control when paired with Sensori Thermostatic trim
- Volume controls are required for every outlet and every set of body sprays (up to max flow)
- Volume control only. Must be used with separate temperature control device.
- No extension kit required, rough accommodates up to 3 1/4" wall thickness.

WARRANTY

- Lifetime limited warranty on parts (other than electronic parts and batteries) and finishes; or, for commercial users, for 5 years from date of purchase.
- 5 year limited warranty on electronic parts (other than batteries); or, for commercial users, for 1 year from the date of purchase. No warranty is provided on batteries.

COMPLIES WITH:

- ASME A112.18.1 / CSA B125.1

Brizo Kitchen & Bath Company reserves the right (1) to make changes in specifications and materials, and (2) to change or discontinue models, both without notice or obligation. Dimensions are for reference only. See current full-line price book or www.brizo.com for finish options and product availability.