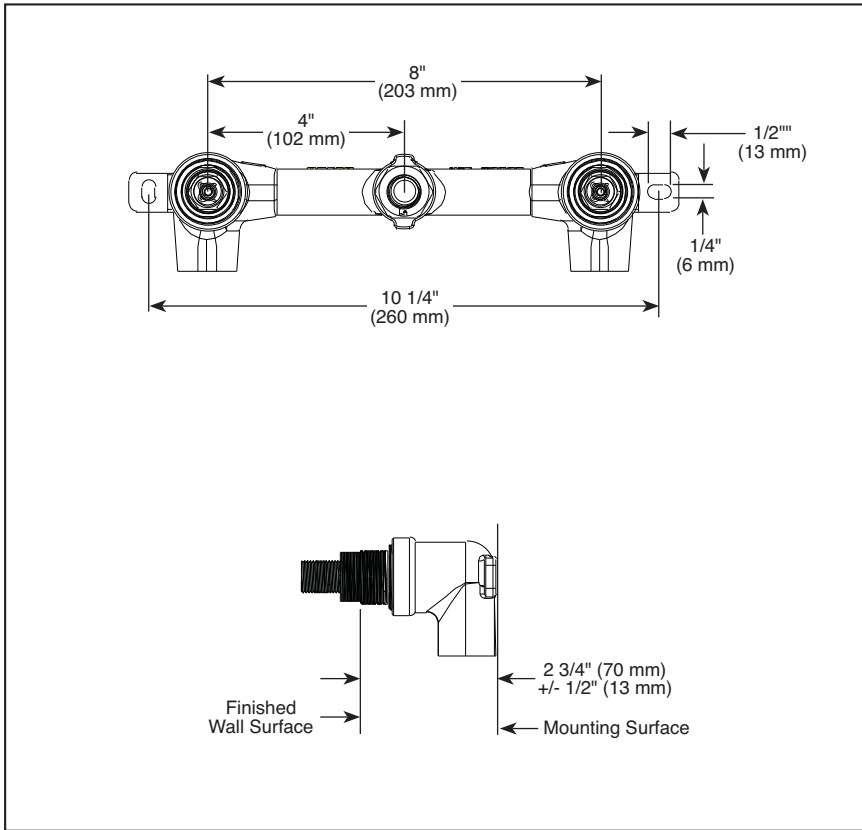


Submitted Model No.: _____

Specific Features: _____



TWO HANDLE WALL MOUNT ROUGH

- R3500-WL
- 1/2" NPT Rough-In

STANDARD SPECIFICATIONS

- 1/2" NPT rough-in.
- Lead free brass body.
- Must order trim separately.
- Product ships with valves and plasterguards.

WARRANTY

- Lifetime limited warranty on parts (other than electronic parts and batteries) and finishes: or, for commercial users, for 5 years from date of purchase.
- 5 year limited warranty on electronic parts (other than batteries); or, for commercial users, for 1 year from the date of purchase. No warranty is provided on batteries.



COMPLIES WITH:

- ASME A112.18.1 / CSA B125.1

Delta reserves the right (1) to make changes in specifications and materials, and (2) to change or discontinue models, both without notice or obligation. Dimensions are for reference only. See current full-line price book or www.deltafaucet.com for finish options and product availability.

DSP-B-R3500-WL Rev. A



55 E. 111th Street, Indianapolis, Indiana 46280
 350 South Edgeware Road, St. Thomas, ON N5P 4L1
 © 2013 Masco Corporation of Indiana