

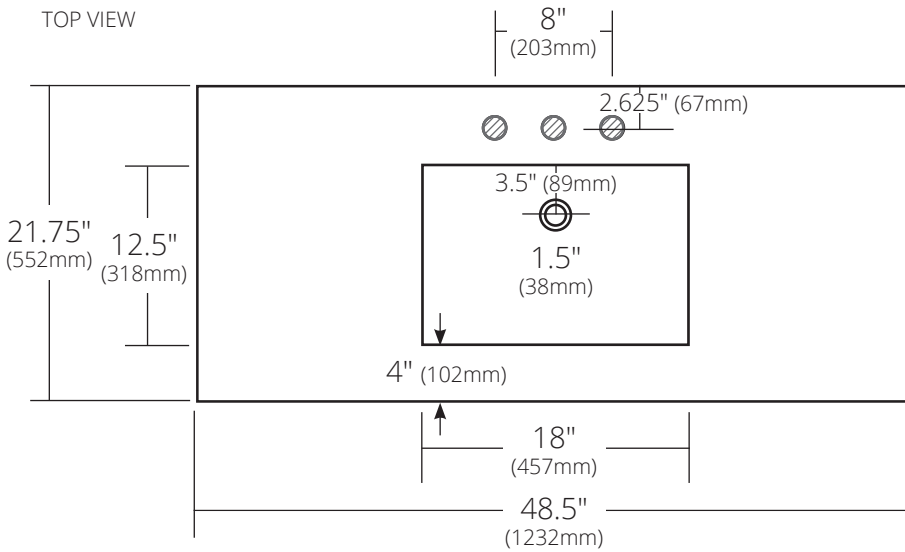
SPECIFICATIONS

# 48" PALOMAR VANITY TOP WITH INTEGRAL SINK

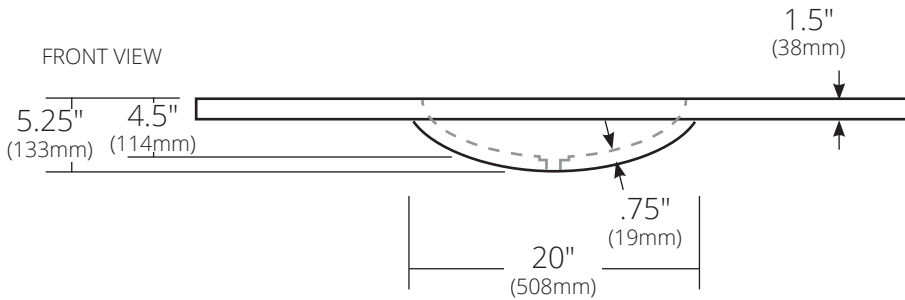
NativeStone® Collection



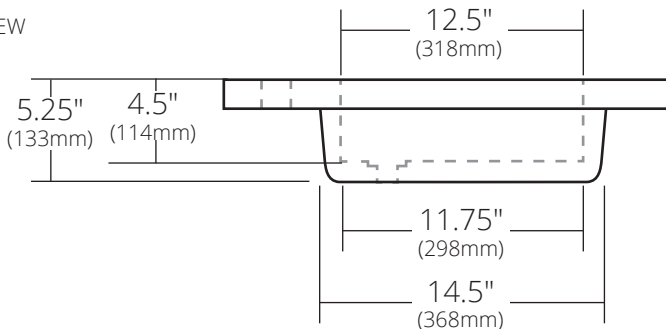
TOP VIEW



FRONT VIEW



SIDE VIEW



- **8" Faucet Spread**  
 NSVNT48-A Ash  
 NSVNT48-P Pearl  
 NSVNT48-S Slate  
 NSVNT48-E Earth

- **Single Faucet Hole**  
 NSVNT48-A1 Ash  
 NSVNT48-S1 Slate  
 NSVNT48-P1 Pearl  
 NSVNT48-E1 Earth

**PRODUCT DETAILS**

- 48.5" x 21.75" x 5.25" OD (1232mm x 552mm x 133mm)
- Basin 18" x 12.5" x 4.5" (457mm x 318mm x 114mm)
- 1.5" (38mm) drain opening
- Pre-drilled for 8" (203mm) faucet spread or single faucet hole
- Handcrafted from sustainable NativeStone®
- Sealed with impermeable nano sealer

**COORDINATING PRODUCTS**

- Drains: DR120, DR130 or DR150
- NativeStone® Sealer

**STANDARDS COMPLIANCE**

- UPC/cUPC compliant
- **ADA COMPLIANT**

**IMPORTANT**

Do NOT use tape or other adhesives on NativeStone® as it may remove the sealer.

Due to the handcrafted nature of this product, it will vary in finish, texture, and other details. Dimensions may vary up to .25" (6mm).