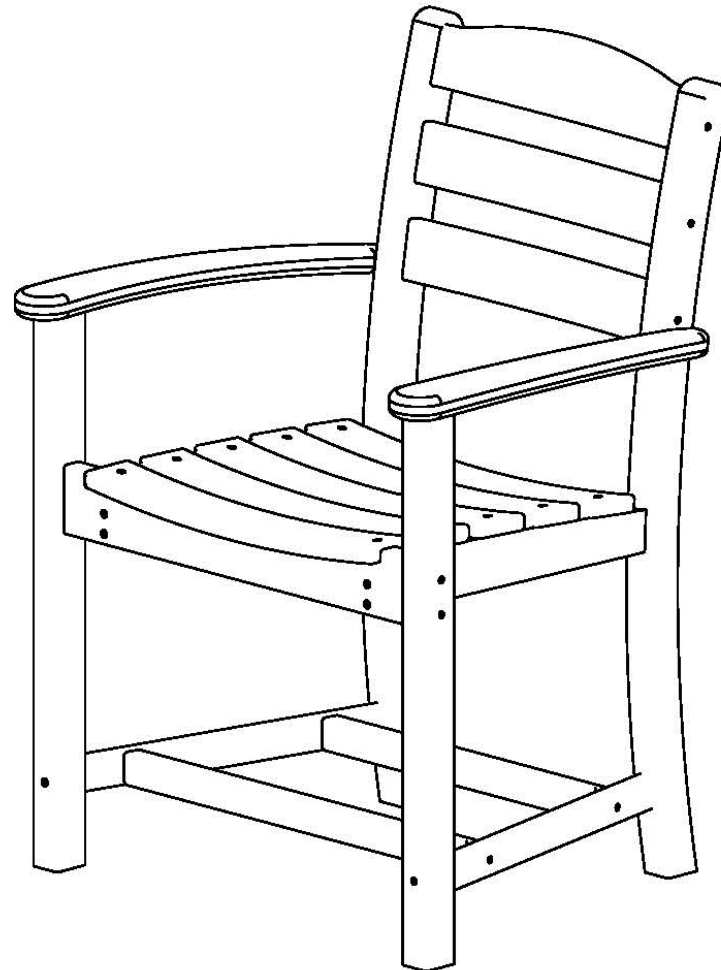




Model: TD200

### Features

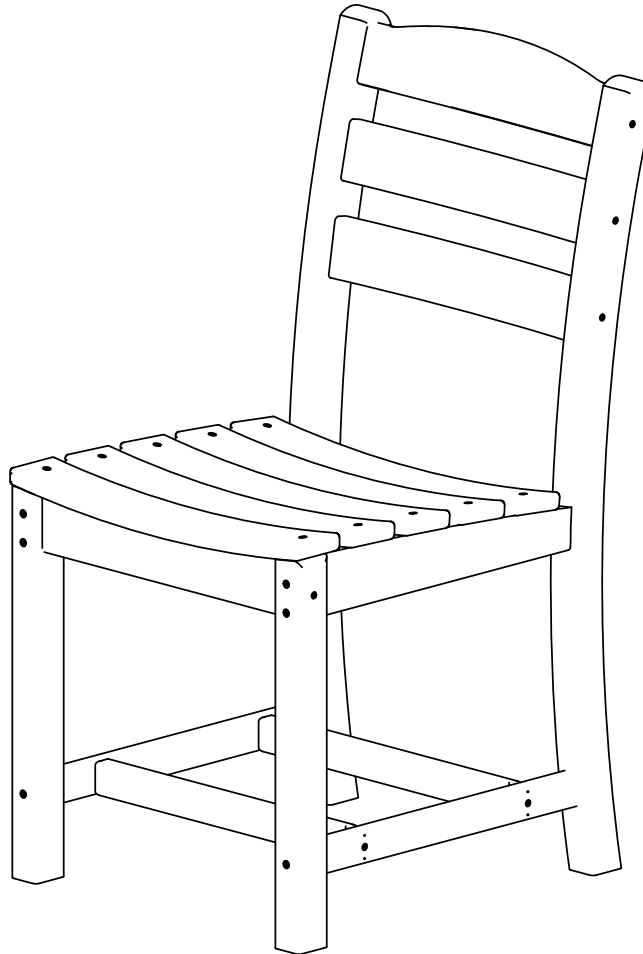
1. No assembly required



Model: TD100, TD100V2

**Features**

1. No assembly required





All Weather Furnishings

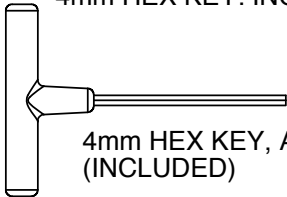
Models: RT248, RCT248, RRT248, RBT248

- (1) Table top
- (4) Leg
- (2) Foot
- (2) Brace
- (1) Hardware pack

### TOOLS NEEDED

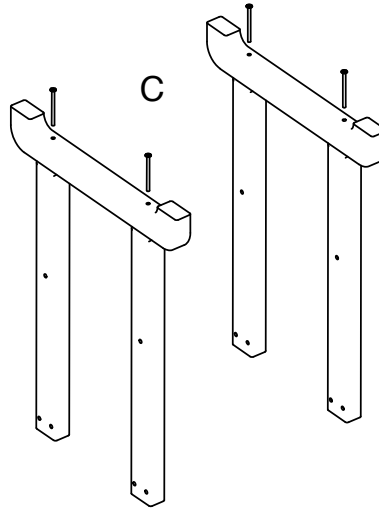


4mm HEX KEY: INCLUDED

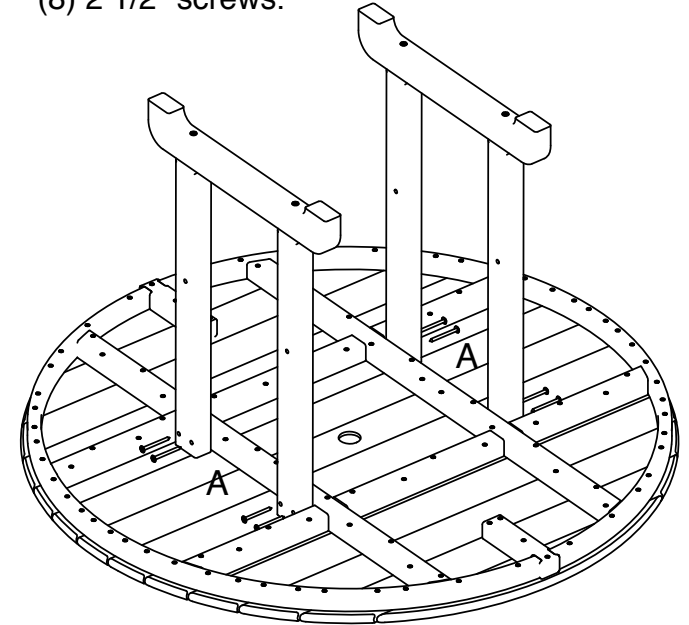


4mm HEX KEY, ALLEN, T-HANDLE (INCLUDED)

**Step 1**  
Attach feet to legs using (4) 3 1/4" Chair bolts.

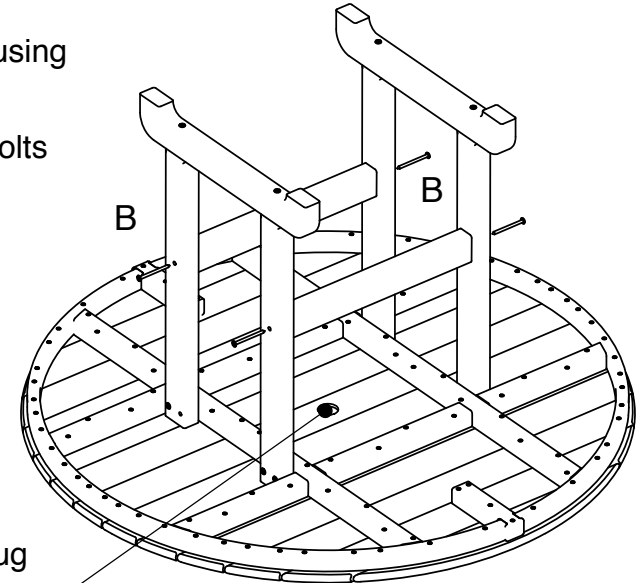


**Step 2**  
Lay the table top on a flat surface. Attach the leg assemblies to the table top using (8) 2 1/2" screws.



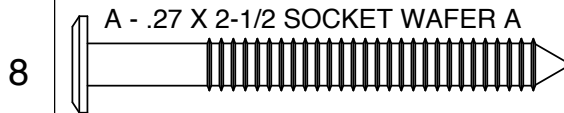
**Step 3**  
Attach braces to leg assemblies using (4) 3" screws.

Set table upright and tighten all bolts



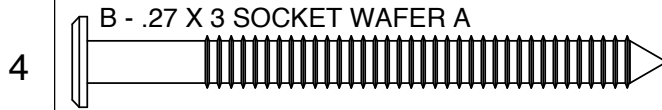
Removable table plug included in table

Qty. Description



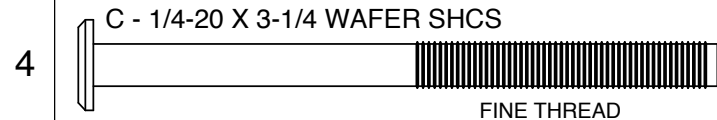
8

A - .27 X 2-1/2 SOCKET WAFER A



4

B - .27 X 3 SOCKET WAFER A



4

C - 1/4-20 X 3-1/4 WAFER SHCS

FINE THREAD

# POLYWOOD®

*All Weather Furnishings*

Join the POLYWOOD® Community

*Share in the love of outdoor living, recycling, and more...*



POLYWOOD



@POLYWOODINC



[youtube.com/polywood](https://youtube.com/polywood)



POLY-WORLD  
Blog



POLYWOOD



To view our full warranty, please visit the warranty page on our website at [polywoodinc.com/resources](https://polywoodinc.com/resources).

If you have questions or concerns regarding assembly instructions or missing parts, please contact us at (877) 457-3284 or email [support@polywoodinc.com](mailto:support@polywoodinc.com)

# POLYWOOD®

*All Weather Furnishings*

Join the POLYWOOD® Community

*Share in the love of outdoor living, recycling, and more...*



POLYWOOD



@POLYWOODINC



[youtube.com/polywood](https://youtube.com/polywood)



POLY-WORLD  
Blog



POLYWOOD



To view our full warranty, please visit the warranty page on our website at [polywoodinc.com/resources](https://polywoodinc.com/resources).

If you have questions or concerns regarding assembly instructions or missing parts, please contact us at (877) 457-3284 or email [support@polywoodinc.com](mailto:support@polywoodinc.com)