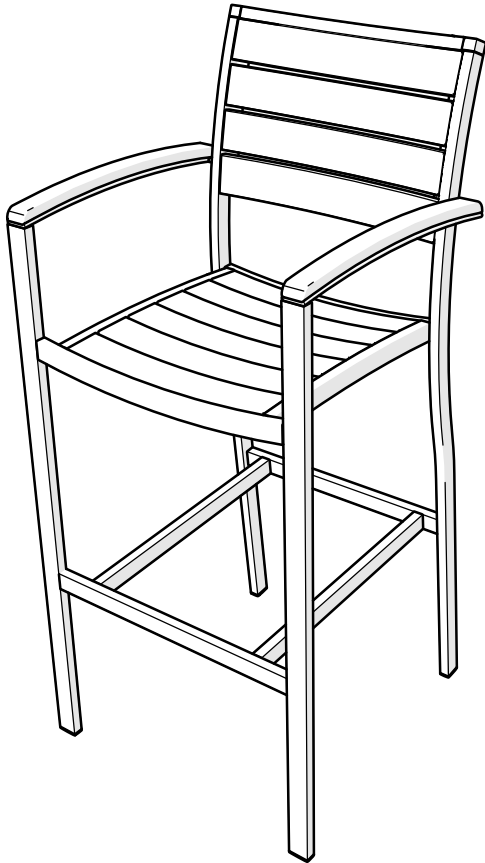


POLYWOOD

Assembly Instructions



NO ASSEMBLY REQUIRED

A202
Euro
Bar Arm Chair



..... **20-Year Warranty**

To view our full warranty, please visit
polywoodoutdoor.com/warranty

Easily register your product using
one of the methods below:

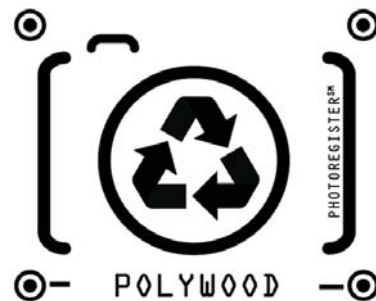
Text POLYWOOD to 71403
Receive a link to register online

— or —

Register on our website
register.polywoodoutdoor.com

— or —

Send a Picture
Take a photo of the icon below and
text it to 71403 (US only)





..... Having Trouble?

If you have questions or concerns regarding assembly instructions or missing parts, please contact us at **(833) 665-6300** or email support@polywoodoutdoor.com



..... Share your space

We love to see where our furniture ends up — snap a pic and share it on Instagram or Facebook!
#polywood



..... Watch & Learn

For assembly videos and more, visit [youtube.com/polywood](https://www.youtube.com/polywood)



..... Cleaning Tips

Even POLYWOOD gets dirty — here are some ways to help keep it clean:

For a quick clean:

Simply wipe down with soap and water.

For a deeper clean:

You'll need:

- » 1/3 bleach and 2/3 water solution
- » clean cloth
- » soft bristle brush

Wipe on solution with your cloth and let it sit on the lumber for a few minutes (this will not affect the color). Then, loosen any dirt and debris that may catch in surface grooves with a soft bristle brush; hose down to rinse.

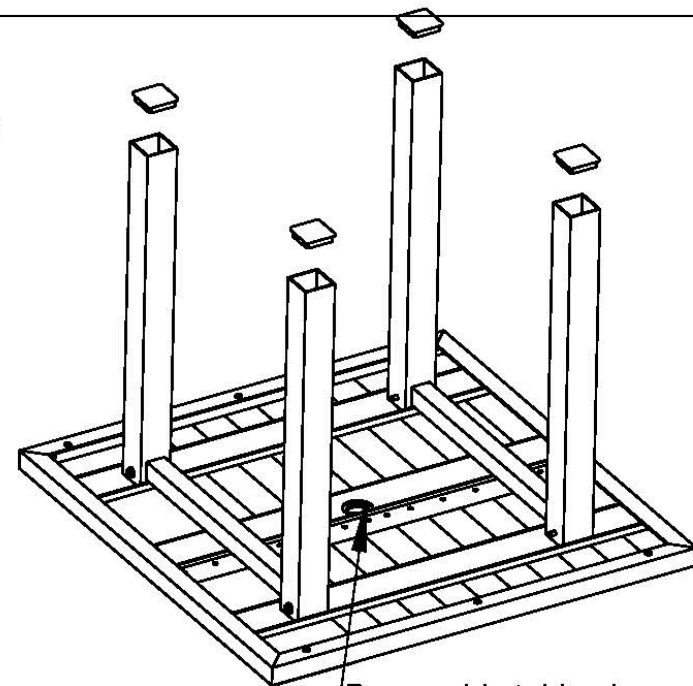
Model: AT36, ATR36, ATB36, AT36-NH

- (1) Table top with slats
- (2) Leg Frames
- (1) Hardware Pack

TOOLS NEEDED

- (2) 1/2" Sockets or wrenches

Step 1
Slide legs over blocks



Removable table plug included with table assembly. (Exclude NH Models)

Step 2
Attach legs to blocks using hardware configuration shown below

Qty.	Description
4	5/16-18 X 3 HEX CAP SCREW
4	5/16-18 NYLOCK NUT
8	5/16 X 3/4 OD FLAT WASHER

