

Ceiling Fan Installation Manual



P2501

30-YEAR LIMITED WARRANTY

Progress Lighting fan motors are warranted to the END USER to be free of electrical and/or mechanical defects for a period of 30 (thirty) years from date of sale. Pull chain switches, reverse switches, capacitors and metal finishes are warranted for a period of 1 year. Warping of wooden or plastic blades is not covered by this warranty.

The END USER has the option of returning the defective fan to the place of purchase during the first 30 days for a replacement. After 30 days, the purchaser **MUST** contact Progress Lighting for repair or replacement. The END USER also bears the responsibility for all costs in the removal, shipping and reinstallation of fans or parts for repair or replacement.

Progress Lighting will not assume liability or responsibility for damages (including incidental or consequential) caused by the improper installation or operation of the unit or its component parts, or by the failure of supporting hardware not supplied by Progress Lighting. This warranty is given in lieu of all other guarantees, whether expressed or implied, and is voided in cases of abuse, misuse or improper handling, negligence, shipping damage, unauthorized repairs (made or attempted) or unusual application.

Some states do not allow limitations on how long an implied warranty lasts or the exclusion or limitations of incidental or consequential damages, so the above limitations and exclusions may not apply to you. This warranty gives you specific rights and you may have other rights which vary from state to state.

Date Purchased _____

Store Purchased _____

Model No. 52-ANT

Serial No. _____

Vendor No. 5523

785247 114498

785247 114474

785247 114481

785247 114504

785247 115020

785247 122899

785247 250110

785247 250127

785247 148011

UPC _____



30-YEAR LIMITED WARRANTY

Safety Rules	Page 1
Unpacking Your Fan	Page 2
Installing Your Fan	Page 3
Operating Your Fan	Page 10
Care of Your Fan	Page 11
Troubleshooting	Page 12
Specifications.....	Page 13

Table of Contents

READ AND SAVE THESE INSTRUCTIONS

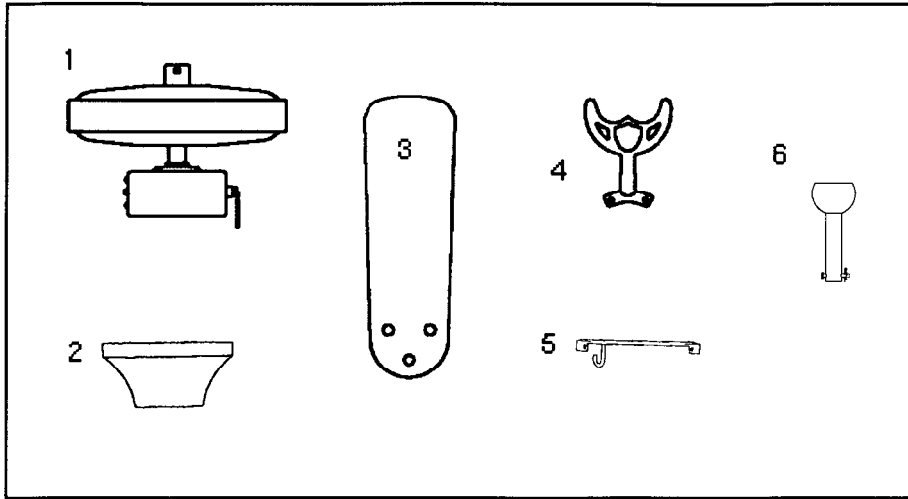
1. To reduce the risk of electric shock, insure electricity has been turned off at the circuit breaker or fuse box before beginning.
 2. All wiring must be in accordance with the National Electrical Code ANSI/NFPA 70-1999 and local electrical codes. Electrical installation should be performed by a qualified licensed electrician.
 3. **WARNING:** To reduce the risk of electrical shock and fire, do not use this fan with any solid-state fan speed control device.
 4. **CAUTION:** To reduce the risk of personal injury, use only the screws provided with the outlet box.
 5. The outlet box and support structure must be securely mounted and capable of reliably supporting a minimum of 35 pounds. Use only UL Listed outlet boxes marked "FOR FAN SUPPORT."
- WARNING**

TO REDUCE THE RISK OF FIRE, ELECTRIC SHOCK OR PERSONAL INJURY, MOUNT FAN TO OUTLET BOX MARKED ACCEPTABLE FOR FAN SUPPORT WITH THE SCREWS PROVIDED WITH THE OUTLET BOX.
6. The fan must be mounted with a **minimum of 7 feet clearance** from the trailing edge of the blades to the floor.
 7. Do not operate reversing switch while fan blades are in motion. Fan must be turned off and blades stopped before reversing blade direction.
 8. Avoid placing objects in the path of the blades.
9. To avoid personal injury or damage to the fan and other items, be cautious when working around or cleaning the fan.
 10. Do not use water or detergents when cleaning the fan or fan blades. A dry dust cloth or lightly dampened cloth will be suitable for most cleaning.
 11. After making electrical connections, spliced conductors should be turned upward and pushed carefully up into outlet box. The wires should be spread apart with the grounded conductor and the equipment-grounding conductor on one side of the outlet box.
 12. Electrical diagrams are for reference only. Light kits that are not packed with the fan must be UL Listed and marked suitable for use with the model fan you are installing. Switches must be UL General Use Switches. Refer to the instructions packaged with the light kits and switches for proper assembly.
- WARNING**

TO REDUCE THE RISK OF PERSONAL INJURY, DO NOT BEND THE BLADE BRACKETS (ALSO REFERRED TO AS "FLANGES") DURING ASSEMBLY OR AFTER INSTALLATION. DO NOT INSERT OBJECTS IN THE PATH OF THE BLADES.
- WARNING**

THIS PRODUCT CONTAINS CHEMICALS KNOWN TO THE STATE OF CALIFORNIA TO CAUSE CANCER, BIRTH DEFECTS AND/OR OTHER REPRODUCTIVE HARM. THOROUGHLY WASH HANDS AFTER INSTALLING, HANDLING, CLEANING, OR OTHERWISE TOUCHING THIS PRODUCT.

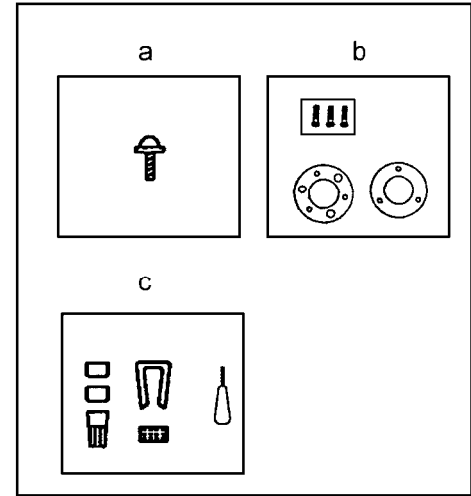
1. Safety Rules



Unpack your fan and check the contents. You should have the following items:

1. Fan Motor Assembly
2. Canopy
3. Blades (5)
4. Blade Bracket Set (5)
(with blade bracket screws pre-installed)

5. Mounting Plate (located inside canopy)
6. Ball/Downrod Assembly (1)
(with bolt and clevis pin pre-attached)



- a. **Blade attachment hardware**
(15 washer head screws)
- b. **Mounting hardware** (1 rubber gasket, 1 metal gasket, 3 screws & lock-washers)
- c. **Electrical hardware & Balancing Kit**
(3 plastic wire connectors, 1 pull chain, blade balancing kit).

IMPORTANT

PLEASE REMOVE RUBBER MOTOR STOPS ON THE BOTTOM OF THE FAN BEFORE INSTALLING BLADES OR TESTING MOTOR

Unpacking Your Fan 2.

Tools Required

Phillips screw driver, straight slot screw driver, adjustable wrench, step ladder, and wire cutters.

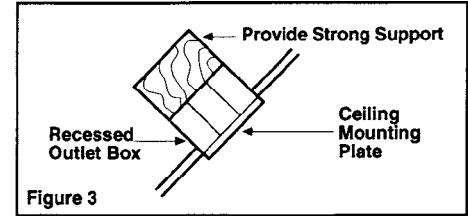
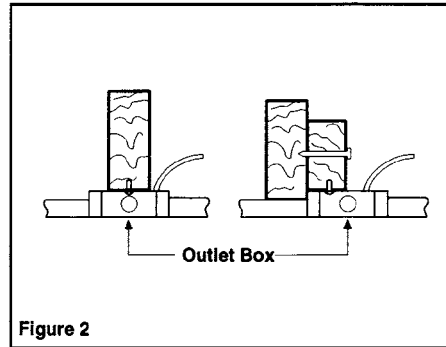
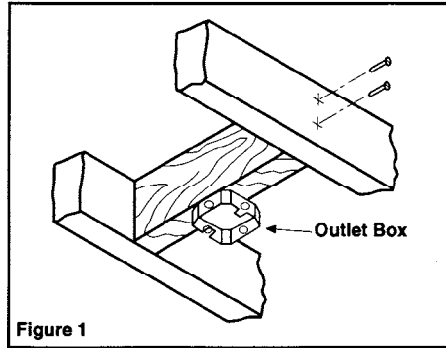
Mounting Options

If there isn't an existing mounting box, then read the following instructions. Disconnect the power by removing fuses or turning off circuit breakers.

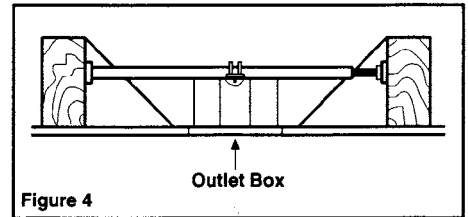
Secure the outlet box directly to the building structure. Use appropriate fasteners and building materials. The outlet box and its support must be able to fully support the moving weight of the fan (at least 35 lbs.). Do not use plastic outlet boxes.

WARNING
TO REDUCE THE RISK OF FIRE, ELECTRIC SHOCK, OR OTHER PERSONAL INJURY, MOUNT FAN ONLY TO AN OUTLET BOX MARKED ACCEPTABLE FOR FAN SUPPORT AND USE THE MOUNTING SCREWS PROVIDED WITH THE OUTLET BOX. OUTLET BOXES COMMONLY USED FOR THE SUPPORT OF LIGHTING FIXTURES MAY NOT BE ACCEPTABLE FOR FAN SUPPORT AND MAY NEED TO BE REPLACED. CONSULT A QUALIFIED ELECTRICIAN IF IN DOUBT.

Figures 1, 2, and 3 are examples of different ways to mount the outlet box.



Note: You may need a longer down-rod to maintain proper blade clearance when installing on a steep, sloped ceiling. **The maximum angle allowable is 45°.**



To hang your fan where there is an existing fixture but no ceiling joist, you may need an installation hanger bar as shown in Figure 4 (available at your Progress Lighting Retailer).

3. Installing Your Fan

Hanging the Fan

REMEMBER to turn off the power. Follow the steps below to hang your fan properly.

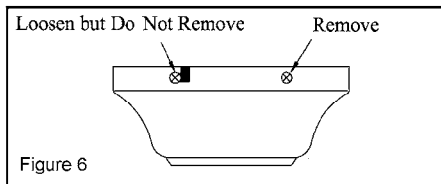
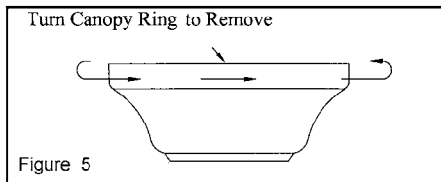
NOTE: This ceiling fan is supplied with **two types of hanging assemblies**; the standard ceiling installation using the downrod with ball and socket mounting, and the “close-to-ceiling” mounting. The “close-to-ceiling” mounting is recommended in rooms with less than 8-foot ceilings or in areas where additional space is desired from the floor to the fan blades. When using standard downrod installation, the distance from the ceiling to the bottom of the fan blades will be approximately 12 inches. The “close-to-ceiling” installation reduces the distance from the ceiling to the bottom of the fan blades to approximately 9 inches.

Once you have decided which ceiling installation you will use, proceed with the following instructions. Where necessary, each section of the instructions will note the different procedures to follow for the two types of installation.

OPTION 1: STANDARD CEILING MOUNTING

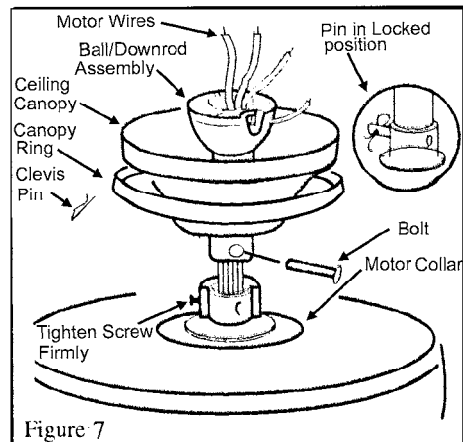
1. Remove the canopy ring from the canopy by turning the ring to the right until it unlocks (Figure 5).
2. Remove the mounting plate from the canopy by loosening the four screws on the top of the canopy. Remove the two non-slotted screws and loosen the slotted screws. This will enable you to remove the hanger bracket (Figure 6).

3. Remove the bolt and the clevis pin from the downrod assembly.
4. Route the wires exiting the top of the fan motor through the canopy ring, canopy and then through the ball/downrod assembly (Figure 7).
5. Loosen, but do not remove the 2 set screws on the collar on the top of the motor housing.
6. Align the holes at the bottom of the downrod with holes in the collar on top of the motor housing (Figure 7).



Carefully insert the bolt through the holes in the collar and downrod. Be careful not to jam the bolt against the wiring inside the downrod. Insert clevis pin and bend to ensure security, as noted in the circle inset of Figure 7.

7. Tighten the two screws on the collar on the top of the motor housing (Figure 7).



WARNING
FAILURE TO PROPERLY INSTALL CLEVIS PIN AS NOTED IN STEP 6 COULD RESULT IN FAN LOOSENING AND POSSIBLY FALLING.

OPTION 2: CLOSE-TO-CEILING MOUNTING

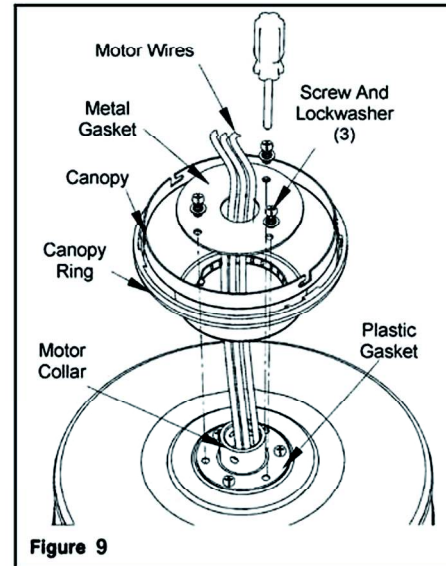
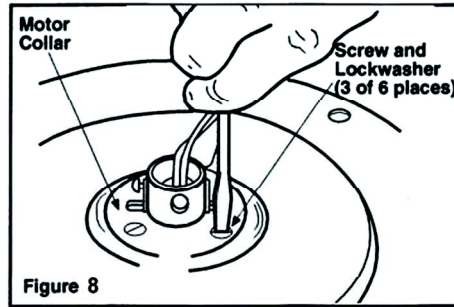
1. Remove the canopy ring from the canopy by turning the ring to the right until it unlocks (Figure 5).
2. Remove the mounting plate from the canopy by loosening the four screws on the top of the canopy. Remove the two non-slotted screws and loosen the slotted screws. This will enable you to remove the hanger bracket (Figure 6).

3. Remove three of the six screws and lockwashers (every other one) securing the motor collar to the top of the fan motor housing (Figure 8).

4. Route the wires exiting the top of the fan motor through the plastic gasket, canopy ring, canopy and the metal gasket, place the plastic gasket over the remaining three screws, place the canopy ring, canopy and the metal gasket over the motor collar at the top of the fan motor (Figure 9).

5. Align the three mounting screw holes on the metal gasket with the holes on the motor collar at the top of the fan motor and fasten, using the three screws and lockwashers provided with metal gasket.

6. Tighten the three mounting screws securely.



Installing Fan to the Electrical Box

1. Pass the 120-volt supply wires through the center hole in the ceiling mounting plate as shown in Fig.10.
2. Install the ceiling mounting plate on the electrical box by using the mounting screws provided with the electrical box. When using the close-to-ceiling mounting, it is important that the mounting plate be level. If necessary use leveling washers (not supplied) between the mounting plate and electrical box. Note that the flat side of the mounting plate is toward the electrical box. (Fig.10)
3. Tighten the two screws on the electrical box securely.
4. Carefully lift the fan assembly up to the ceiling mounting plate and hang the fan on the hook provided by utilizing one of the holes at the outer rim of the ceiling canopy (Fig. 11a, 11b).

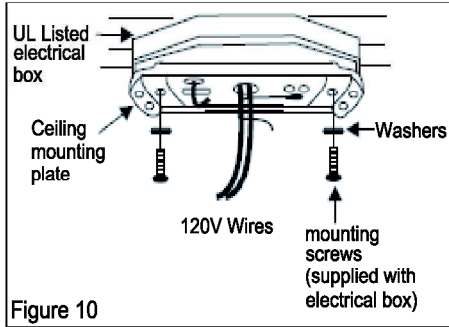


Figure 10

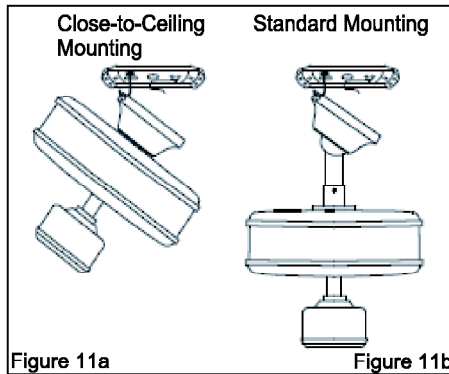


Figure 11a

Figure 11b

CAUTION: WHEN MOUNTING THE FAN ON A SLOPED CEILING, THE STANDARD BALL / DOWNROD MOUNTING METHOD MUST BE USED. MAKE SURE THE MOUNTING PLATE SLOTS ARE ON THE LOWER SIDE BY SLIDING THE MOUNTING PLATE FROM THE TOP DOWN.

WARNING: THE HOOK AS SHOWN IN FIG.11a,11b IS ONLY TO BALANCE FAN WHILE ATTACHING WIRING. FAILURE TO HANG AS SHOWN IN FIG.11a,11b MAY RESULT IN HOOK BREAKING CAUSING THE FAN TO FALL. HOOK MUST PASS FROM INSIDE TO OUTSIDE OF CANOPY.

WARNING: WHEN USING THE STANDARD BALL/DOWNROD MOUNTING, THE TAB IN THE RING AT THE BOTTOM OF THE MOUNTING PLATE MUST REST IN THE GROOVE OF THE HANGER BALL. FAILURE TO PROPERLY SEAT THE TAB IN THE GROOVE COULD CAUSE DAMAGE TO WIRING.

Making the Electrical Connections

REMEMBER to disconnect the power. If you feel that you do not have enough electrical wiring knowledge or experience, have your fan installed by a licensed electrician.

Follow the steps below to connect the fan to your household wiring. Use the wire connecting nuts supplied with your fan. Secure the connectors with electrical tape. Make sure there are no loose strands or connections.

Step 1 Connect the two green fan ground wires, located on the downrod and mounting plate, to the household ground wire. When using Close-to-Ceiling mounting, there is only one green ground lead from the ceiling mounting plate since the ball/downrod assembly is not used.

Step 2 Connect the neutral fan (white) wire to the white neutral household wire.

Step 3 Connect the fan supply (black) wire to the black household supply wire as shown in Figure 12.

Step 4 After connecting the wires, spread them apart so that the green and white wires are on one side of the outlet box and the black wire is on the other side.

Step 5 Turn the wire connecting nuts upward and push the wiring into the outlet box.

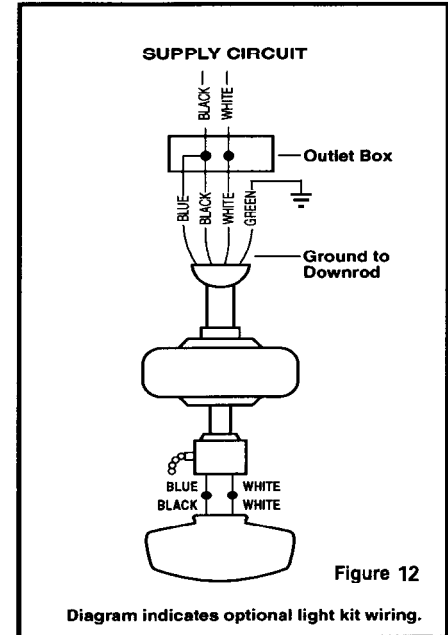
WARNING

TO REDUCE THE RISK OF FIRE OR ELECTRIC SHOCK, DO NOT USE A WALL MOUNTED SOLID STATE SPEED CONTROL WITH THIS FAN. IT WILL PERMANENTLY DAMAGE THE ELECTRONIC CIRCUITRY.

WARNING

EACH WIRE NUT (WIRE CONNECTOR) SUPPLIED WITH THIS FAN IS DESIGNED TO ACCEPT UP TO ONE 12 GAUGE HOUSE WIRE AND TWO WIRES FROM THE FAN. IF YOU HAVE LARGER THAN 12 GAUGE HOUSE WIRING OR MORE THAN ONE HOUSE WIRE TO CONNECT TO THE FAN WIRING, CONSULT AN ELECTRICIAN FOR THE PROPER SIZE WIRE NUTS TO USE.

WARNING
ELECTRICAL DIAGRAMS ARE FOR REFERENCE ONLY. OPTIONAL USE OF ANY LIGHT KIT SHALL BE UL LISTED AND MARKED SUITABLE FOR USE WITH THIS FAN.



Finishing the Fan Installation

STANDARD CELING MOUNTING

1. Carefully lift the canopy up to the mounting plate . Make sure the tab in the ring at the bottom of the canopy is properly seated in the groove in the hanger ball. Align the locking slots of the ceiling canopy with the two screws in the mounting plate. Push up to engage the slots and turn clockwise to lock in place. Immediately tighten the two mounting screws firmly.
2. Install the remaining two mounting screws into the holes in the canopy and tighten firmly.
3. Install the decorative canopy ring by aligning the ring's slots with the screws in the canopy. Rotate the ring counter-clockwise to lock in place.
4. You may now proceed to attaching the fan blades.

CLOSE-TO-CEILING MOUNTING

1. Carefully unhook the fan from the mounting plate and align the locking slots of the ceiling canopy with the two screws in the mounting plate. Push up to engage the slots and turn clockwise to lock in place. Immediately tighten the two mounting screws firmly.
2. Install the remaining two mounting screws into the holes in the canopy and tighten firmly.
3. Install the decorative canopy ring by aligning the ring's slots with the screws in the canopy. Rotate the ring counter-clockwise to lock in place.
4. You may now proceed to attaching the fan blades.

WARNING
LOCKING SLOTS OF CEILING CANOPY ARE PROVIDED ONLY AS AN AID TO MOUNTING. DO NOT LEAVE FAN ASSEMBLY UNATTENDED UNTIL ALL FOUR CANOPY SCREWS ARE ENGAGED AND FIRMLY TIGHTENED.

Attaching the Fan Blades

NOTE: Your fan blades are reversible. Select the blade side finish which best accentuates your decor.

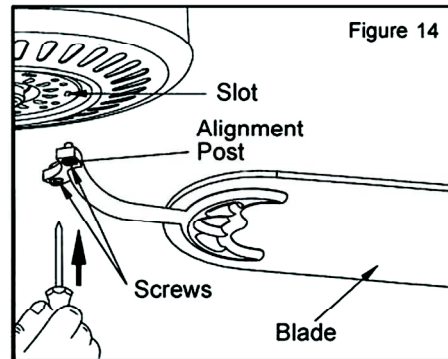
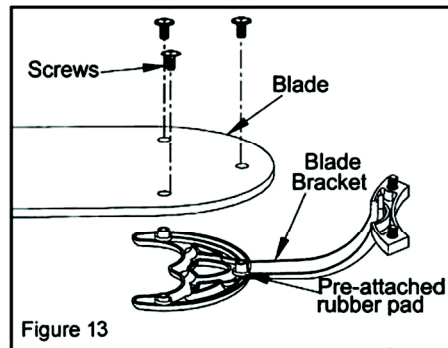
1. Attach blade to blade bracket using the screws as shown in Figure 13. Please note that the rubber washers are pre-attached to the blade bracket. Start a screw into the bracket. Repeat for the two remaining screws.
2. Tighten each screw securely.
3. Fasten the blade assembly to the motor by inserting the alignment post into the slot on the bottom of the motor and tightening the motor screws. Please note that the motor screws are pre-attached into the blade brackets (Figure 14).
4. Repeat steps 1, 2 & 3 for the remaining blades.

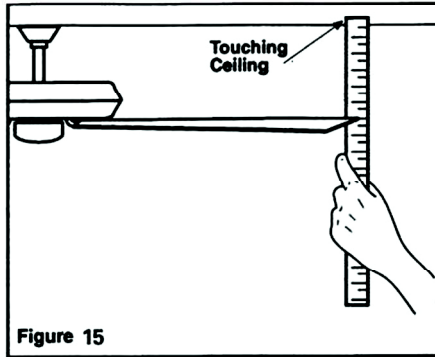
Blade Balancing

All blades are grouped by weight. Because natural woods vary in density, the fan may wobble even though the blades are weight matched. The following procedure should correct most fan wobble. Check after each step.

1. Check that all blade and blade bracket screws are secure.
2. Most fan wobble problems are caused when blade levels are unequal. Check this level by selecting a point on the ceiling above the tip of one of the blades. Measure from a point on the center of each blade to the point on the ceiling. Measure this distance as shown in Figure 15. Rotate the fan until the next blade is positioned for measurement. Repeat for each blade. Measurements deviation should be within 1/8". Run the fan for 10 minutes.

3. Make sure that canopy is tightened securely to ceiling mounting plate, and that the ceiling mounting plate is tightened securely to the electrical box.
4. Interchanging two adjacent blades can redistribute the weight and possibly result in smoother operation.
5. Use the enclosed Blade Balancing Kit if the blade wobble is still noticeable.





NOTE

NOTE: WAIT FOR FAN TO STOP BEFORE REVERSING THE DIRECTION OF BLADE ROTATION.

WARNING

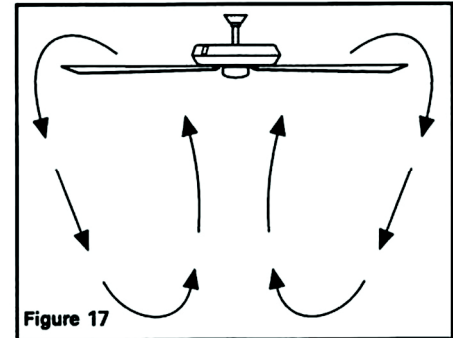
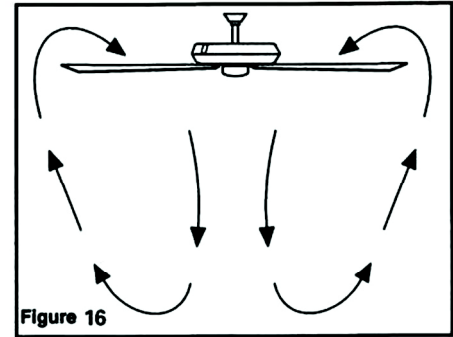
TO REDUCE THE RISK OF PERSONAL INJURY, DO NOT BEND THE BLADE HOLDERS WHILE INSTALLING, BALANCING THE BLADES, OR CLEANING THE FAN. DO NOT INSERT FOREIGN OBJECTS BETWEEN ROTATING FAN BLADES.

Turn on the power and check the operation of the fan. The pull chain controls the fan speed as follows: 1 pull - High, 2 pulls - Medium, 3 pulls - Low and 4 pulls - Off.

Speed settings for warm or cool weather depend on factors such as the room size, ceiling height, number of fans, and so on.

Warm weather – (Forward) A downward air flow creates a cooling effect as shown in Figure 16. This allows you to set your air conditioner on a higher setting without affecting your comfort.

Cool weather – (Reverse) An upward airflow moves warm air off the ceiling area as shown in Figure 17. This allows you to set your heating unit on a lower setting without affecting your comfort.



10. Operating Your Fan

Here are some suggestions to help you maintain your fan.

1. Because of the fan's natural movement, some connections may become loose. **Check the support connections, brackets, and blade attachments twice a year.** Make sure they are secure. **(It is not necessary to remove fan from ceiling.)**

2. Clean your fan periodically to help maintain its new appearance over the years. Do not use water when cleaning. Use only a soft brush or lint-free cloth to avoid scratching the finish. The plating is sealed with a lacquer to minimize discoloration or tarnishing. This could damage the motor, or the wood, or possibly cause an electrical shock.

3. You can apply a light coat of furniture polish to the wood for additional protection and enhanced beauty. Cover small scratches with a light application of shoe polish.

4. **There is no need to oil your fan.** The motor has permanently lubricated sealed ball bearings.

WARNING

MAKE SURE THE POWER IS OFF AT THE ELECTRICAL PANEL BOX BEFORE YOU ATTEMPT ANY REPAIRS. REFER TO THE SECTION, "MAKING ELECTRICAL CONNECTIONS."

11. Care of Your Fan

Problem

Solution

Fan will not start.

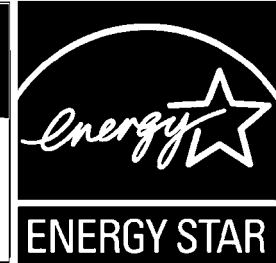
1. Check main and branch circuit fuses or breakers.
2. Check line wire connections to the fan and switch wire connections in the switch housing.
CAUTION: Make sure main power is off.

Fan sounds noisy.

1. Make sure all motor housing screws are snug.
2. Make sure the screws that attach the fan blade bracket to the motor hub are tight.
3. Make sure wire nut connections are not rattling against each other or the interior wall of the switch housing.
CAUTION: Make sure main power is off.
4. Allow a 24-hour “breaking-in” period. Most noises associated with a new fan disappear during this time.
5. If using the Ceiling Fan light kit, make sure the screws securing the glassware are tight. Check that the light bulb is also secure.
6. Make sure the canopy is a short distance from the ceiling.
It should not touch the ceiling.
7. Make sure your ceiling box is secure and rubber isolator pads were used between the hanger bracket and ceiling box.

Troubleshooting 12.

FAN SIZE	FAN SPEED	VOLTS	AIRFLOW CFM	FAN POWER CONSUMPTION (WITHOUT LIGHTS) WATT	AIRFLOW EFFICIENCY (HIGHER IS BETTER) CFM/WATT	N.W.	G.W.	C.F.
52"	LOW	120	1600	9	178	16.2 LBS	18.4 LBS	1.33
	MED.	120	3273	25	130			
	HIGH	120	5182	62	84			



These are approximate measures. They do not include Amps and Wattage used by the light kit.

© 2011 Progress Lighting, Inc.

701 Millennium Blvd.,

Greenville, SC 29607

All Rights Reserved

13. Specifications

GARANTÍA LIMITADA DE 30 AÑOS

Los ventiladores progress lighting garantizan al consumidor estar libres de defectos eléctricos y/o mecánicos por un periodo de 30 años a partir de la fecha de venta. Los interruptores con cadena, los interruptores de inversión, los condensadores y las terminaciones metálicas están garantizadas por un período de 1 año. Las paletas pandeadas de madera o plástico no están cubiertas por esta garantía.

El consumidor tiene la opción de devolver el ventilador defectuoso para su cambio al negocio de adquisición durante los 30 días siguientes. Después de 30 días, el comprador debe contactar progress lighting para la reparación o reemplazo. El consumidor se hará cargo de todos los costos de transporte, expedición y reinstalación de los ventiladores o de las partes para reparar o reemplazar.

Progress lighting no asumirá obligaciones o responsabilidad por daños (incluyendo incidentales o consiguientes) causados por el uso o la instalación impropia de la unidad o de sus partes componentes, o por la falla del equipo de soporte no suministrado por progress lighting . Esta garantía está dada en lugar de todas las otras garantías, sean éstas expresas o implícitas, y es inválida en casos de abuso, uso o manejo incorrectos, tratamiento negligente, daños ocasionados por el transporte, reparaciones no autorizadas (realizadas o tentativas) o aplicación inusual.

Algunos estados no reconocen limitaciones en el término de la garantía implicada o la exclusión o limitación de los daños incidentales o consiguientes, entonces las limitaciones y exclusiones precedentes pueden no ser aplicables a ud. Esta garantía le otorga derechos específicos y ud. Puede tener otros derechos que varíen de estado en estado.

Fecha de compra _____

Lugar de compra _____

No. de modelo _____ 52-ANT

No. de serie _____

No. de vendedor _____ 5523

785247 114498

785247 114474

785247 114481

785247 114504

785247 115020

785247 122899

785247 250110

785247 250127

785247 148011

UPC _____



GARANTÍA LIMITADA DE 30 AÑOS

Reglas de Seguridad	Página 1
Cómo Desembalar Su Ventilador	Página 2
Cómo Instalar Su Ventilador	Página 3
Cómo Operar Su Ventilador	Página 10
Cómo Cuidar Su Ventilador.....	Página 11
Resolución de Problemas.....	Página 12
Especificaciones.....	Página 13

Indice

LEER Y GUARDAR INSTRUCCIONES

1. Para reducir el riesgo de una electrocución, asegurarse de cortar el suministro eléctrico apagando los cortocircuitos o la caja de fusibles, antes de comenzar
2. Todo cableado debe realizarse conforme al Código Nacional de Electricidad "ANSI/ NFPA 70-1999" y los códigos eléctricos locales. La instalación eléctrica deberá ser hecha por un electricista calificado y licenciado.
3. **ADVERTENCIA:** Para reducir el riesgo de un golpe eléctrico e incendio, no usar este ventilador con ningún dispositivo de estado sólido para el control de velocidad del ventilador.
4. **ADVERTENCIA:** Para reducir el riesgo de daño personal, usar solamente los dos tornillos de acero (y arandelas de seguridad) suministrados y montar el ventilador en una caja de distribución designado "aceptable para soportar ventilador".
5. La caja de distribución y el soporte de la estructura del edificio deben estar firmemente instalados y capaces de resistir un mínimo de 35 libras.
6. El ventilador debe ser instalado con un mínimo de 7 pies (218 cm) desde la parte más baja del aspa hasta el piso.
7. No operar el conmutador inversor mientras las aspas estén en movimiento. El ventilador debe ser apagado y detenido antes de invertir el giro de las aspas.
8. Evite colocar objetos que interfiera el giro de las aspas.
9. Para evitar daños personales o daños al ventilador y otros artículos, tener cuidado cuando esté trabajando alrededor o limpiando el ventilador.
10. No usar agua o detergente al limpiar el ventilador o las aspas. Un paño seco o ligeramente húmedo será suficiente para limpiar.
11. Después de hacer las conexiones eléctricas los conductores empalmados, deben ser girados hacia arriba y empujados cuidadosamente adentro de la caja de distribución. Los cables deben ser separados: con el conductor a tierra y el conductor a tierra del equipo en un lado de la caja de distribución.
12. Los diagramas eléctricos son solamente para referencia. Los conjuntos de luces que no son suministrados con el ventilador, deben ser aceptados por las normas U.L. y para uso con el modelo de ventilador que Ud. está instalando. Los interruptores deben ser aprobados por U.L. Consulte las instrucciones suministradas con el conjunto de luces e interruptores por una instalación apropiada.

ADVERTENCIA

PARA REDUCIR EL RIESGO DE INCENDIO, ELECTROCUCIÓN O DAÑO PERSONAL, INSTALAR EL VENTILADOR A UNA CAJA DE DISTRIBUCIÓN MARCADA "ACEPTADA PARA SOPORTAR VENTILADOR" Y USAR LOS TORNILLOS DE MONTAJE SUMINISTRADOS CON LA CAJA DE DISTRIBUCION

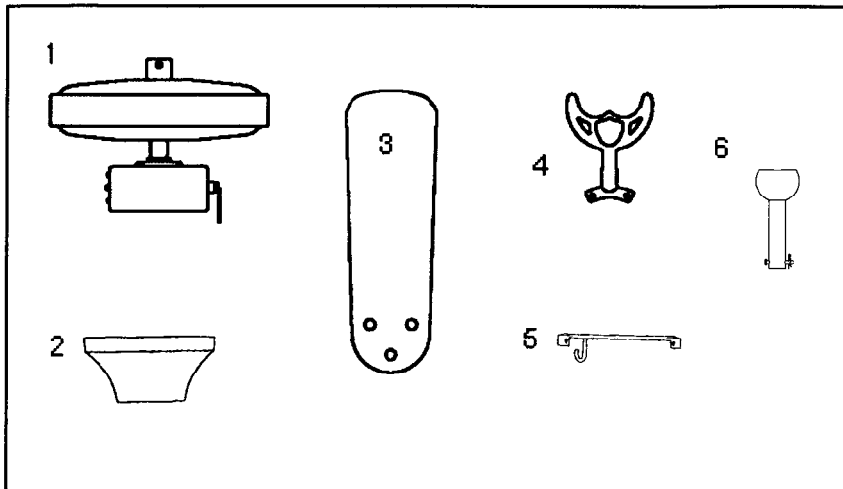
ADVERTENCIA

PARA REDUCIR EL RIESGO DE DAÑOS PERSONALES, NO DOBLE LOS SOPORTES DE LAS ASPAS DURANTE EL ENSAMBLAJE O DESPUES DE LA INSTALACION. NO INTRODUZCA OBJETOS

ADVERTENCIA

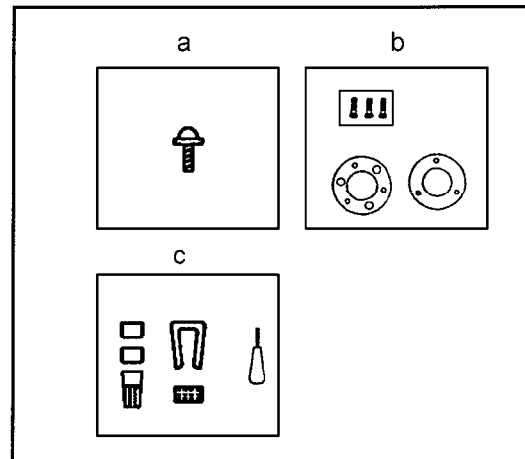
ESTE PRODUCTO CONTIENE SUBSTANCIAS QUÍMICAS QUE SEGÚN EL ESTADO DE CALIFORNIA CAUSA CÁNCER, DEFECTOS DE NACLMIENTO Y (O) DAÑO AL SISTEMA REPRODUCTOR. LAVARSE BIEN LAS MANOS DESPUÉS DE INSTALAR, MANIPULAR, LIMPIAR O TOCAR DE MANERA ALGUNA ESTE PRODUCTO.

1. Reglas de Seguridad



Desempaque se ventilador y revise el contenido. Ud. debiera tener las siguientes partes:

- | | |
|--|---|
| 1. Conjunto de motor del ventilador | 5. Placa de montaje (localizada dentro del escudete) |
| 2. Escudete | 6. Conjunto de tubo descendente (1 perno y chaveta de seguridad pre-instalados) |
| 3. Aspas (5) | |
| 4. Soporte del asa o brazo (Incluye tornillos pre-instalados). | |



a. **Partes para instalación de las aspas**
(15 tornillos)

b. **Ferretería para montaje**
(1 sello plástico, 1 sello metálico, 3 tornillos y arandelas).

c. **Partes eléctricas** (3 conectores de plástico para cable, 1 colgantes, equipo de balanceo para las aspas)

IMPORTANTE
POR FAVOR REMUEVA LAS GOMAS LOCALIZADAS EN LA PARTE INFERIOR DEL VENTILADOR ANTES DE INSTALAR LAS ASPAS O PROBAR EL MOTOR DEL VENTILADOR.

Cómo Desembalar Su Ventilador 2.

Herramientas Requeridas

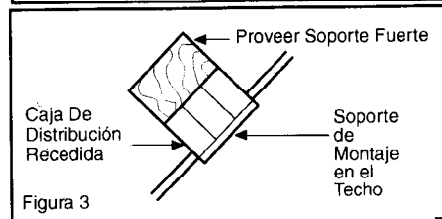
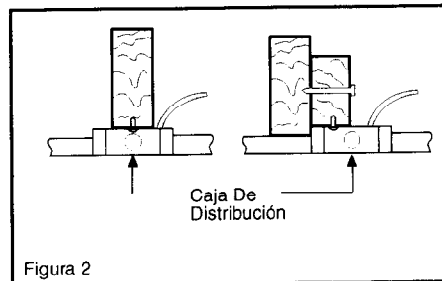
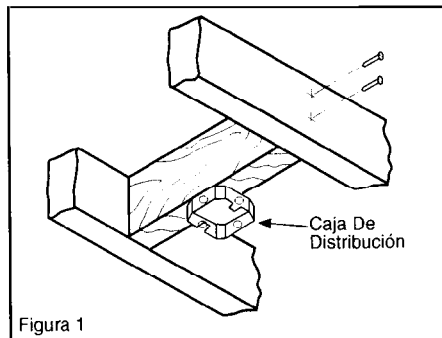
Destornillador de tipo Phillips, destornillador de paleta, llave ajustable, escalera de tijera y cortador de cable.

Opciones de Montaje

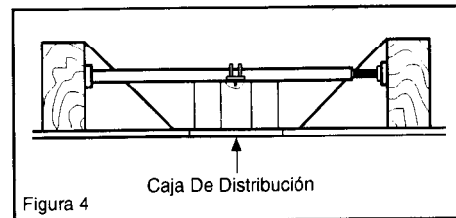
Si no existe una caja de distribución instalada, entonces leer las siguientes instrucciones: Cortar el suministro de energía eléctrica removiendo los fusibles o desconectando los circuitos.

Asegurar la caja de distribución directamente a la estructura del edificio. Usar material de construcción apropiado para el montaje de la caja. La caja de distribución y la estructura deben soportar totalmente el peso en movimiento del ventilador (por lo menos 35 libras). No usar cajas de distribución de plástico.

ADVERTENCIA
PARA REDUCIR EL RIESGO DE INCENDIO, ELECTROCUCIÓN O DAÑO PERSONAL, INSTALAR EL VENTILADOR A UNA CAJA DE DISTRIBUCIÓN MARCADA "ACEPTADA PARA SOPORTAR VENTILADOR" Y USAR LOS TORNILLOS DE MONTAJE SUMINISTRADOS CON LA CAJA DE DISTRIBUCIÓN



Nota: Ud. puede necesitar una barra de extensión para mantener la distancia apropiada de las aspas cuando la instalación se efectúe en un techo inclinado. El ángulo máximo permisible es 45°.



Las figuras 1, 2 y 3 muestran alternativas diferentes para montar la caja de distribución. Para colgar su ventilador donde ya existe una instalación pero no una viga de techo, es posible que se necesite una instalación de barra de suspensión como se muestra la Figura 4 (disponible en su distribuidor Progress Lighting).

3. Cómo Instalar Su Ventilador

Colgando el Ventilador

RECORDAR cortar el suministro de energía eléctrica. Seguir los pasos siguientes para colgar su ventilador apropiadamente.

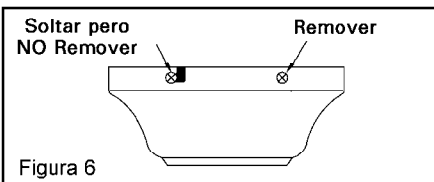
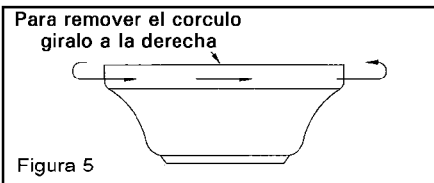
NOTA: Este ventiladores suministrado con dos métodos diferentes para ser colgado; el método estandar que incluye el tubo descendiente con montaje de bola y receptáculo y el montaje "próximo al techo". El método "próximo al techo", se recomienda para habitaciones con menos de 8 pies de altura o en areas donde se requiera mayor distancia entre el piso y las aspas del ventilador. Al usar el método estandar de montaje con tubo, la distancia entre el techo y la parte más baja de las aspas deberá ser aproximadamente 12 pulgadas. El método "próximo al techo" reduce esta distancia a 9 pulgadas. Proceda con las siguientes instrucciones una vez decida que método de montaje va utilizar.

METODO ESTANDAR DE MONTAJE

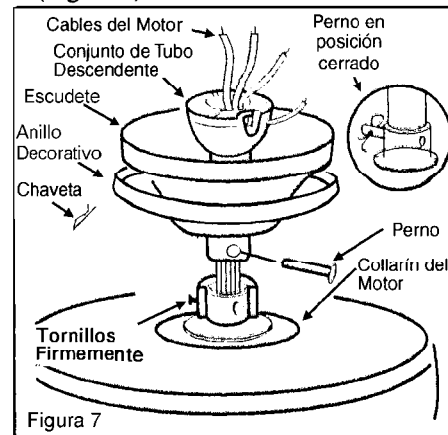
1. Retire el anillo de la marquesina girándolo hacia la derecha hasta que se esenganche (Figura 5).
2. Remover el soporte de montaje del escudete soltando los 4 tornillos que se encuentran en la parte superior del escudete. Quitar los 2 tornillos sin muescas y soltar los tornillos

muscados. Con este paso puede remover el soporte de montaje (Figura 6).

3. Quite el perno y chaveta de seguridad del conjunto de tubo descendente.
4. Guiar los cables existentes desde la parte superior del motor a través del escudete. Asegurese de que el orificio se encuentre en la parte superior. Guíe los cables a través del escudete y luego a través del tubo con la rótula (Figura 7).
5. Alinear los huecos de la parte inferior del tubo con los huecos del collarín en la cubierta superior protectora del motor.
6. Introducir el pasador a través de los huecos del soporte y el tubo. Tener cuidado de no dañar los cables que van por dentro del tubo. Insertar la chaveta y doblarla para asegurarlo.



7. Apriete de nuevo el juego de tornillos que esta sobre el collar en la parte superior del caparazón del motor (Figura 7).



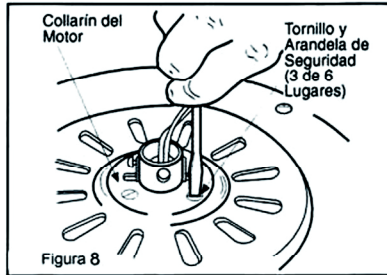
ADVERTENCIA
EL NO APRETAR COMPLETAMENTE LOS TRES TORNILLOS EN EL PASO #6 PODRIA RESULTAR EN UN AFLOJAMIENTO Y POSIBLE CAIDA DEL VENTILADOR

INSTALACION PROXIMA AL TECHO

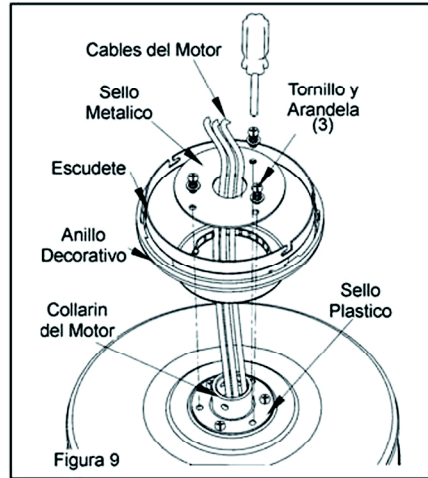
1. Retire el anillo de la marquesina girándolo hacia la derecha hasta que se esenganche (Figura 5).
2. Remover el soporte de montaje del escudete soltando los 4 tornillos que se

encuentran en la parte superior del escudete. Quitar los 2 tornillos sin muescas y soltar los tornillos muescados. Con este paso puede remover el soporte de montaje rápido.

3. Remover 3 de los 6 tornillos y arandelas de seguridad (dejando uno por medio) asegurando el collarín del motor localizado en la parte superior de la cubierta del motor (Figura 8).
4. Coloque el sello plástico sobre los 3 tornillos restantes, acomode los cables existentes en la parte superior del motor del ventilador pasandolos a través del escudete. Luego coloque el anillo del escudete y el escudete de techo sobre el collar en la parte superior del motor (Figura 9).



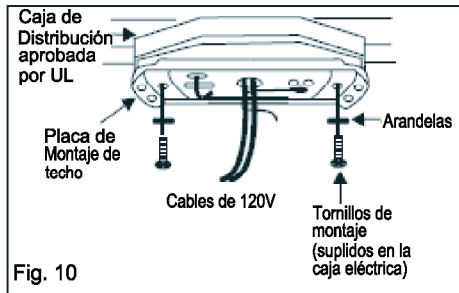
5. Alinee los agujeros de montaje con los agujeros de la parte superior del motor y ajustelos usando los tres tornillos y arandelas suministrados con el sello metálico (Figura 9).
6. Apretar los tornillos adecuadamente.



5.

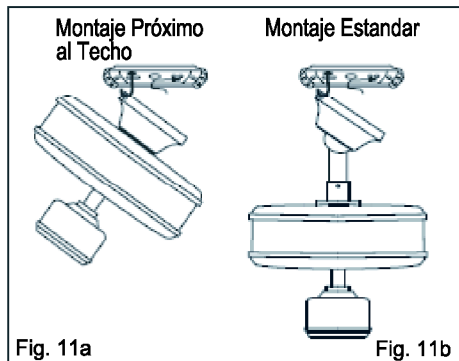
Instalando el Ventilador a la Caja Eléctrica

1. Pasa los cables de 120 voltios a través del orificio central en el soporte de montaje de techo como lo muestra la figura 10.
2. Instale la placa de montaje de techo a la caja eléctrica atornillándola con los tornillos provistos en la caja de enchufe. Cuando uses el montaje cerca del techo, es importante que el soporte de montaje esté nivelado. Si es necesario, usa arandelas niveladoras (no incluidas) entre el soporte de montaje y la caja eléctrica. Nota que el lado plano del soporte de montaje está hacia la caja eléctrica (Figura 10).
3. Apriete con seguridad los dos tornillos a la caja de enchufe.
4. Con cuidado alza el ensamblado del ventilador hacia el soporte de montaje del techo y cuelga el ventilador del gancho suministrado, usando uno de los orificios en el borde exterior de la cubierta de techo (Figura 11a, 11b).



PRECAUCIÓN: CUANDO MONTES EL VENTILADOR EN UN TECHO INCLINADO, DEBES USAR EL MÉTODO DE MONTAJE CON TUBO BAJANTE Y BOLA ESTÁNDAR. ASEGÚRATE DE QUE LAS RANURAS DEL SOPORTE DE MONTAJE ESTÉN EN EL LADO INFERIOR DESLIZANDO EL SOPORTE DE MONTAJE DESDE ARRIBA HACIA ABAJO.

ADVERTENCIA: EL GANCHO COMO SE MUESTRA EN LA FIGURA 11a, 11b SOLAMENTE ES PARA SOSTENER EL VENTILADOR MIENTRAS SE CONECTAN LOS CABLES. SI NO SE CUELGA COMO SE MUESTRA EN LA FIGURA 11a, 11b, PUEDE ROMPERSE EL GANCHO, Y EL VENTILADOR SE CAERÁ. EL GANCHO DEBE PASAR DE ADENTRO HACIA FUERA DE LA CUBIERTA.



ADVERTENCIA: CUANDO USES EL MONTAJE DE TUBO BAJANTE Y BOLA ESTÁNDAR, LA PESTAÑA EN EL ARO EN LA PARTE INFERIOR DEL SOPORTE DE MONTAJE DEBE QUEDAR DENTRO DE LA RANURA DE LA BOLA DE SOPORTE. SI NO ENCAJA CORRECTAMENTE LA PESTAÑA EN LA RANURA, SE PUEDE DAÑAR EL CABLEADO.

Haciendo las Conexiones Eléctricas

Recordar de desconectar la energía eléctrica. Si Ud. cree que no tiene conocimientos ni experiencia suficientes, su ventilador debe ser instalado por un electricista licenciado.

Seguir los pasos indicados más abajo para conectar su ventilador al circuito eléctrico. Usar los conectores de cables suministrados con su ventilador. Asegurar los conectores de cables con cinta adhesiva eléctrica. Asegúrese de no dejar cables o conexiones sueltas.

Paso 1 Conectar el conductor de tierra del suministro de 120 voltios (este puede ser un cable descubierto o un cable con aislación verde) al (los) cable (s) verde (s) de tierra del ventilador.

Al usar el método estandar de montaje existen dos cables verdes de tierra uno del soporte de montaje rápido y otro del tubo descendente. Si usa el método próximo al techo existe solo un cable verde de tierra del soporte de montaje ya que el tubo descendente no se usa.

Paso 2 Conectar el cable blanco del motor del ventilador al cable blanco del suministro eléctrico (neutro) usando una tuerca de cable.

Paso 3 Conectar el cable negro del motor del ventilador al cable negro del suministro eléctrico usando una tuerca de cable (Figura 12).

Paso 4 Después de conectar los cables, separarlos de manera que los cables verde y blanco queden a un lado de la caja eléctrica y el cable negro quede al otro lado.

Paso 5 Voltar los conectores de cables hacia arriba y empujar los cables dentro de la caja eléctrica.

ADVERTENCIA
VERIFICAR QUE TODAS LAS CONEXIONES ESTEN APRETADAS, INCLUYENDO TIERRA, Y QUE NO QUEDEN CABLES DESCUBIERTOS VISIBLES, EXCEPTO PARA LOS CABLES DE TIERRA.

ADVERTENCIA
NO USAR UN DISPOSITIVO DE ESTADO SÓLIDO PARA EL CONTROL DE VELOCIDAD ESTO DAÑARÍA PERMANENTEMENTE EL CIRCUITO ELECTRONICO DEL VENTILADOR.

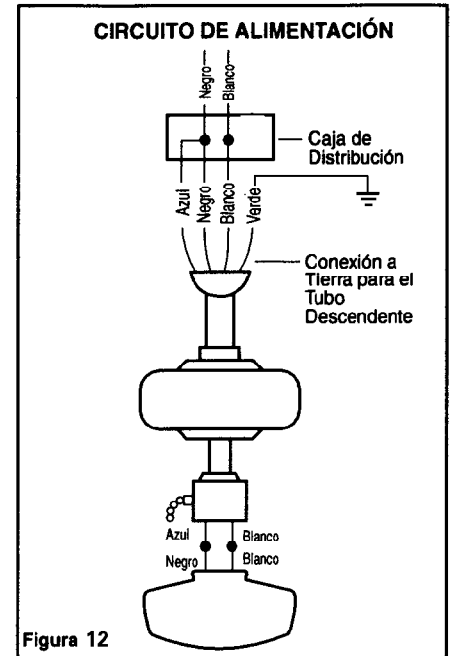


Figura 12

ADVERTENCIA
LOS DIAGRAMAS PARA LAS CONEXIONES ELECTRICAS SON SOLO DE REFERENCIA. USO OPCIONAL DE CUALQUIER CONJUNTO DE LUZ DEBE ESTAR REGISTRADO POR UL Y MARCADO ADECUADAMENTE PARA EL USO DE ESTE VENTILADOR.

Finalización de la Instalación del Ventilador

MONTAJE ESTÁNDAR

1. Levante cuidadosamente el escudete hasta la placa de montaje. Cerciórese de que la lengüeta en el anillo en el fondo del escudete esté asentada correctamente en el surco en la bola de la suspensión. Alinee las ranuras de fijación del escudete del techo con los dos tornillos en la placa de montaje. Empuje hasta que se acoplen las ranuras y da vuelta a la derecha a la cerradura en lugar. Apriete inmediatamente los dos tornillos de montaje firmemente.
2. Instale los dos tornillos restantes en los agujeros del escudete y apretelos hasta quedar bien firmes.
3. Instale el anillo decorativo del escudete alineando las ranuras del anillo con los tornillos del escudete. Gire el anillo en el sentido de los punteros del reloj y asegure firmemente.
4. Ahora usted va a proceder a la instalación de las aspas del ventilador.

MONTAJE PRÓXIMO AL TECHO

1. Cuidadosamente descuelge el ventilador del plato de montaje y alinee los agujeros de bloqueo del escudete de montaje con los dos tornillos del plato. Presione hacia arriba para encajar los agujeros y gire en el sentido de las manecillas del reloj para asegurar que quede en su lugar. Inmediatamente apriete los dos tornillos de montaje.
2. Instale los dos tornillos restantes en los agujeros del escudete y apretelos hasta quedar bien firmes.
3. Instale el anillo decorativo del escudete alineando las ranuras del anillo con los tornillos del escudete. Gire el anillo en el sentido de los punteros del reloj y asegure firmemente.
4. Ahora usted va a proceder a la instalación de las aspas del ventilador.

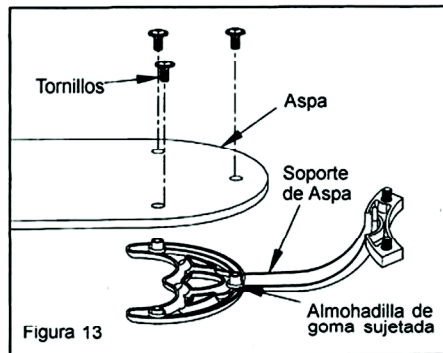
ADVERTENCIA
LOS AGUJEROS EN LA MARQUESINA SE PROVEEN SOLAMENTE COMO AYUDA PARA LA INSTALACION. NO DESCUIDE EL ENSAMBLAJE DEL VENTILADOR HASTA QUE LOS CUATRO TORNILLOS DE LA MARQUESINA ESTEN ENGANCHADOS Y AJUSTADOS COMPLETAMENTE.

Instalando las Aspas del Ventilador

NOTE: Las aspas son reversibles. Elegir el acabado que complementa el estilo del cuarto.

Paso 1 Liga la aspa al soporte de la aspa usando los tornillos como mostrado en la Figura 13 . Nota que las arandelas ya están sujetadas al soporte de la aspa. Repeté esto con los dos últimos tornillos.

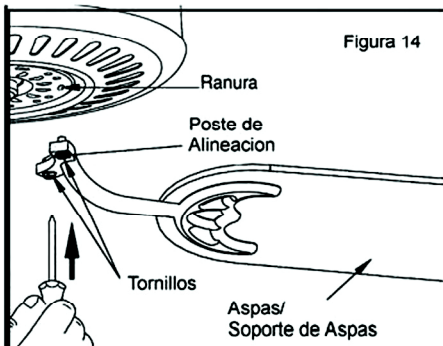
Paso 2 Aprieta cada tornillo firmemente.



Paso 3 Sujeté la asamblea de la aspa al motor por insertando el poste de alineación en la ranura del fondo del motor y aprieta

los tornillos firmemente. Nota que los tornillos ya están sujetos en el soporte de la aspa (Figura 14).

Paso 4. Para cada aspa. Repeté paso 1, 2, y 3.



Balaceando Las Aspas

Todo las aspas son agrupadas de acuerdo con su peso. Debido a que las maderas naturales varían en densidad, el ventilador puede oscilar a pesar de que las aspas han sido seleccionadas con igual peso.

El siguiente procedimiento debiera corregir prácticamente todo la oscilación. Verificar después de cada paso.

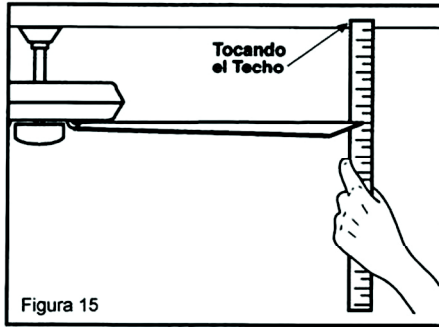
1. Verificar que todos los tornillos de las aspas y de los soportes de aspas estén firmemente apretados.

2. Muchos de los problemas de oscilación se producen cuando la altura de las aspas son desiguales. Verificar altura seleccionando un punto en el techo sobre la punta de una de las aspas. Medir desde un punto en el centro de cada aspa al punto en el techo. Medir esta distancia como muestra la Figura 15. Rotar el ventilador hasta que la próxima aspa quede en posición para cada aspa. Las medidas deben mantenerse dentro de 1/8". Operar el ventilador por 10 minutos.

3. Cerciórese de que el escudete esté apretado con seguridad al soporte de montaje en el techo, y que soporte de montaje del techo este apretado con seguridad a la caja eléctrica.

4. El intercambio de dos aspas adyacentes puede redistribuir el peso y dar lugar posiblemente a una operación más pareja.

5. Usar el kit de balanceo incluido si la oscilación de las aspas aún es apreciable.



NOTA
ESPERAR QUE EL VENTILADOR SE DETENGA ANTES DE INVERTIR LA DIRECCION DE LA ROTACION DE LAS ASPAS.

ADVERTENCIA
PARA REDUCIR EL RIESGO DE DAÑO PERSONAL, NO DOBLE LOS SOPORTES DE LAS ASPAS AL INSTALARLAS, BALANCEARLAS O AL LIMPIAR EL VENTILADOR. NO INSERTAR OBJETOS EXTRAÑOS ENTRE LAS ASPAS CUANDO ESTAN ROTANDO.

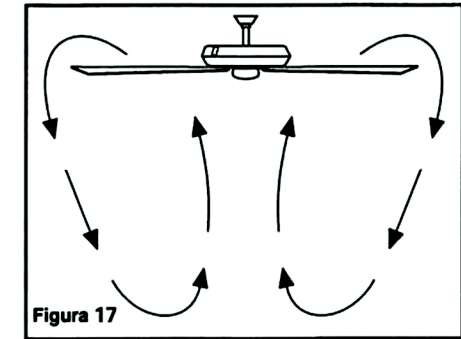
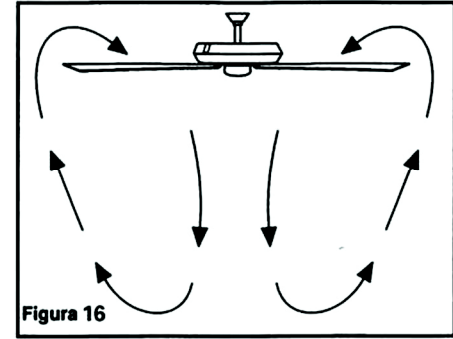
Cómo Cuidar de su ventilador

Activar la energía eléctrica y verificar el funcionamiento del ventilador. El interruptor de cadena controla la velocidad del ventilador como sigue: 1 tirón- Alta, 2 tirones- Media, 3 tirones- Baja y 4 tirones- Apagado (Off)

Las diferentes velocidades para clima cálido o fresco dependen de factores tales como el tamaño de la habitación, altura del techo, número de ventiladores, etc.

Clima Cálido - (Hacia adelante) Un flujo de aire hacia abajo crea un efecto refrescante como muestra la Figura 16. Esto permite que Ud. regule su equipo de aire acondicionado más alto sin afectar su comodidad.

Clima Fresco - (Reverso) Un flujo de aire hacia arriba mueve el aire cálido estacionado en el techo como muestra la Figura 17. Esto permite que Ud. regule su equipo de calefacción más bajo sin afectar su comodidad.



10. Cómo Operar Su Ventilador

Las siguientes son sugerencias que le ayudarán a mantener su ventilador.

1. Debido al movimiento natural del ventilador, algunas conexiones pueden soltarse. Verificar las conexiones del soporte, aspas y soportes de aspas dos veces al año. Asegúrese de que están firmes. **(No es necesario desmontar el ventilador del techo).**
2. Limpiar su ventilador periódicamente para mantener su apariencia de nuevo a través de los años. No use agua al limpiar el ventilador. Esto podría dañar el motor, la madera, o posiblemente causar un cheque eléctrico. Usar solamente una escobilla suave o paño liso para evitar ralladuras en el acabado. El enchapado está cubierto con un barniz para minimizar descoloración y manchas.

ATENCION
ASEGURARSE DE DESCONECTAR EL
SUMINISTRO DE ENERGIA ELECTRICA
ANTES DE COMENZAR CUALQUIER
REPARACION. REVISAR LA SECCION
"HACIENDO LAS CONEXIONES
ELECTRICAS".

3. Ud. puede aplicar una capa delgada de lustramuebles a la madera como protección adicional y realizar su belleza. Cubrir las pequeñas ralladuras con una suave aplicación de betún de zapatos.
4. **No hay necesidad de lubricar su ventilador.** El motor tiene rodamientos sellados con lubricación permanente.

11. Cómo Cuidar de Su Ventilador

Problema

El ventilador no arranca.

Solución

1. Revisar los fusibles o interruptores de circuitos.
CUIDADO: Asegurarse de que la energía eléctrica esté cortada.
2. Revisar las conexiones de los cables al ventilador y las conexiones de los cables en el alojamiento de interruptores.

El ventilador está ruidoso.

1. Asegurarse de que todos los tornillos de la cubierta del motor estén apretados.
2. Asegurarse de que los tornillos que sujetan los soportes de las aspas al motor están apretados.
3. Asegurarse de que los conectores de los cables no están rozando entre ellos o con la pared interior del motor. **CUIDADO: Asegurarse de que la energía eléctrica esté cortada.**
4. Dejar un periodo de espera de 24 horas. La mayoría de los ruidos asociados con un ventilador nuevo desaparecen en este período.
5. Si está usando un juego de luces opcional en el ventilador, asegurarse de que los tornillos que sujetan las pantallas de vidrio estén apretados. Revisar que las bombillas estén apretadas.
6. Asegurarse de que la parte superior del escudete esté a corta distancia del techo. No debe tocar el techo.
7. Asegurarse de que la caja de distribución está firme y que aislantes de goma fueron usados entre el soporte de montaje y la caja de distribución.

12. Resolución de Problemas

VENTILADOR	VELOCIDAD	VOLTIOS	FLUJO DEL AIRE CFM	FUENTE ELECTRICA WATT	FLUJO DE AIRE EN FUNCION DEL CONSUMO CFM/WATT	NETO	BRUTO	CUBICOS
52"	Baja	120	1600	9	178	16.2 LBS	18.4 LBS	1.33
	Media	120	3273	25	130			
	Alta	120	5182	62	84			



Estas son medidas áproximadas. No incluyen amperios y voltios usado por el juego de luces.

© 2011 Progress Lighting, Inc.
701 Millennium Blvd.,
Greenville, SC 29607
Derechos Reservados

13. Especificaciones