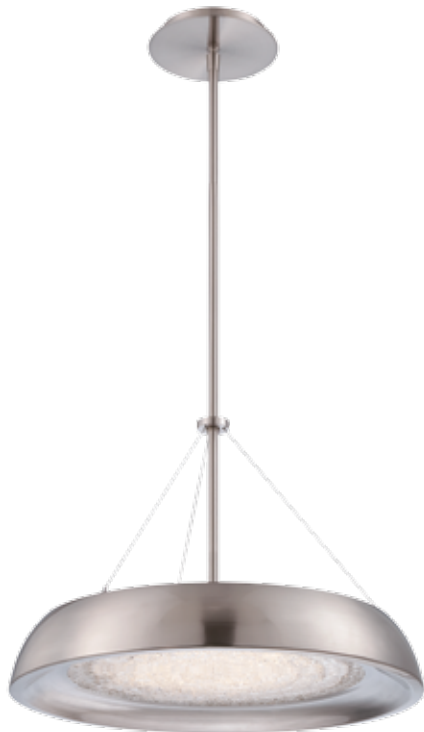
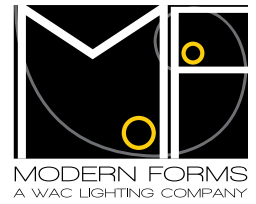
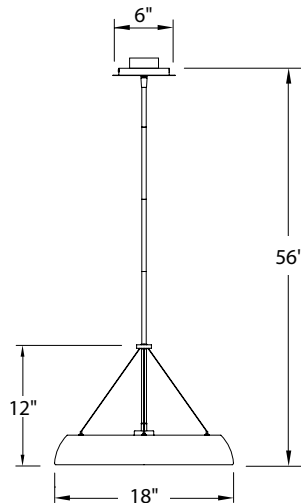


SOLEIL – model: PD-51418

LED Pendants & Chandeliers



Brushed Nickel



Fixture Type:

Catalog Number:

Project: _____

Location: _____

PRODUCT DESCRIPTION

Old world craftsmanship embraces modern aesthetics. An oversized medallion of Piastra art glass illuminated from within a spun metal frame of striking finishes for an incomparable designer look.

FEATURES

- Damp location listed
- Piastra glass diffuser
- Transformer located in outlet box
- Replaceable LED module
- **80,000 hour rated life**
- **Color Temp: 3000K**
- **CRI: 90**

SPECIFICATIONS

Construction: Steel with Piastra glass

Light Source: High output LED

Dimming: Dims to 10% with an electronic low voltage (ELV) dimmer

Mounting: Mounts directly to junction box

Finish: Brushed Nickel (BN), Light Bronze (LB) and White (WT)

ORDER NUMBER

Model	Diameter	Watt	Voltage	LED Lumens	Delivered Lumens	Finish
PD-51418	18"	28W	120V	2025	770	BN <i>Brushed Nickel</i> LB <i>Light Bronze</i> WT <i>White</i>

PD-51418 –

Example: **PD-51418-LB**



Light Bronze

White

Modern Forms – A WAC Lighting Company
 www.modernforms.com
 Phone (800) 526.2588 • Fax (800) 526.2585

Headquarters/Eastern Distribution Center
 44 Harbor Park Drive • Port Washington, NY 11050
 Phone (516) 515.5000 • Fax (516) 515.5050

Western Distribution Center
 1750 Archibald Avenue • Ontario, CA 91760
 Phone (800) 526.2588 • Fax (800) 526.2585