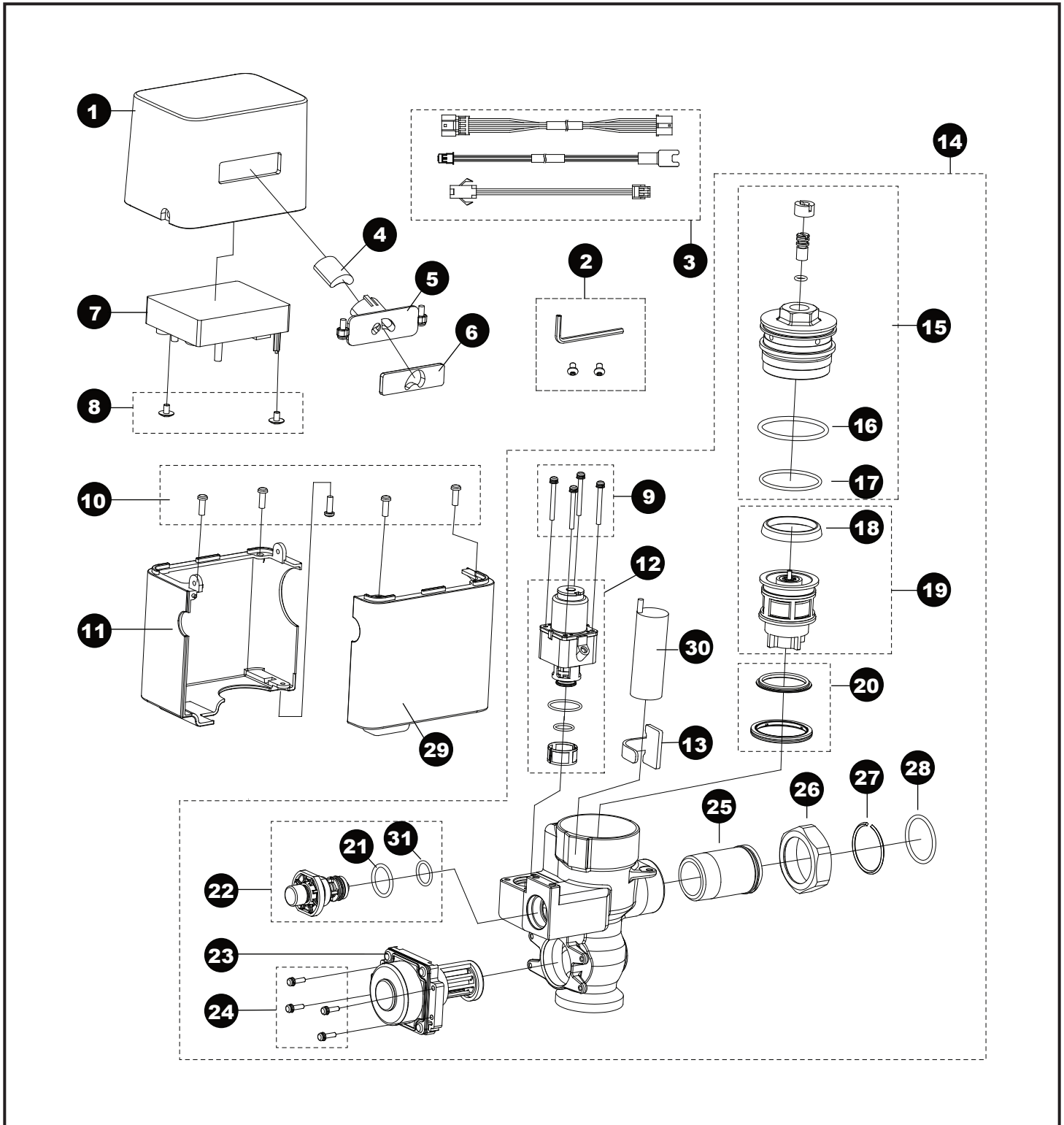


EcoPower® Flush Valve, Toilet, Exposed, 1.28 Gpf 24" VB



**EcoPower® Flush Valve,
Toilet, Exposed, 1.28 Gpf
24" VB**

Item	Part	Description
1	THP3201#CP	Cover, top
2	THP3232	Screw w/wrench set, exposed
3	THP3209	Extension harness (3 type/bag)
4	THP3187	Sensor unit
5	THP3206	Bracket, sensor w/screw (20D)
6	THP3207	Glass, sensor window, exposed
7	THP3196	Controller unit, C
8	THP3208	Screw, controller mount (2/bag)
9	THP3192	Screw (4/bag)
10	THP3204	Screw, cover, valve (5/bag)
11	THP3203#CP	Cover, lower, B
12	THP3190R	Solenoid unit & diaphragm assy
13	TH559EDV517	Clamp set (10/bag)
14	THP3229R	Valve assy, exposed, toilet
15	THP3188	Valve cap assembly
16	THP3189	O-ring, valve cap top (10/bag)
17	TH305SV112	O-ring, valve cap botm (10/bag)
18	TH305SV103	U-packing, piston (10/bag)
19	TH323V104R	Piston assembly
20	TH321	Seat packing set
21	THP3013	O-ring, screen nut (10/bag)
22	TH559EDV506	Push button assembly
23	TH559EDV503	EcoPower generator, toilet
24	TH559EDV505	Screw, EcoPower generator
25	TH305SV114	Tailpiece
26	TH305SV113	Nut, tailpiece/angle stop
27	TH305SV105	Locking ring set, tailpiece (10/bag)
28	TH305SV106	O-ring, tailpiece (10/bag)
29	THP3202#CP	Cover, lower, A
30	THP3053	Back-up battery
31	THP3242	O-ring (1/bag)

Vacuum Breaker Sets

VBXCP-32	Top Spud, 1-1/2" Outlet, For 24" Long VB tube
10075T1L	24.5" VB tube, 1-1/2"

Note: for additional information, refer to the individual vacuum breaker parts sheets.