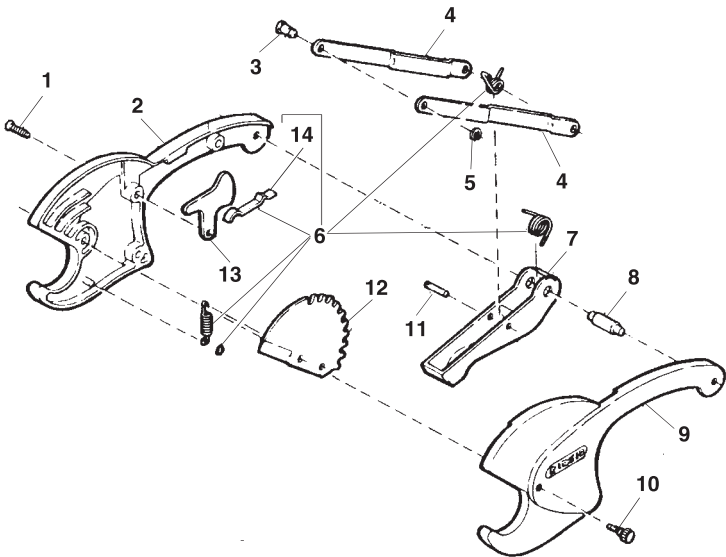


No. 138 Plastic Pipe & Tube Cutter
Capacity: 1/8" - 1 1/2" O.D. (3mm - 38mm)

**NOTE: Order parts by Catalog Number only.
 DO NOT order by Reference Number.**

Ref. No.	Catalog No.	Description
—	91125	138 Plastic Pipe Cutter
1	92200	Screw (3)
2	92160	Housing (Right Side)
3	92180	Pin
4	92175	Arm (2)
5	74740	Retaining Ring
6	92210	Spring Kit
7	92165	Handle
8	92190	Pin
9	92155	Housing (Left Side)
10	92205	Shoulder Screw
11	92195	Pin
12	92170	Blade
13	92185	Latch
14	64657	Latch Spring



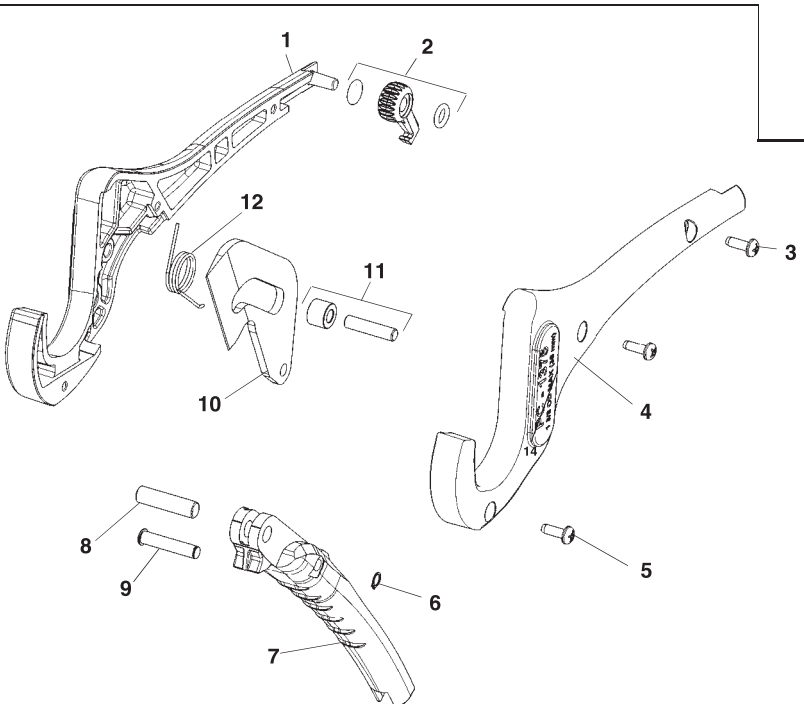
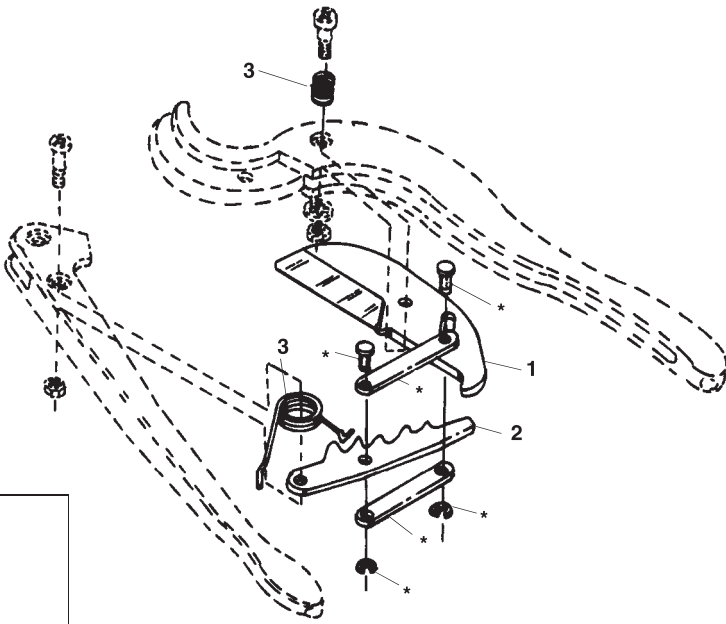
Caution: DO NOT cut metal braid reinforced hose, metal pipe or tubing, wire cable or wood. These materials will damage the blade.

No. 1493 Plastic Pipe Cutter
Capacity: 1/8" - 2 3/8" O.D. (3mm - 60mm)

Ref. No.	Catalog No.	Description
—	12831	1493 Plastic Pipe Cutter
1	22086	Blade
2	47527	Ratchet & Link Assembly
3	47522	Spring Set

* - Included in Ratchet/Link Assembly

Caution: DO NOT cut metal braid reinforced hose, metal pipe or tubing, wire cable or wood. These materials will damage the blade.



PC-1375 Plastic Pipe Cutter

Ref. No.	Catalog No.	Description
1	25538	R.H. Handle
2	25543	Latch Assembly
3	25548	Screws (3)
4	25563	L.H. Handle
5	25568	Screws (3)
6	25553	Retaining Rings (3)
7	25573	Lower Handle
8	25578	Blade Pin
9	25583	Handle Pin
10	25588	Blade
11	25598	Roller & Pin
12	25593	Spring