

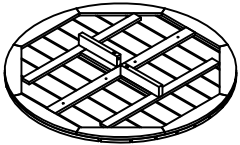

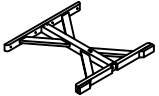
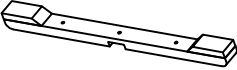

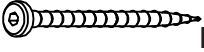
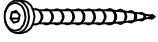
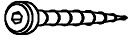


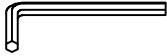
CARE AND MAINTENANCE

Store outdoor furniture indoors or cover well when it is not in use. Dust regularly with small brush or vacuum. Spills should be taken care of immediately before they harden or stain with a slightly dampened sponge.

NOTICE

Please make sure that you have all parts indicated before you begin assembly of this item.

Part List and Hardware List

PIECE	DESCRIPTION	PICTURE	QUANTITY
A	Table top		1x
B	Support bar		2 X
C	Leg		1 X
D	Base		1 X
E1	Allen bolt	 M6x90	2 X
E2	Allen screw L	 M6x60	3 X
E3	Allen screw M	 M6x40	2 X
E4	Allen screw S	 M6x30	2 X
E5	Allen bolt	 M6x30	2 X
E6	Bolt extra	 M6x50	1 X
E7	Allen key		1 X

SAFAVIEH

OUTDOOR LIVING

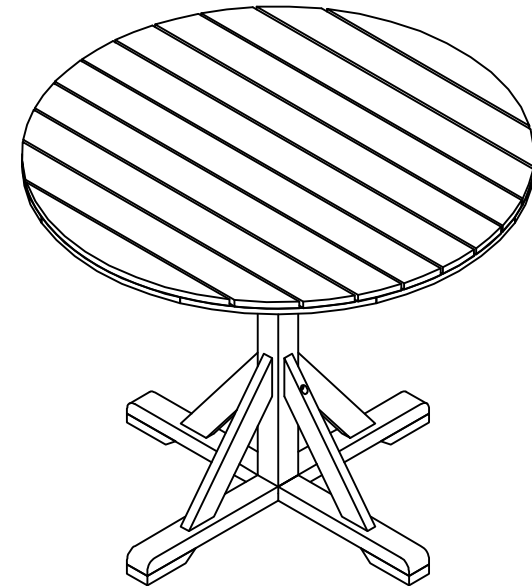
MODEL # PAT6735

Product Dimension :35.43"Wx35.43"Dx29.13"H

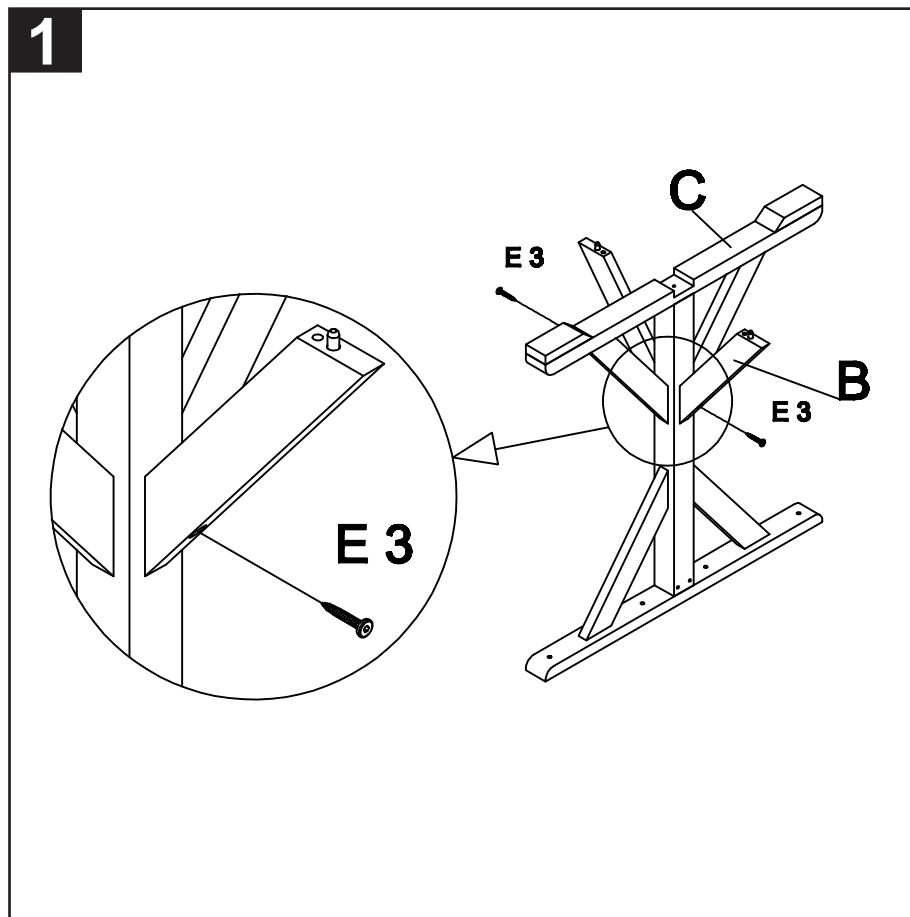
Weight capacity : 40 lbs.

Warning : Do not stand on the table

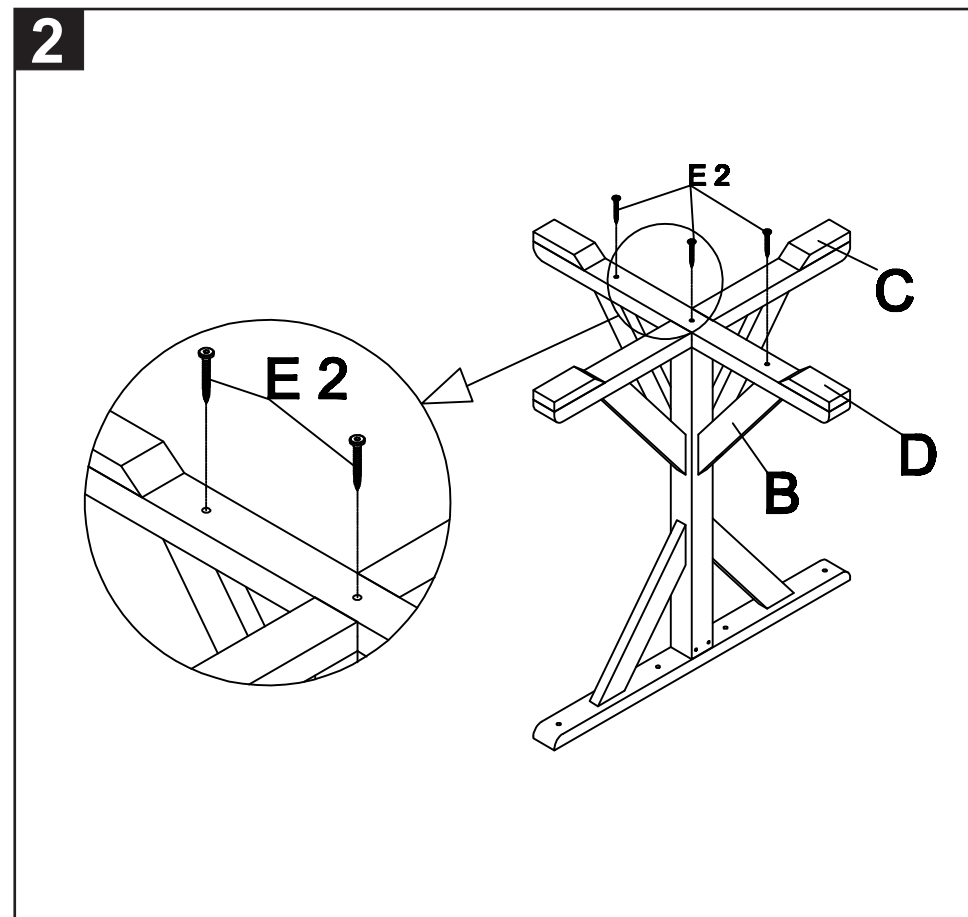
Warning : Do not torque bolts / screws



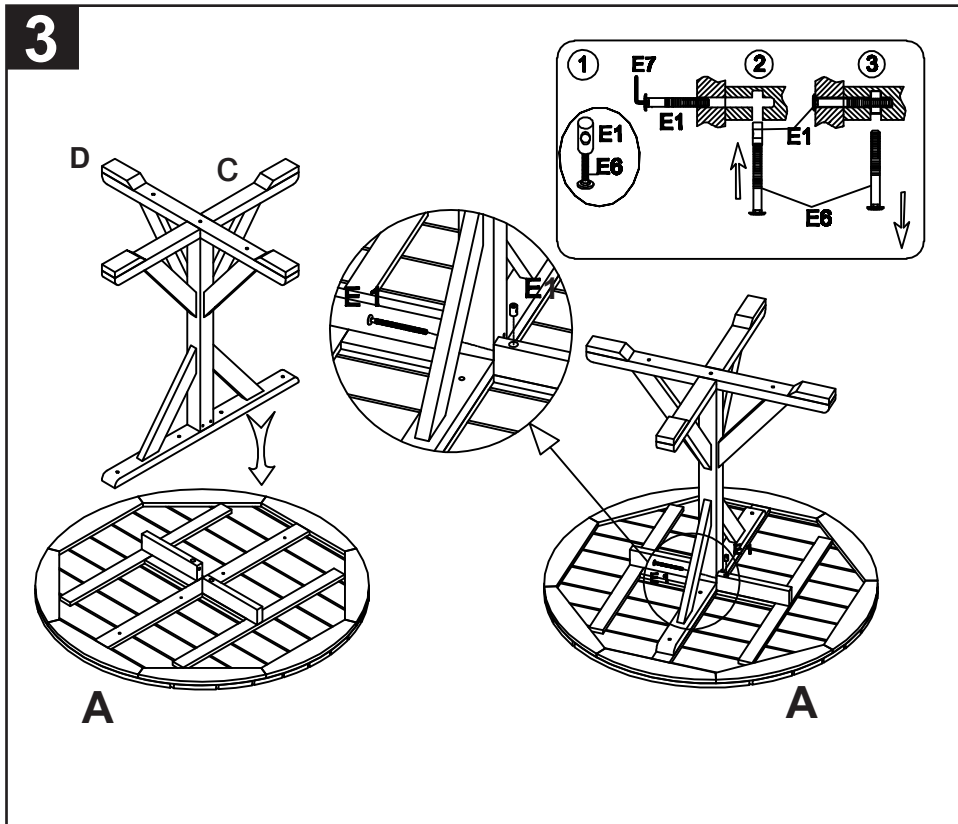
Before beginning the assembly of the product, make sure all parts are present. Compare the parts with package contents list and hardware contents list. If any parts are missing or damaged, do not attempt to assemble the product. Tool required for assembly (included): Allen key.



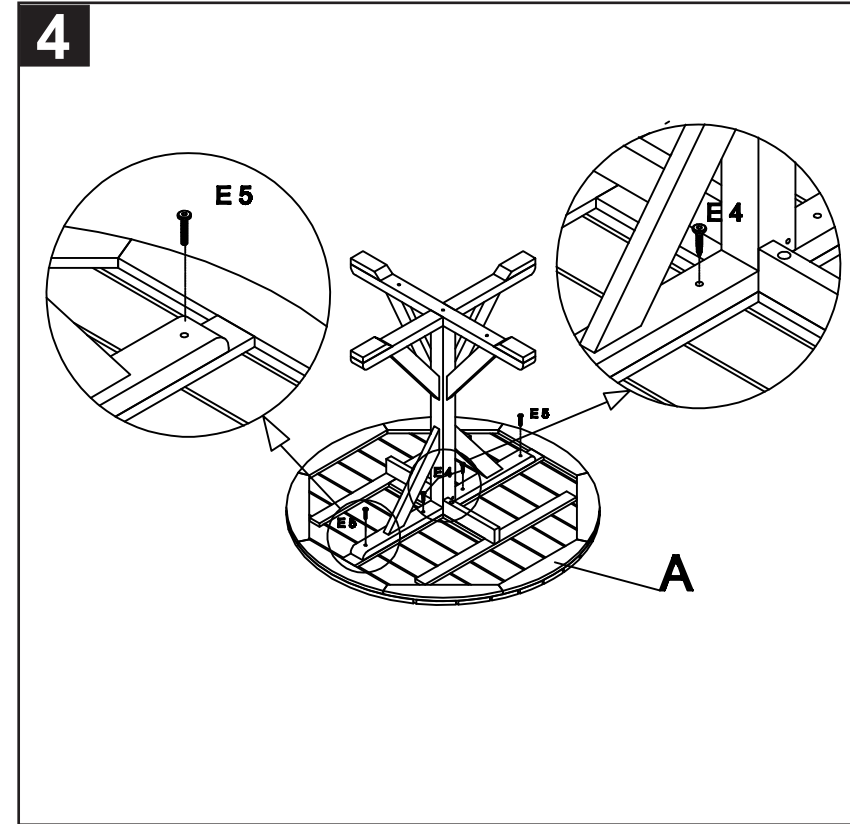
Step 1: assemble the support bar (B) to the leg (C) as shown on picture by using the Allen screw M (E3) and tighten all with the Allen key (E7).



Step 2: put the base (D) to the leg (C) as shown on the picture by using the Allen screw L (E2) to fit the base (D) to the leg (C) as shown on the picture by using the Allen key (E7).



Step 3: put the leg to the table top (A) as shown on the picture by using the Allen bolt (E1) and tighten with the Allen key (E7).



Step 4: use the Allen bolt (E5) and Allen screw S (E4) to fit the leg to the table top (A) as shown on the picture by using the Allen key (E7). Make sure the position while using the Allen bolt (E5) and Allen screw (E4) are the same as in the picture.