



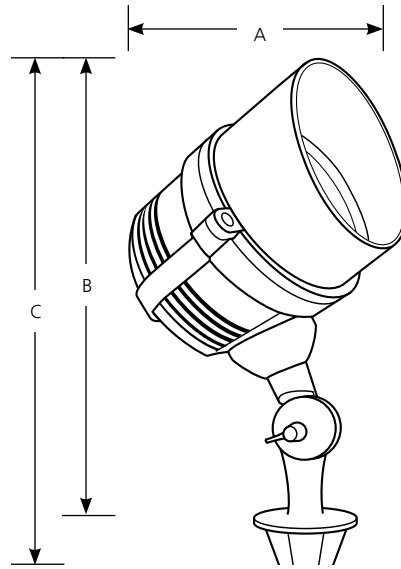
Solid State

Flood Light

Landscape

Type \_\_\_\_\_  
-31  
P5299

Catalog No.	Finish Black	Lamping	Dimensions (Inches)		
			A	B	C
P5299	-31	3w LED lamp, 3000k (included)	4-1/2	6-5/8	14-7/8



**Specifications:**

General

- Adjustable knuckle for aiming
- Dusk-to-dawn property enhancement and security
- Use for accent lighting of building facade small signs, address numbers, trees and residential flags
- 3w total for 3-1w LEDs
- Black epoxy powder paint finish
- Die cast aluminum construction
- Equivalent to 20w MR16 BAB Flood

Mounting

- Both stake and deck mount, 4' fixture cable and connector wiring included

Electrical

- 48" of wire to connect to feeder
- Use with P8270-31 transformer

Labeling

- UL/CUL wet location listed

Progress Lighting  
701 Millennium Blvd.  
Greenville, South Carolina  
29607

www.progresslighting.com

Rev. 04/14