

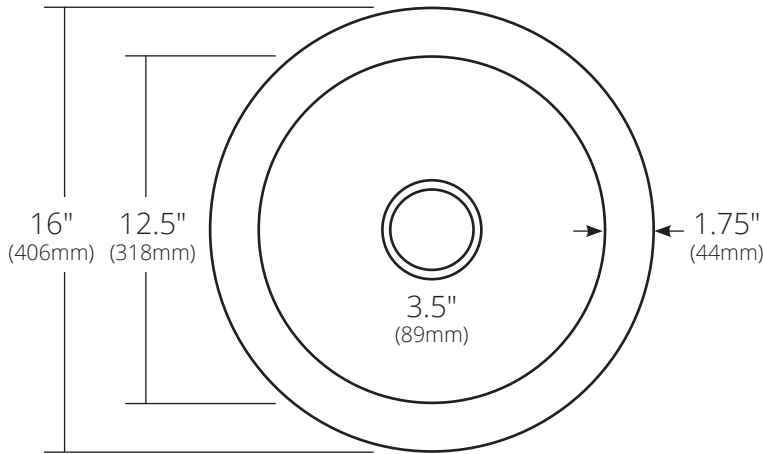
SPECIFICATIONS

OLIVOS

NativeStone® Collection



TOP VIEW



- NSB1607-A Ash
- NSB1607-S Slate
- NSB1607-P Pearl
- NSB1607-E Earth

PRODUCT DETAILS

- 16" x 8" OD (406mm x 203mm)
- 12.5" x 7.25" ID (318mm x 184mm)
- 3.5" (89mm) drain opening
- Handcrafted from sustainable NativeStone®
- Sealed with impermeable nano sealer

INSTALLATION

- Drop-in or Undermount

COORDINATING PRODUCTS

- Drains: DR320 or DR340
- Bottom Grid: GR951

STANDARDS COMPLIANCE

- UPC/cUPC compliant

IMPORTANT

Do NOT use tape or other adhesives on NativeStone® as it may remove the sealer.

Due to the handcrafted nature of this product, it will vary in finish, texture, and other details. Dimensions may vary up to .25" (6mm).

SIDE VIEW

