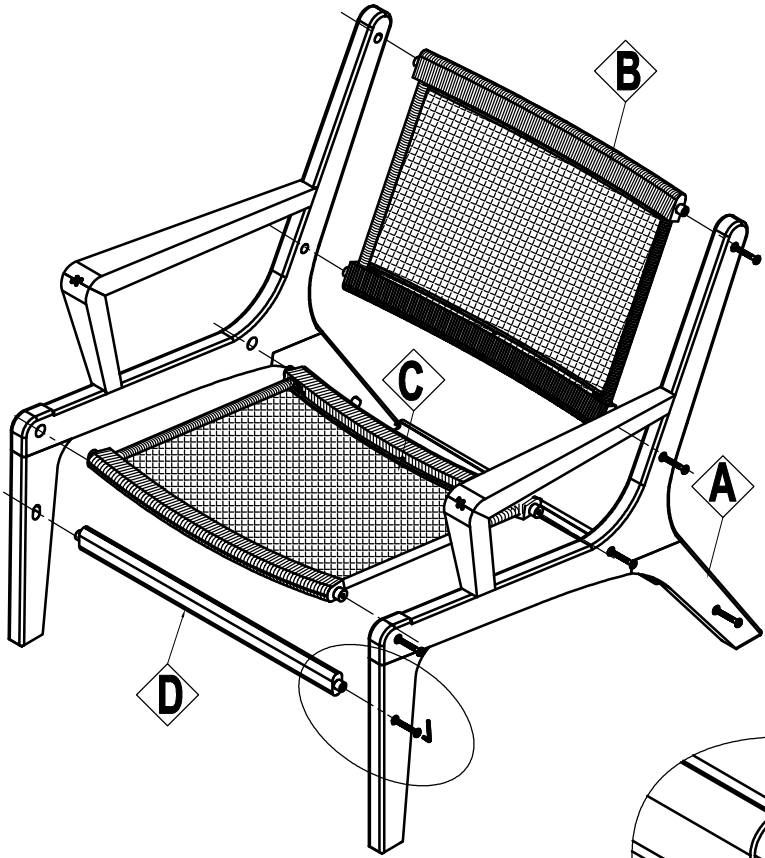
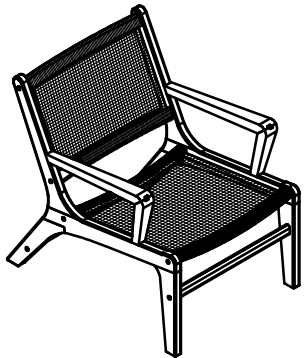


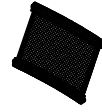


OCEANS LOUNGE CHAIR

Assembly Instructions



Ax2



Bx1


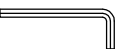



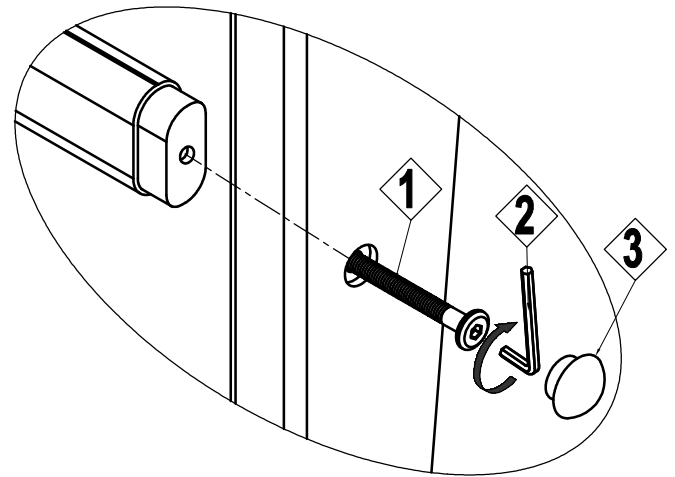
Cx1



Dx2

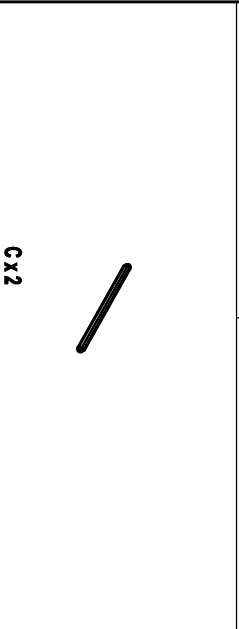
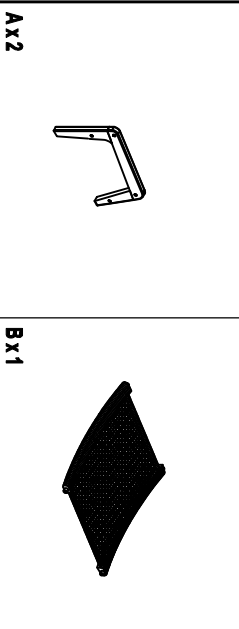
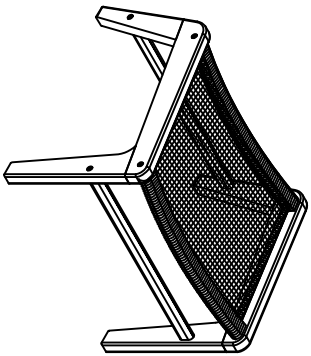
LIST OF HARDWARE




NO.	HARDWARE	QTY.
1	F-Bolt M6x60 	12
2	Allen key 	01
3	Wood Nut 	12



OCEANS OTTOMAN

Assembly Instructions



LIST OF HARDWARE		
NO.	HARDWARE	QTY.
1	F-Bolt M6x60 	8
2	Allen key 	01
3	Wood Nut 	8

