

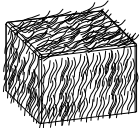

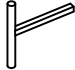




CARE AND MAINTENANCE

Wipe clean with a soft, dry cloth. Test the cleaning method on a hidden area before using them over the entire area.

NOTICE

- * Please make sure that you have all parts indicated before you begin assembly of this item.
- * This item should be assembled on a soft surface to prevent scratching the finished product during assembly.
- * This item may require periodic tightening.
- * Do not tighten bolts until completely assembled.

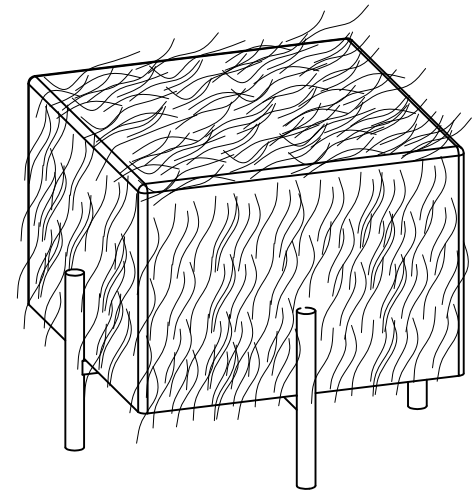
Part List and Hardware List

PIECE	DESCRIPTION	PICTURE	QUANTITY
A	Seat cushion		1x
B	H type side frame		1x
C	T type side frame		2x
H1	Allen bolt	 1/4"x 5/8"	4x
H2	Allen bolt	 1/4"x 2"	4x
H3	Crisscross metal plate	 3x60x60mm	1x
H4	Allen key	 M4	1x

 **SAFAVIEH**
FURNITURE

Model# OTT6200

Product Dimensions: 20-1/2"Wx20-1/2"Dx18-3/4"H



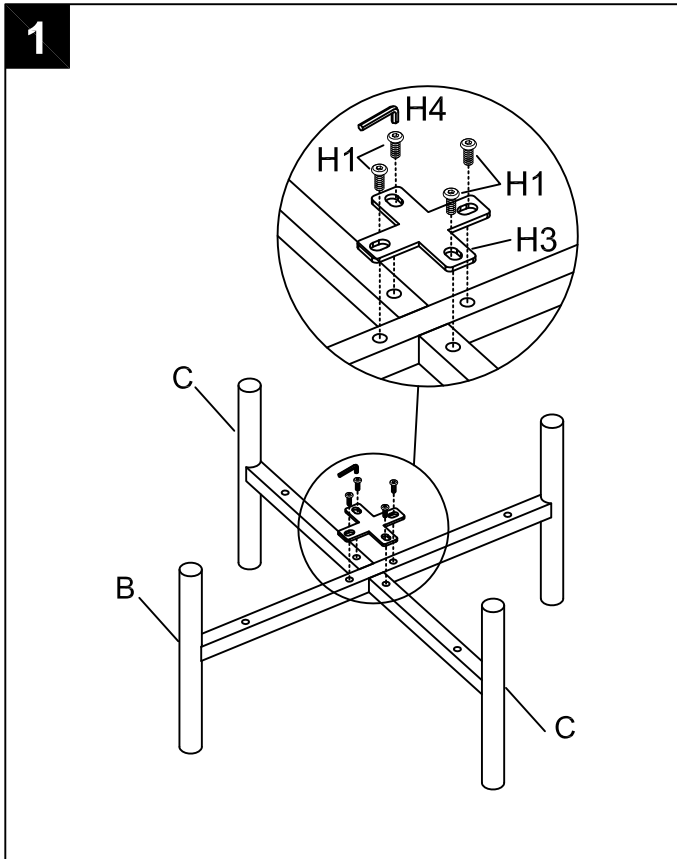
Weight capacity: 275lbs
WARNING: DO NOT STAND ON THE OTTOMAN

PREPARATION

Before beginning assembly of product, make sure all parts are present. Compare parts with package contents list and hardware contents list. If any part is missing or damaged, do not attempt to assemble the product.

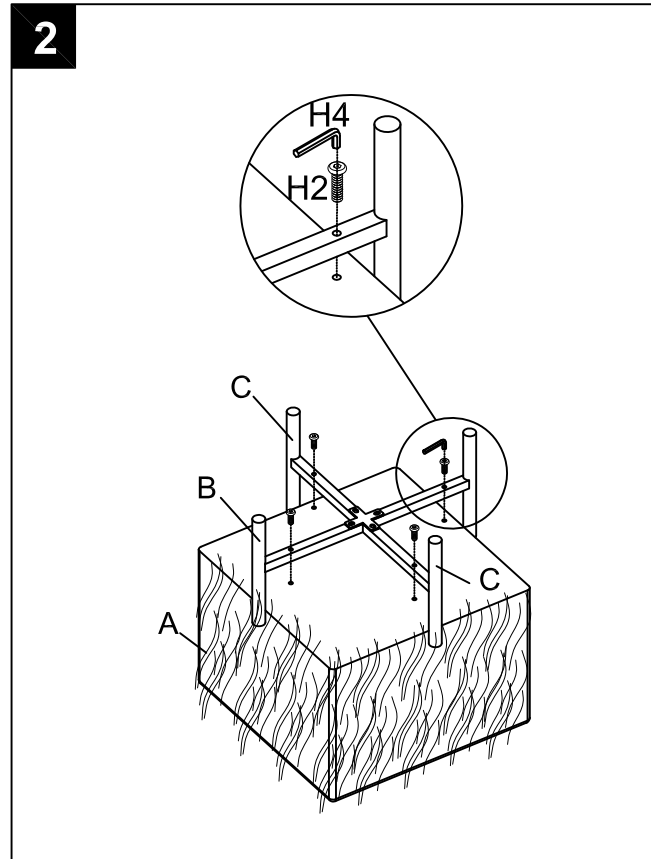
Estimated Assembly Time: 15 minutes.

Tools Required for Assembly (included): Allen Key



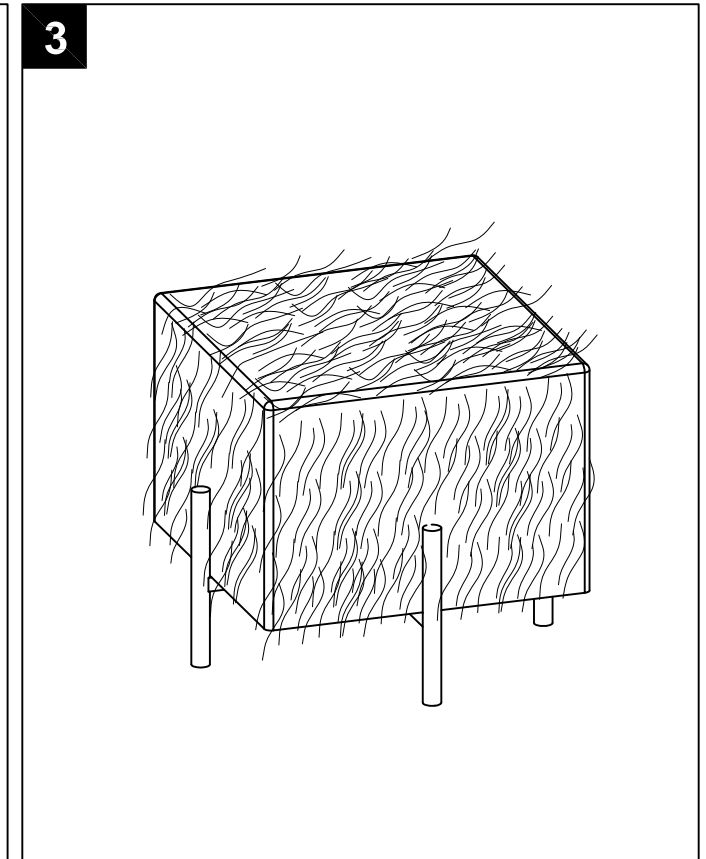
Step 1

Attach 1*H type Side Frame (B) & 2*T type Side Frames (C) together with Crisscross Metal Plate (H3), Use Allen key (H4) to lock through holes on Crisscross Metal Plate with 4*Allen Bolts (H1).



Step 2

Attach the assembled metal base (as step 1) with the bottom side of seat cushion (A) and aligning, Use Allen Key (H4) to lock 4*Allen bolts (H2), as picture.



Step 3

Straighten up the assembled table, Assembly is completed.