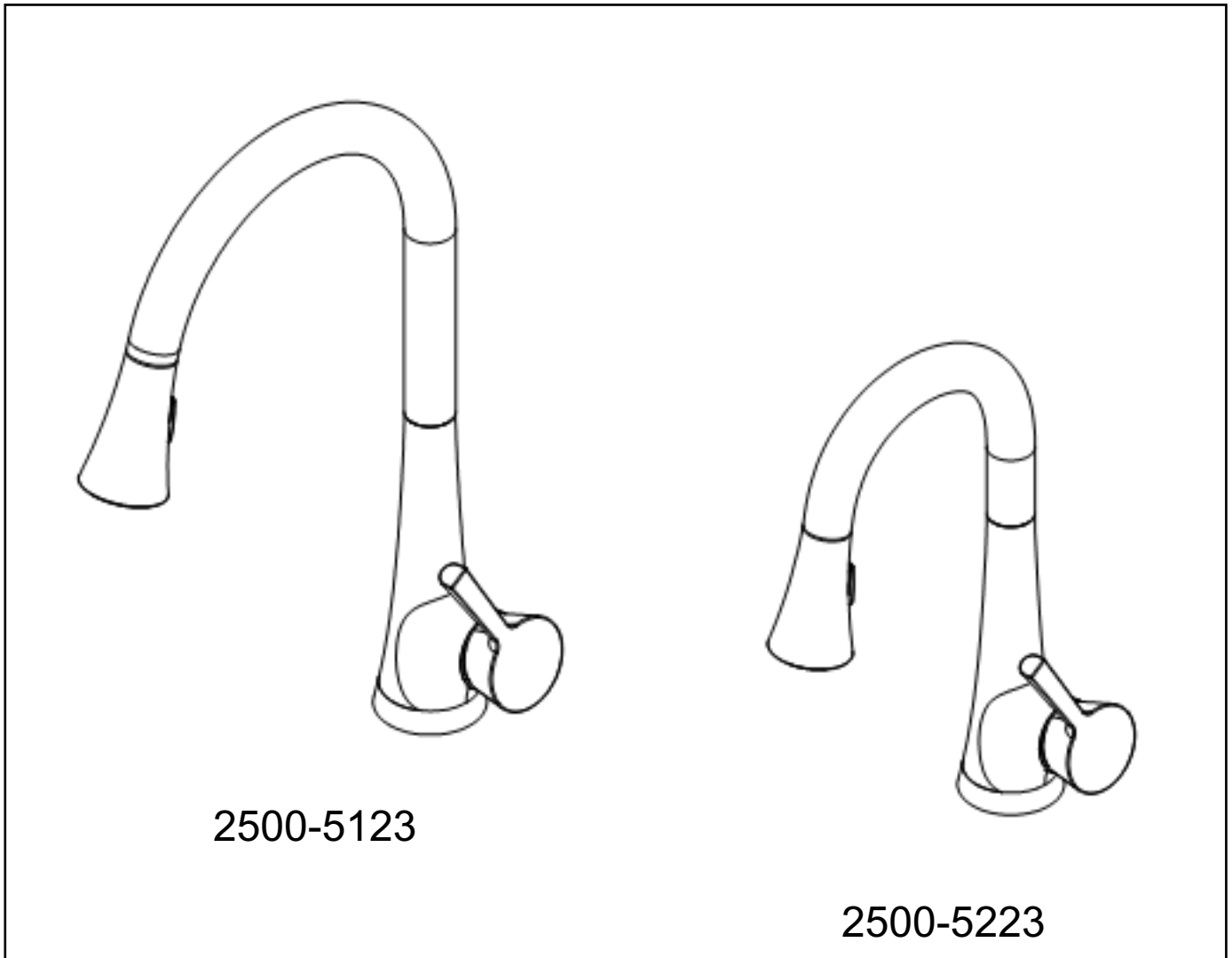


INSTALLATION INSTRUCTIONS  
KITCHEN FAUCET WITH  
PULLDOWN SPRAY

Model No's: 2500-5123,  
2500-5223

**NEWPORT BRASS**  
Flawless Beauty. From Faucet to Finish.™



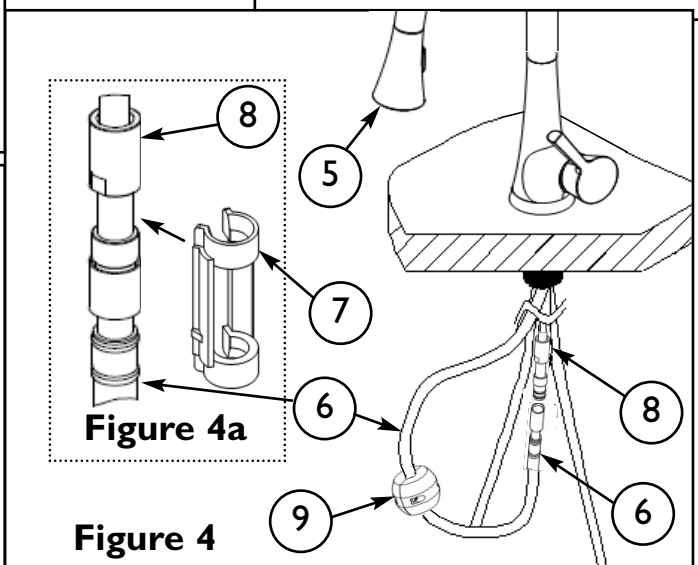
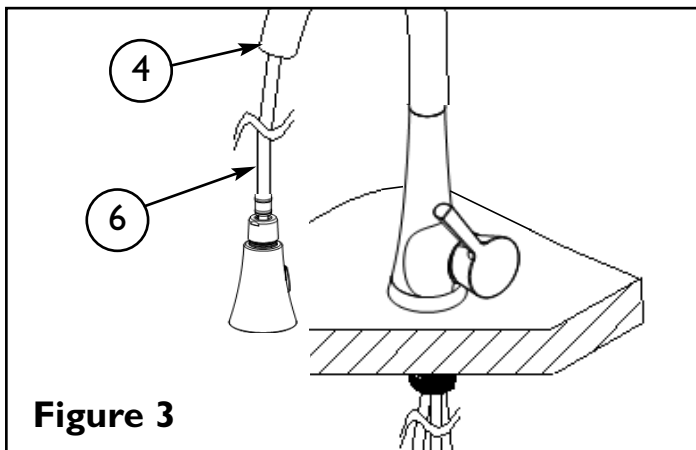
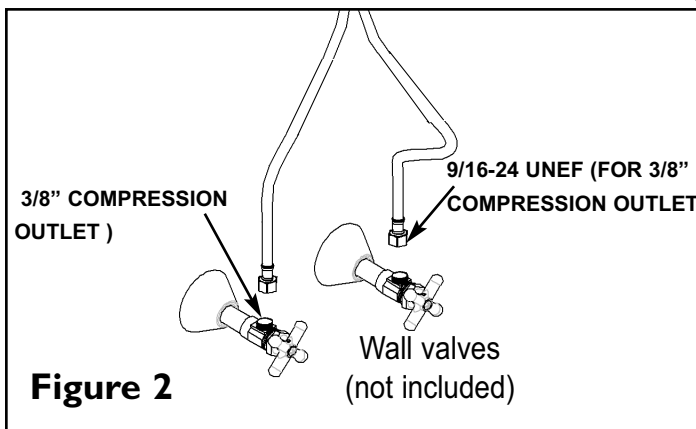
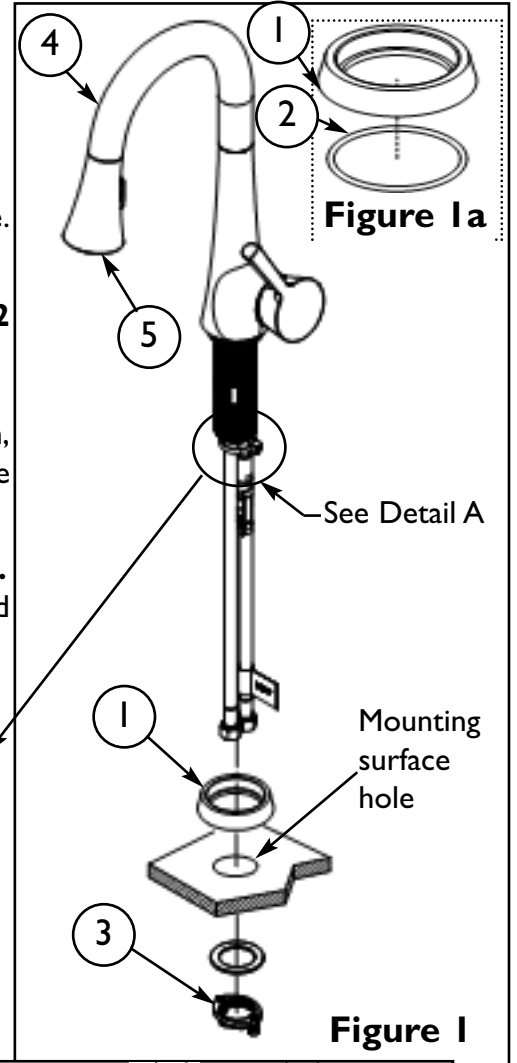
**Congratulations on the purchase  
of your Newport Brass product,  
an excellent choice, that will give you  
years of quality service and enhance  
the look and style of your home.**

## Recommended Installation by a Professional Plumbing Contractor

**Note:** The use of petroleum base plumbers putty on our products will nullify the warranty. We recommend the use of clear silicone sealing materials.

If mounting faucet to stainless steel rim, an under-mount support, (e.g. wood, appropriate size x 1/2" thick), should be utilized.

1. Drill hole in mounting surface. Recommended deck hole  $\varnothing 1.350''$  not to exceed  $\varnothing 1.562''$ .
2. Place O-ring (2) on underside of base RING (1). See Figure 1a.
3. Insert Hoses through base RING (1) and hole in mounting surface. Secure into place with MOUNTING KIT (3). See Figure 1.
4. Attach hot/cold spout supply directly to valves in the wall. See Fig. 2
5. **DO NOT** remove the HOSE (6) from SPOUT (4). See Figure 3.
6. Attach WEIGHT (9) to HOSE (6) in the appropriate area shown, On the upward swing toward the SPRAYHEAD (5), in order to provide proper pull to hose. See Figure 4.
7. Connect HOSE (6) to valve OUTLET(8). See Figure 4. Attach CLIP (7) to the connection between HOSE (6) and OUTLET(8). See Figure 4a.



8. With faucet in the OFF position, open water supply valves. Inspect connections under sink for leaks. **DO NOT** turn faucet on yet.

9. Pull SPRAYHEAD (5) out from SPOUT (4). While holding HOSE (6), detach SPRAYHEAD (5). Aiming HOSE (6) into sink, turn on faucet to center position (mixed) and flush for one minute to remove debris from lines.

10. Turn OFF faucet and reattach SPRAYHEAD (5) to HOSE (6). See Figure 5.

11. Check the SPRAYHEAD (5) by operating the trigger from aerator to spray.

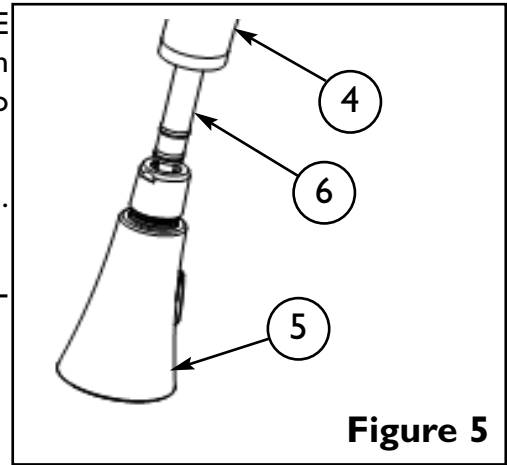


Figure 5

ORDER 12494 FOR 2500-5223

BILL OF MATERIAL (CURRENT LEVEL)				
ITEM	PT/ASSY	DESCRIPTION	TYPE	QTY.
1	2-784	BASE RING ASM	ASSEMBLY	1
2	2-946	MAIN BODY ASM , VESPERA	ASSEMBLY	1
3	1-064	SINGLE LEVER CARTRIDGE	PART	1
4	11713	CARTRIDGE STEM ADAPTER	PART	1
5	92035	SCRW, M4 X .7 X 10 PHL FLT HD SS	PART	1
6	91534	CARTRIDGE STEM INSERT	PART	1
7	11714	CARTRIDGE RETAINER	PART	1
8	11715	CARTRIDGE CAP	PART	1
9	91712	SLEEVE	PART	1
10	2-790	HANDLE ASM	ASSEMBLY	1
11	12753	SPOUT ADAPTER	PART	1
12	91030	O-RING, #2- 115, EPDM, 65-75 DURO, NSF 61	PART	4
13	12491	SPOUT	PART	1
14	91544	MAGNET DOCKING	ASSEMBLY	1
15	3-463	SPRAY HEAD, VESPERA	ASSEMBLY	1
16	11877	HOSE, PULLDOWN SWIVEL	ASSEMBLY	1
17	1-256	MOUNTING KIT	ASSEMBLY	1
18	91568	RETAINER CLIP	PART	1
19	91255	O-RING, #2- 011, EPDM, 65-75 DURO, NSF-61	PART	2
20	91341	ZIP TIE	PART	1
21	98044	LABEL - HOT	PART	1
22	1-286	WEIGHT ASM	ASSEMBLY	1

Figure 6 - Spare Parts