

4

3

2

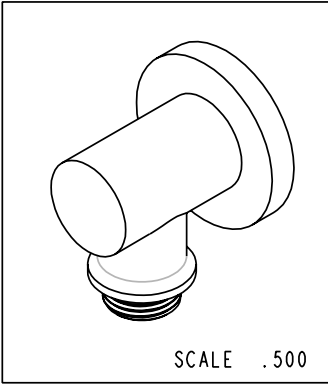
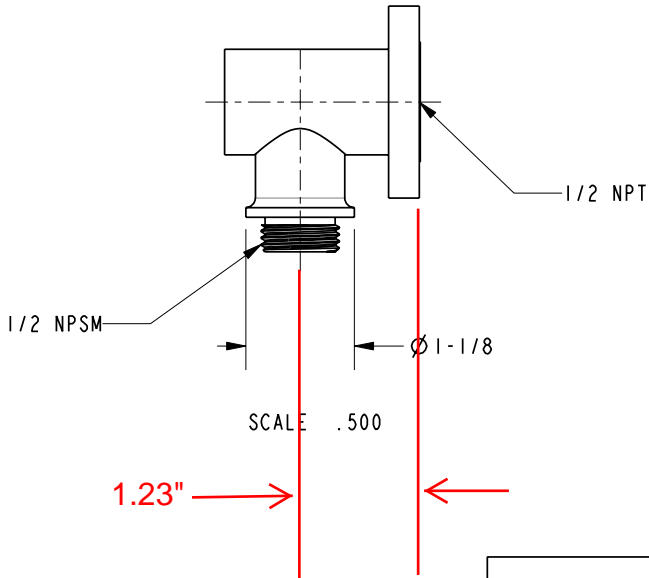
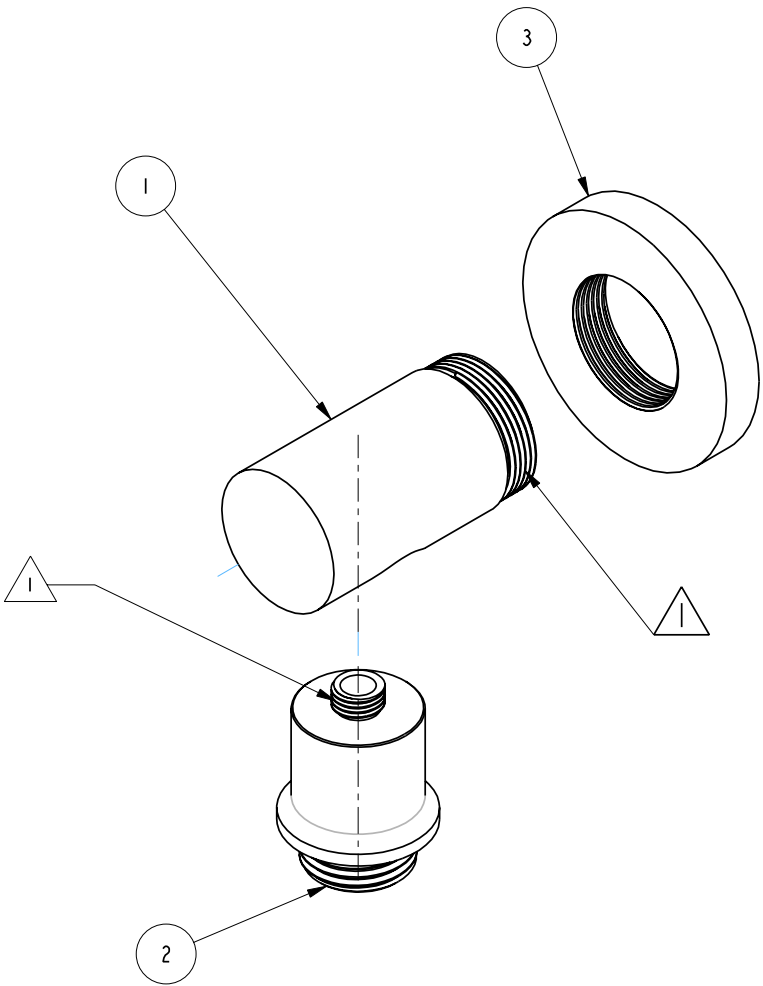
1

BILL OF MATERIAL (CURRENT LEVEL)

ITEM	PT/ASSY	DESCRIPTION	TYPE	QTY.
1	11478	SUPPLY ELBOW BODY	PART	1
2	80182	CONNECTOR	PART	1
3	11479	FLANGE, SUPPLY ELBOW	PART	1

NOTES:

1. APPLY ADHESIVE LOCTITE 680 OR EQUIVALENT.



COPYRIGHT 2005 BRASSTECH, INC. THESE DRAWINGS AND THE DESIGNS DEPICTED HEREIN ARE THE PROPRIETARY PROPERTY OF BRASSTECH. ANY USE OR REPRODUCTION IS SUBJECT TO THE EXPRESS APPROVAL OF BRASSTECH. UNAUTHORIZED USE IS STRICTLY PROHIBITED. ALL RIGHTS RESERVED.

BRASSTECH
 INCORPORATED
 2001 E. CARNEGIE AVE.
 SANTA ANA, CA 92705
 (949) 417-5207

SUPPLY ELBOW ASM - CONTEMPORARY

ASSY. NO. 285-2		A	EN-1207	03/25/09
SCALE .750	REF. -	-	ECN-0940	02/11/08
SHEET 1	OF 1	REV	REV DESC	DATE

4

3

2

1