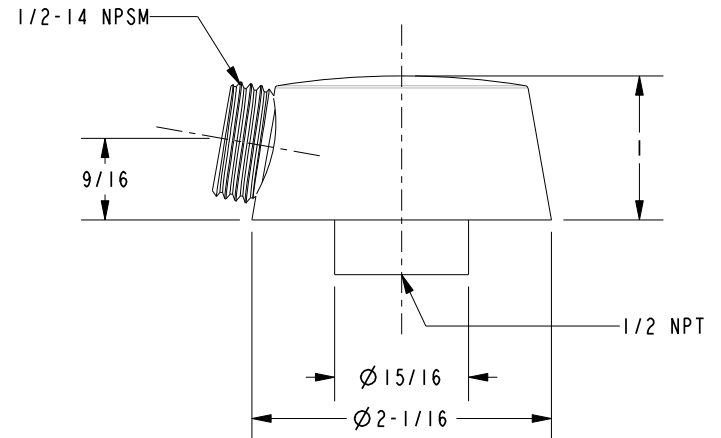
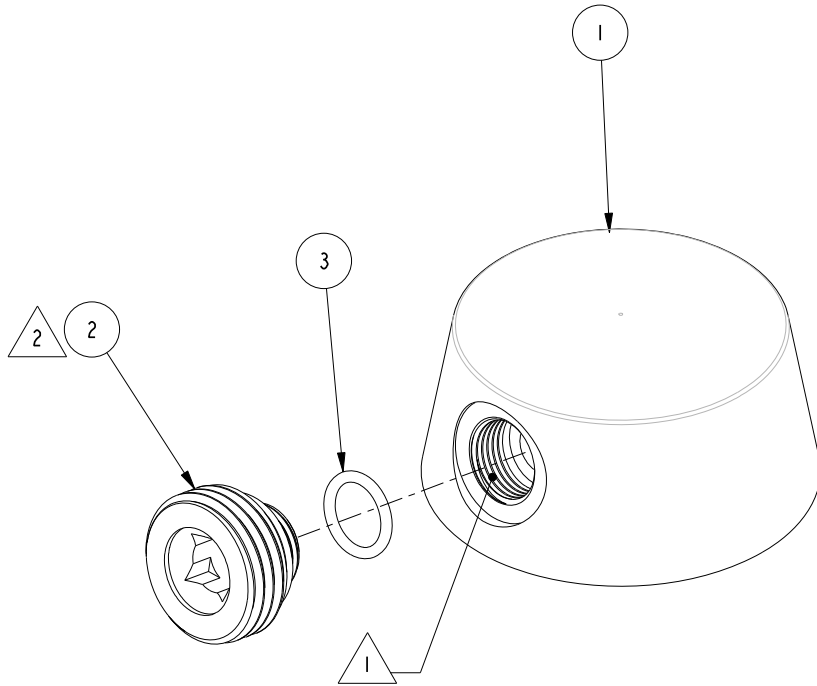
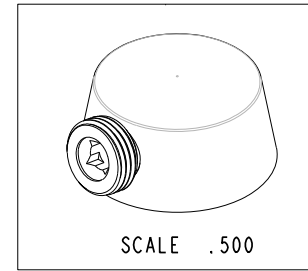


NOTES:

- 1. APPLY ADHESIVE LOCTITE 680 OR EQUIVALENT.
- 2. TORQUE TO 18-22 IN-LBS.

BILL OF MATERIAL (CURRENT LEVEL)

ITEM	PT/ASSY	DESCRIPTION	TYPE	QTY.
1	50289	BODY	PART	1
2	50290	MALE ADAPTER	PART	1
3	91348	O-RING, 1.5 X 9MM ID, EPDM, 65-75 DURO	PART	1



COPYRIGHT 2005 BRASSTECH, INC. THESE DRAWINGS AND THE DESIGNS DEPICTED HEREIN ARE THE PROPRIETARY PROPERTY OF BRASSTECH. ANY USE OR REPRODUCTION IS SUBJECT TO THE EXPRESS APPROVAL OF BRASSTECH. UNAUTHORIZED USE IS STRICTLY PROHIBITED. ALL RIGHTS RESERVED.

**BRASSTECH**  
INCORPORATED  
2001 E. CARNEGIE AVE.  
SANTA ANA, CA 92705  
(949) 417-5207

SUPPLY ELBOW FOR SHOWER

ASSY. NO.	285	A	EN-2709	02/26/14
SCALE	.750	REF.	-	REV
SHEET	1	OF	1	DATE
		REV	REV DESC	DATE