

DESCRIPTION

- Plastic chrome plated construction available with antique brass finish
- Is slip fit design - CC connections

OPERATION

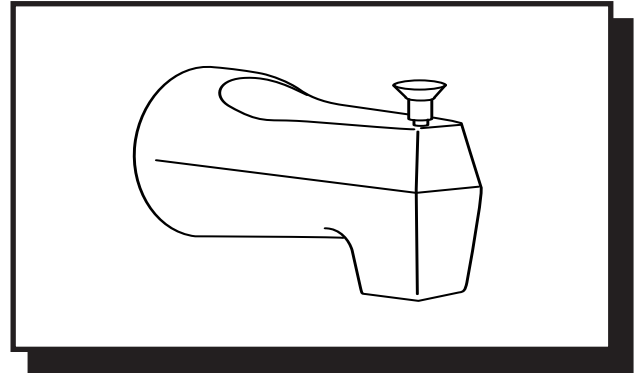
- The diverter is designed to automatically return to the tub fill position when the valve is shut off

STANDARDS

- Designed and manufactured to comply with the requirements of: CSA - CSA B125 and all applicable requirements referenced therein

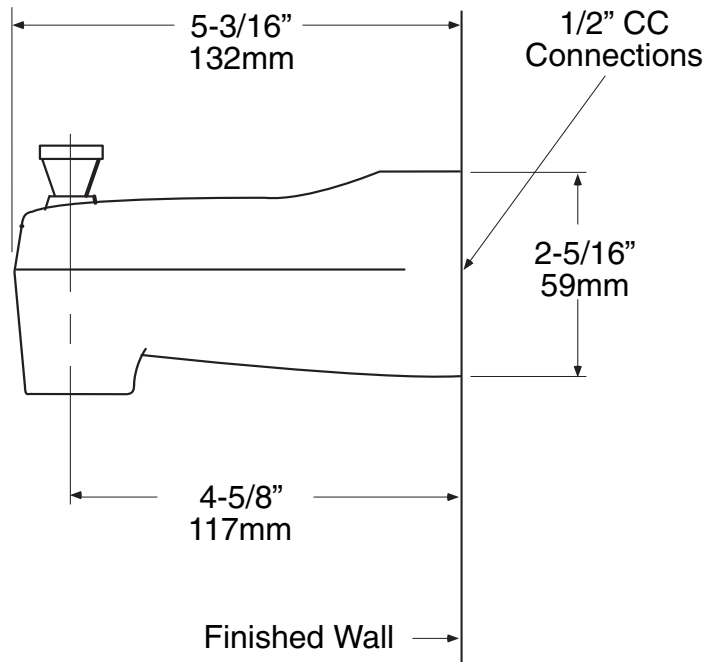
WARRANTY

- Warranted for one year against material or manufacturing defects



Diverter Tub Filler

3929	Chrome/Pol. Brass
3931	Chrome
3931A	Antique Brass



CRITICAL DIMENSIONS

(DO NOT SCALE)