

PACKAGE CONTENTS: 2x Decorative Supports, 4x 1 inch steel screws

DIMENSIONS: 3.9" W x 8"D x 7" H

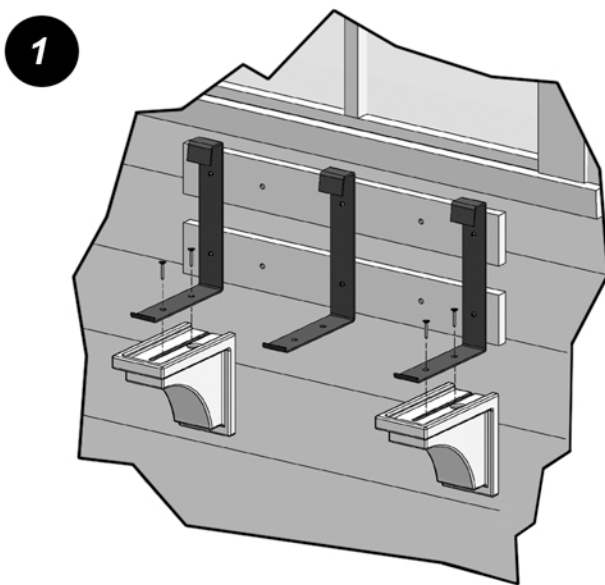
IMPORTANT NOTE:

- The molded brackets are decorative only and don't offer any support for the planter.

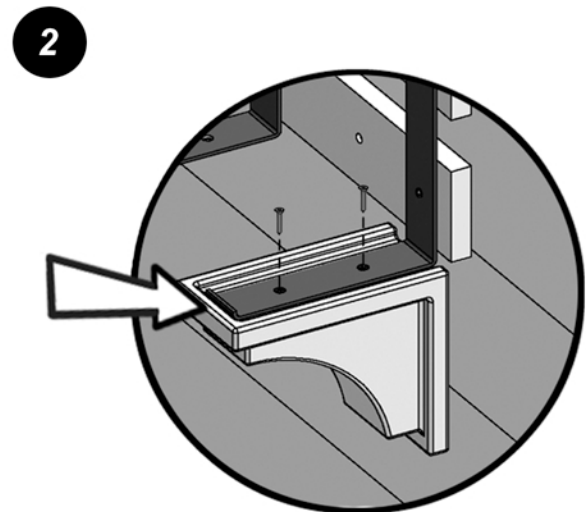
In the event of missing or defective parts, please email customerservice@gomayne.com or call our customer service department toll free at 866-363-8834 (available Monday through Friday, 8am-5pm EST).

General Information:

- Read instructions carefully before beginning assembly.
- For use with Mayne's Nantucket Window Box collection.
- To clean the product, for best results use a soap solution and high-pressure water.



Secure each decorative bracket to the bottom of the wall mount brackets using two 1 inch screws. The decorative brackets are sold in pairs so we recommend installing them on the outside brackets as shown above.



The front lip of the wall mount bracket should sit flush against the inside face of the decorative bracket (indicated by the arrow). The molded brackets are only decorative so there is no need to over tighten the screws.