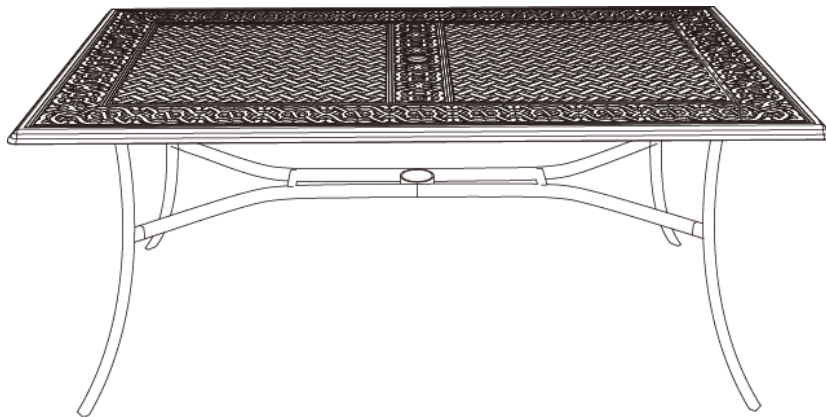


# **USE AND CARE GUIDE**

## **Dining Table**



**If you have any problems with this product,  
CALL OUR CUSTOMER SERVICE HOTLINE at**

**1-866-391-4908**

**Monday - Friday 8am - 4:30pm (CST).**

# Table of Contents

<b>Table of Contents</b> .....	2	Hardware Included .....	3
<b>Warranty</b> .....	2	Package Contents .....	4
5 Year Frame Warranty .....	2	<b>Assembly</b> .....	5
<b>Pre-installation</b> .....	3	<b>Care and Cleaning</b> .....	6
Planning Installation .....	3		

# Warranty

For warranty and other helpful information, call 1-866-391-4908, Monday-Friday, 8AM-4:30PM (EST).

# Pre-installation

## PLANNING INSTALLATION

PLEASE READ COMPLETE INSTRUCTION MANUAL PRIOR TO ASSEMBLY!

Identify all parts packed in the carton against the parts list. Remove all protective materials and place the parts on a nonabrasive surface to avoid scratching.



**NOTE:** More than one person may be required to complete the assembly of this product.

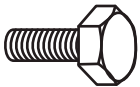
## TOOLS REQUIRED



M6 Hex wrench (Included)

## HARDWARE INCLUDED

**NOTE:** Hardware not shown to actual size



\_\_\_ AA

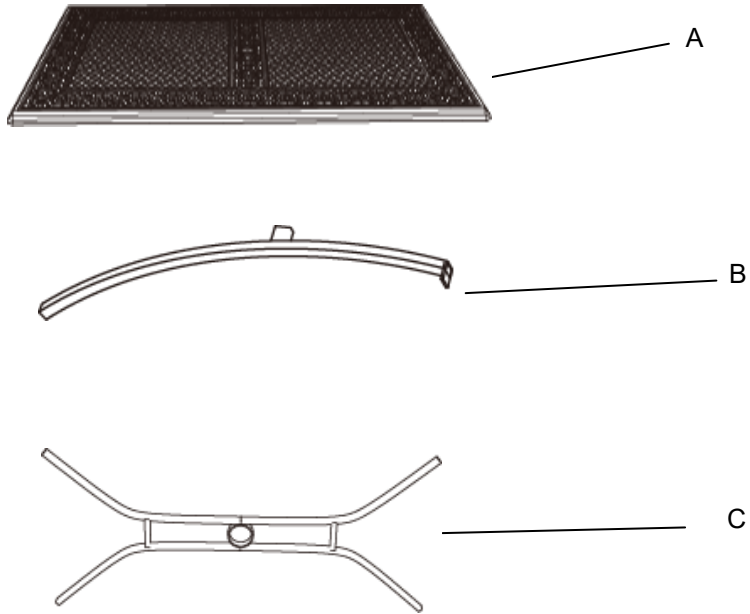


\_\_\_ BB

Part	Description	Quantity
AA	M6*15 Hex bolt	16
BB	Washer	16

# Pre-installation

## PACKAGE CONTENTS

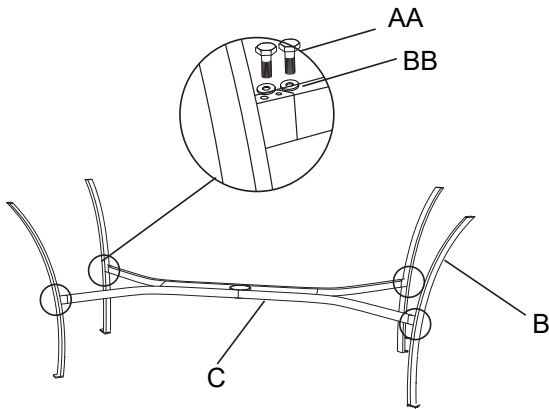


Part	Description	Quantity
A	Table top	1
B	Legs	4
C	Support ring	1

# Assembly

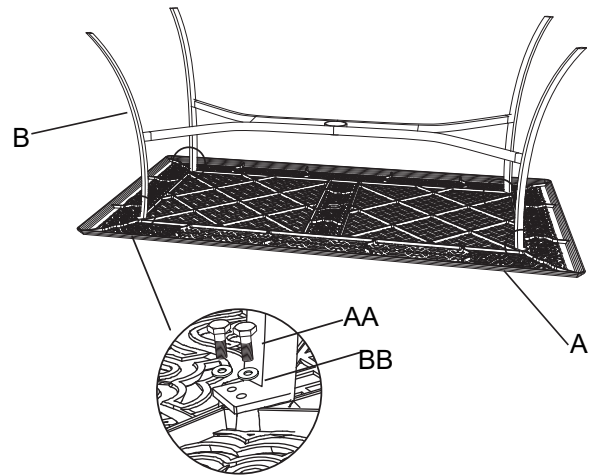
## 1 Attaching the support ring

- Attach the support ring (C) to the table legs (B) using the M6x15 hex bolts (AA) and washers (BB). Do not fully tighten the bolts.



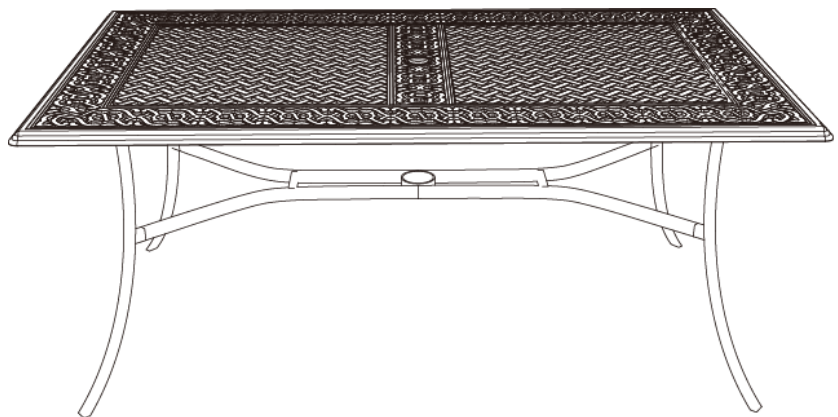
## 2 Attaching the legs

- Attach the table legs (B) to the table top (A) using the M6x15 hex bolts (AA) and washers (BB).
- Ensure all the bolts are assembled correctly. Tighten all the hex bolts (AA) with wrench.



## 3 Positioning the table

- Turn the table over and set it down on its legs.
- The table is now ready for use.



## Care and Cleaning

---

- Do not allow water to build up in frames. This will cause corrosion and possible freeze damage in cold climates.
- Use a mild soap and water for normal cleaning. DO NOT use janitorial or alcohol based cleaners. Some cleaners may be marked as natural, but some ingredients may cause discoloration or have an adverse reaction to your finish.
- Rinse with clean water and dry with a soft, absorbent cloth towel.
- Treat frames with a liquid wax for maximum protection against UV rays and /or salty, damp air.

**If you have any problems with this product,  
CALL OUR CUSTOMER SERVICE HOTLINE at**

**1-866-391-4908**

**Monday - Friday 8am - 4:30pm (CST).**

Retain this manual for future use.