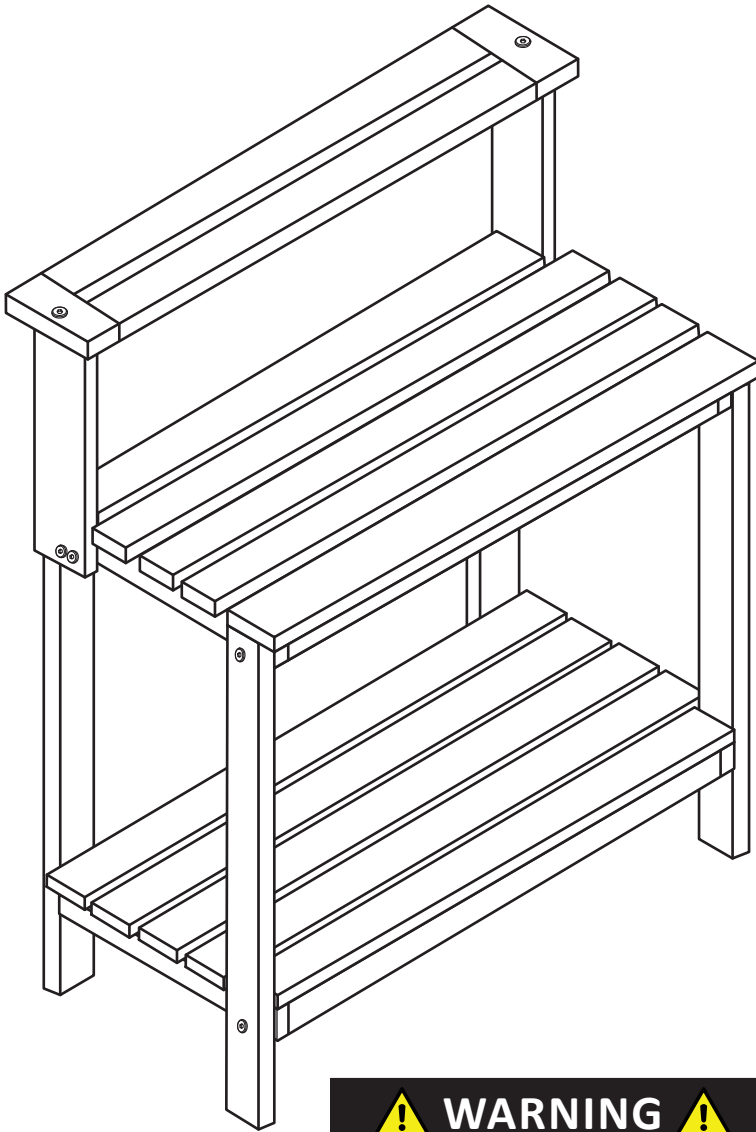


# OUTDOOR POTTING BENCH LAM-622

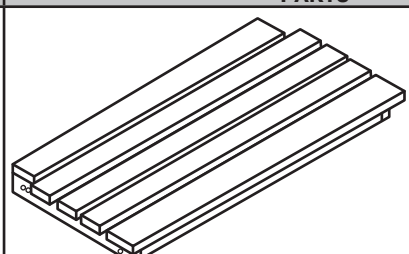
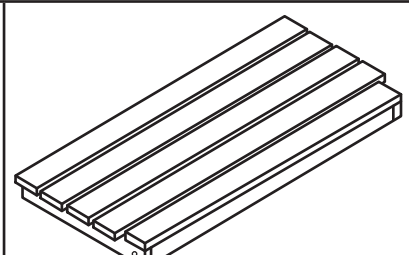
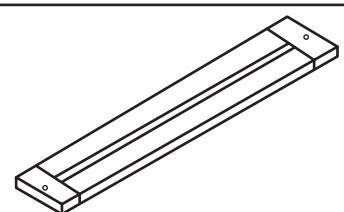
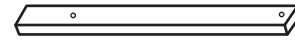
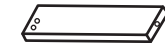

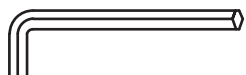
Read all assembly and care instructions carefully before using this product. Save this manual for future reference.  
**Assemble components on a soft, clean surface to avoid damaging the finish.**



Inspect packaging to ensure all parts are accounted for before disposing of packing materials.



**⚠ WARNING ⚠**  
**CHOKING HAZARD** — This item contains small parts that can be swallowed. Keep children away during assembly.

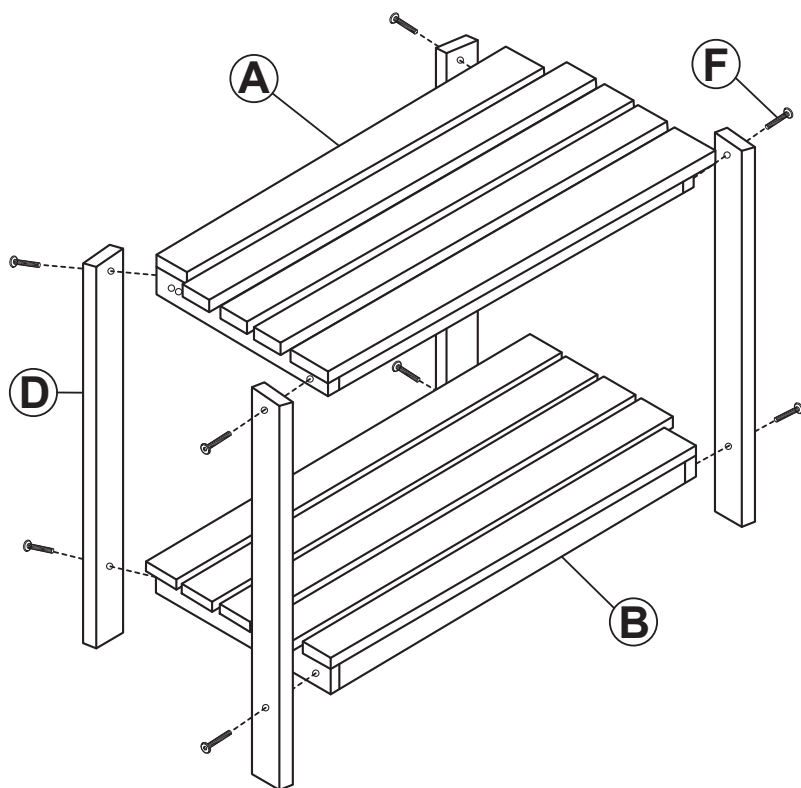
| No. | PARTS   | QTY. |
|-----|---|------|
| A   |  Work Surface     | 1    |
| B   |  Bottom Shelf   | 1    |
| C   |  Top Shelf      | 1    |
| D   |  Leg            | 4    |
| E   |  Shelf Support | 2    |
| F   |  JCBC M6 x 40mm | 14   |
| G   |  Hex Key        | 1    |

## ⓘ HELPFUL HINT

This item was treated with teak oil at the factory. Apply a suitable wood oil at least once a year, or when the wood looks particularly dry. Left untreated, the wood will weather to a silvery gray color.

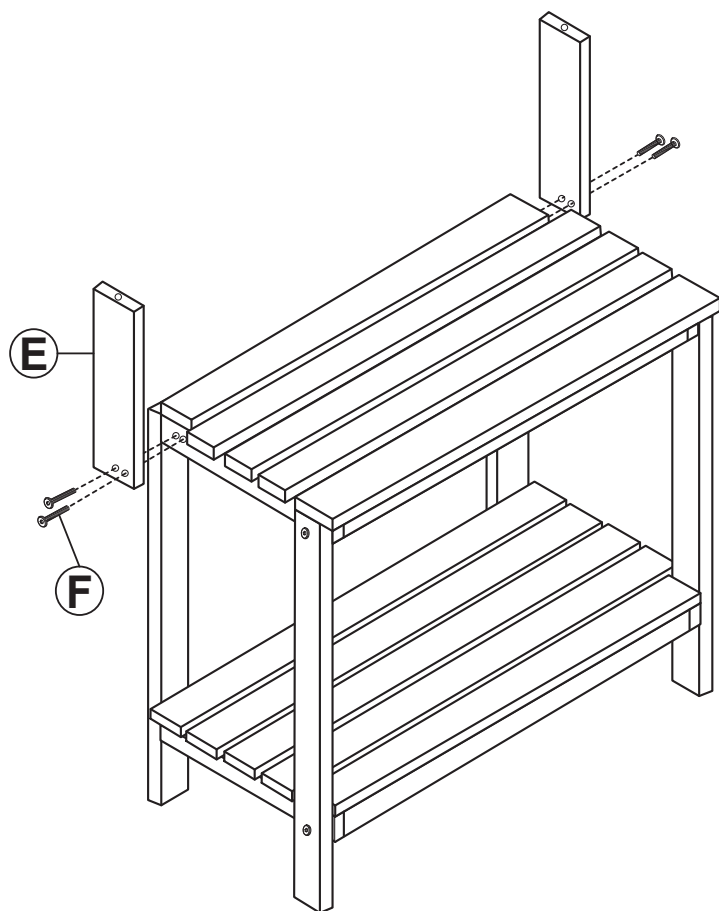
# ASSEMBLY

*Do not fully tighten any bolt until all bolts have been placed.*



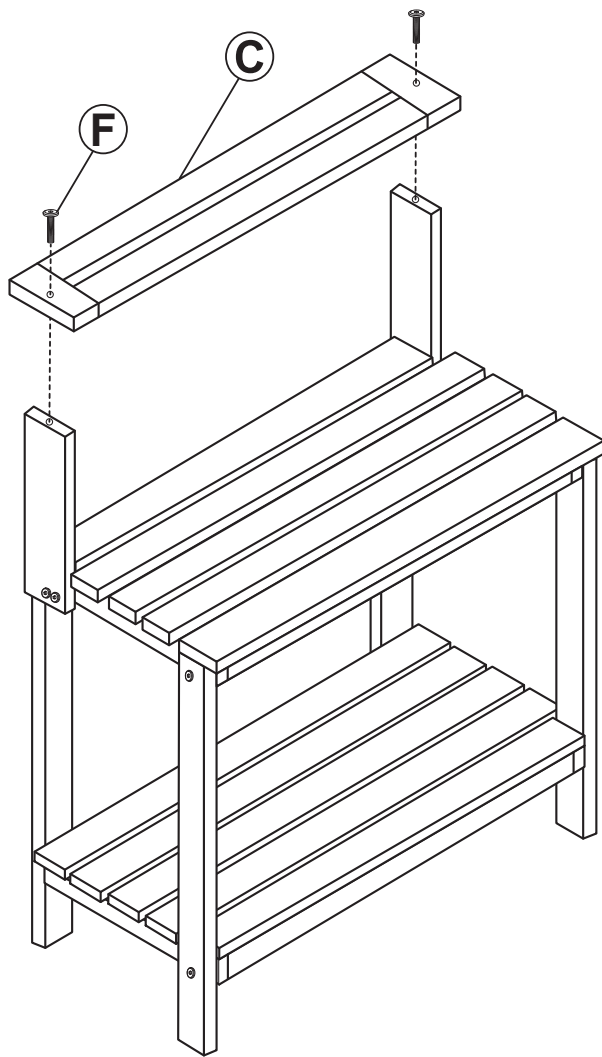
## STEP 1

1. Align the holes of 4x Leg (D) with Bottom Shelf (B) and loosely fasten using 4x JCBC M6 x 40mm Bolt (F).
2. Attach Work Surface (A) to 4x Leg (D) by hand-tightening 4x JCBC M6 x 40mm Bolt (F).



## STEP 2

1. Align the holes on the bottom of Shelf Support (E) with the holes on the side of the work surface.
2. Secure Shelf Support (E) to the work surface by hand-tightening 2x JCBC M6 x 40mm Bolt (F).
3. Repeat this step on the opposite side of the potting bench.



## STEP 3

1. Place Top Shelf (C) onto the shelf supports.
2. Secure Top Shelf (C) with 2x JCBC M6 x 40mm Bolt (F).

## STEP 4 (NOT SHOWN)

1. Gently tighten all bolts using Hex Key (G).

## USE & CARE

**SAFE USE:** Only use on a flat, level surface.

**INSPECT:** Periodically check assembly points and tighten fittings as necessary.

**CLEANING:** Identify the direction of the woodgrain. Following the direction of the woodgrain, wipe surfaces with a soft cloth.

**MAINTENANCE:** This item was treated with teak oil at the factory. Apply a suitable wood oil at least once a year, or when the wood looks particularly dry. Follow application instructions as noted with the suitable wood oil (not included).

**STORAGE:** Protect this item from ice and snow. Store indoors, in a dry location. Covering the unit while in storage will help prevent dust buildup.

Any modification to the product or failure to follow recommended care will void the product warranty.

## WARNING:

Manufacturer and seller expressly disclaim any and all liability from personal injury, property damage or loss, whether direct or indirect, or incidental, resulting from the incorrect attachment, improper use, inadequate maintenance, or neglect of this product.