

KPF-3121

Transitional Bridge Pull Down Kitchen Faucet

Faucet Dimensions

Overall Height: 16"
 Spout Height: 7 3/4"
 Spout Reach: 9 3/8"

Features

- Pull Down Bridge Faucet
- Brass Construction
- Lead Free Brass Waterway
- 360° Swivel Spout
- Flow Rate: 1.8 gpm (6.8L/min) @ 60 psi
- 3 Hole Installation
- Three Function Sprayhead - Spray/Stream/Sweep
- Quarter Turn Ceramic Disk Cartridge
- 24" Integrated Nylon Waterlines
- Dome Shaped Screen Washer
- Quick Connect Sprayer Hose
- 11 3/4" Hose Length
- Connections 3/8" Compression
- Max Deck Thickness: 2 1/2"
- TPI of aerator in the Sprayer - M20 x 1

Accessories Included

- Weight

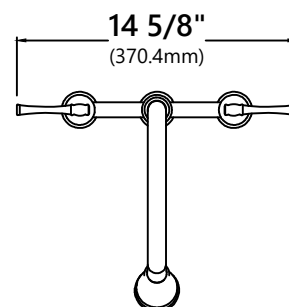
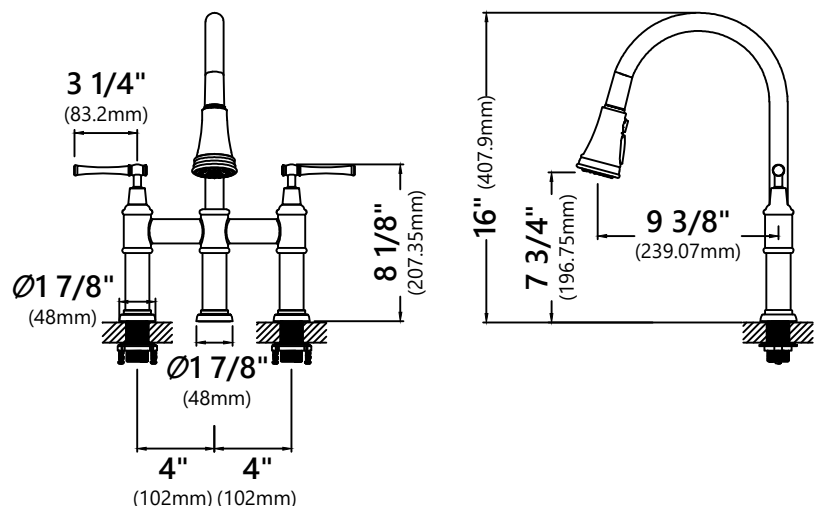
Available Finishes

- Spot Free Stainless Steel
- Matte Black
- Brushed Gold

CODES/STANDARDS:

Product Certification

cUPC (ASME A112.18.1/CSA B125.1)
 NSF/ANSI Standard 61 and 372 certified by IAPMO
 CAL GREEN, CEC, DOE



NOTE: Some Kitchen Faucets that do not have a pull out or pull down sprayer may be connected to a portable dishwasher. Pull out and pull down faucets should never be connected to portable dishwashers because potential pressure fluctuations during washing cycles cause hose ruptures or leaks.

Warranty

Kraus Limited Lifetime Warranty
 see website for details www.kraususa.com

FF-102

Transitional Drinking Water Filtration Faucet

Faucet Dimensions

Overall Height: 10 3/8"
 Spout Height: 8 3/8"
 Spout Reach: 4 1/2"

Features

- Filter Faucet
- Brass Construction
- Lead Free Brass Waterway
- Flow Rate: 1.0 gpm (3.79L/min) @ 60 psi
- Stream Function
- Quarter Turn Ceramic Disk Cartridge
- 3/8" Push In Water Supply Connection
- Max Deck Thickness: 3 1/16"
- Fits Most Under-Counter Drinking Water Systems

Accessories Included

- Hex Wrench
- 1/4" Push In Water Supply Connection

Available Finishes

- Spot Free Stainless Steel
- Matte Black
- Brushed Gold

CODES/STANDARDS:

Product Certification

cUPC (ASME A112.18.1/CSA B125.1)
 NSF/ANSI Standard 61 and 372 certified by IAPMO
 CAL GREEN, CEC, DOE, ADA

NOTE: Some Kitchen Faucets that do not have a pull out or pull down sprayer may be connected to a portable dishwasher. Pull out and pull down faucets should never be connected to portable dishwashers because potential pressure fluctuations during washing cycles cause hose ruptures or leaks.

Warranty

Kraus Limited Lifetime Warranty

see website for details www.kraususa.com

