

# KHU101-24L

24 Inch Handmade Undermount  
Single Bowl Laundry & Utility Sink

# Kräus<sup>®</sup>

SPECIFICATION SHEET

## Sink Dimensions

Overall Dimensions: 24" x 18 1/2"

Bowl Dimensions: 22 1/2" x 17"

Sink Depth: 12"

## Features

- 16 Gauge Stainless Steel Construction
- Undermount Installation
- Single Bowl Handmade Sink
- Required Minimum Cabinet Size: 27" Left to Right, 24" Front to Back
- Rear Center-Set Drain
- 3 1/2" Drain Opening
- NoiseDefend Undercoating and Sound Dampening Pads

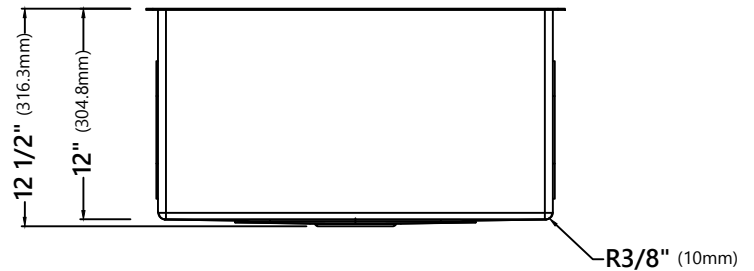
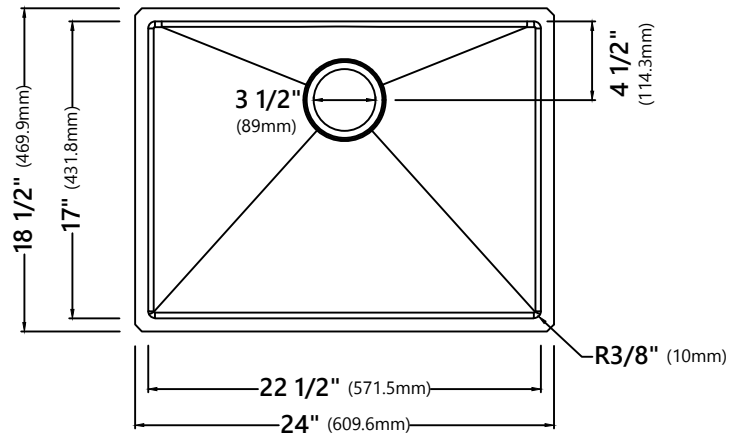
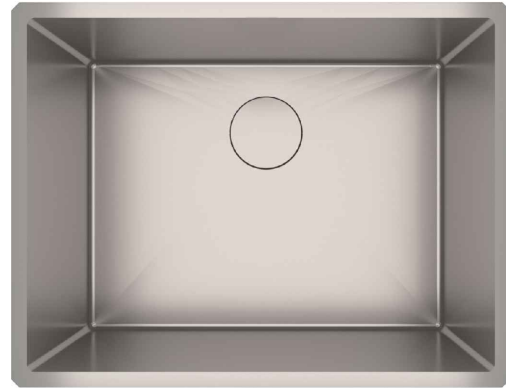
## Accessories Included

- Strainer ST-1
- Drain Cap STC-2
- Bottom Grid KBG-101-24
- Cut-Out Template
- Mounting Hardware

## CODES/STANDARDS:

### Product Certification

cUPC (ASME A112.19.3/CSA B45.4)



## Warranty

Kraus Limited Lifetime Warranty

see website for details [www.kraususa.com](http://www.kraususa.com)

## ST-1

### Stainless Steel Kitchen Sink Strainer

#### Strainer Dimensions

Overall Dimensions:  $\phi 4 \frac{1}{2}''$  x  $3 \frac{3}{4}''$

#### Features

- Premium Stainless Steel construction
- Fits Standard  $3 \frac{1}{2}''$  or  $4''$  Drain Opening
- Open/Close Stopper Prevents Debris from Clogging Drain Pipe

#### Available Finishes

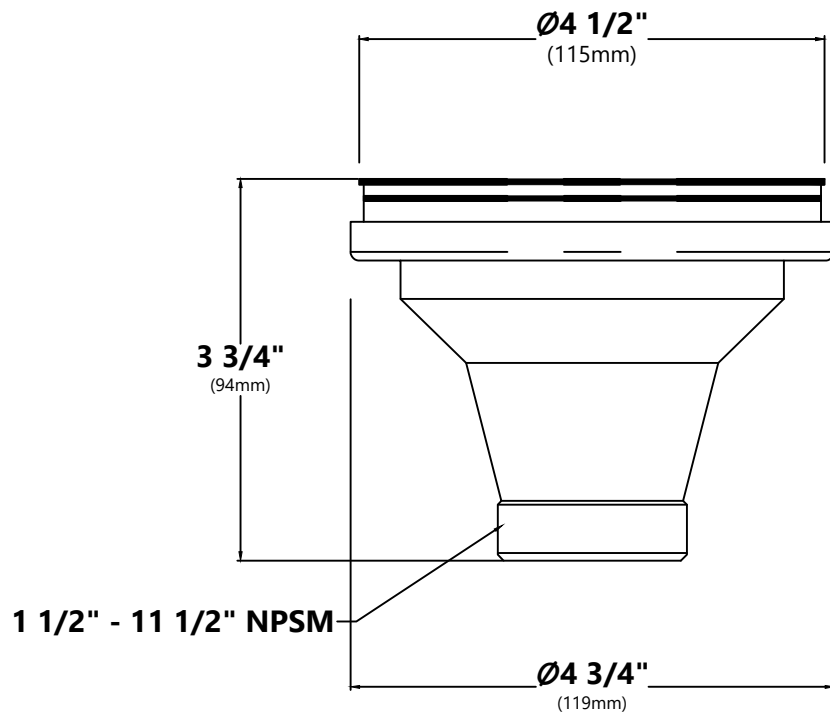
- Stainless Steel



#### Warranty

Kraus Limited Lifetime Warranty

see website for details [www.kraususa.com](http://www.kraususa.com)



## STC-2

### Removable Decorative Drain Cover

#### Drain Cap Dimensions

Overall Dimensions:  $\varnothing 4\ 1/2"$  x  $5/8"$

#### Features

- Premium Stainless Steel Construction
- Fits Standard  $3\ 1/2"$  Drain Opening
- Allows Water to Drain Easily When Installed
- Conceals Garbage Disposal and Waste Fittings for a Seamless Look
- Compatible with Standart Pro™, Pax™, Kore™, Outlast Microshield™ and Premier™ Kitchen sinks

#### Available Finishes

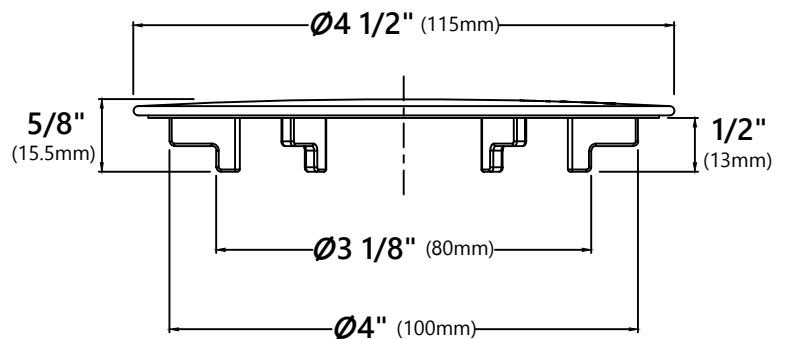
- Stainless Steel
- PVD Gunmetal



#### Warranty

Kraus Limited Lifetime Warranty

see website for details [www.kraususa.com](http://www.kraususa.com)



## KBG-101-24

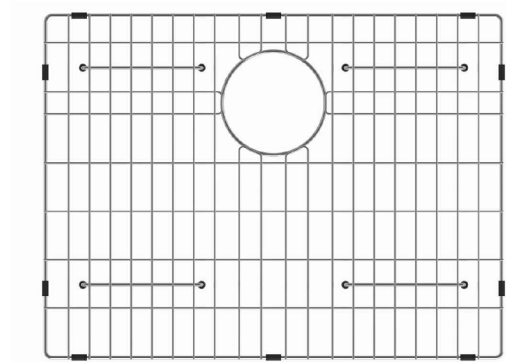
### Stainless Steel Kitchen Sink Bottom Grid

#### Grid Dimensions

Overall Dimensions: 22 1/8" x 16 5/8" x 7/8"

#### Features

- Commercial grade stainless steel construction
- For Use with the KHU101-24L kitchen sink
- Protects bottom of sink from daily wear and tear
- Rubber feet provide additional protection



#### Warranty

Kraus One Year Limited Warranty

see website for details [www.kraususa.com](http://www.kraususa.com)

