

KHU101-21

21 Inch Undermount Single Bowl Stainless Steel Kitchen Sink



SPECIFICATION SHEET

Sink Dimensions

Overall Dimensions: 21" x 18"

Bowl Dimensions: 19" x 16"

Sink Depth: 10"

Features

- 16 Gauge Stainless Steel Construction
- Undermount Installation
- Single Bowl Sink
- Required Minimum Cabinet Size: 24" Left to Right, 21" Front to Back
- Rear Center-Set Drain
- 3 1/2" Drain Opening
- NoiseDefend Undercoating and Sound Dampening Pads

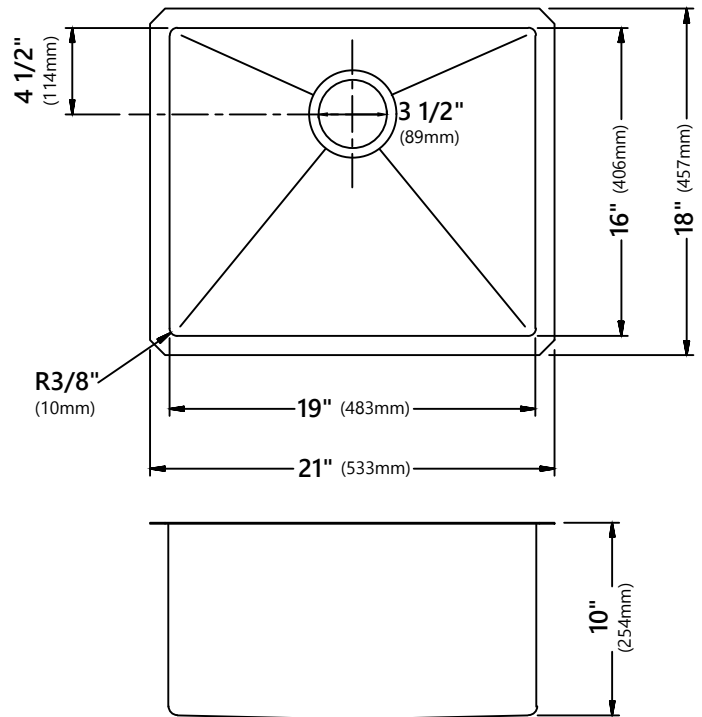
Accessories Included

- Strainer ST-1
- Bottom Grid KBG-101-21
- Cut-Out Template
- Mounting Hardware
- Towel

CODES/STANDARDS:

Product Certification

cUPC (ASME A112.19.3/CSA B45.4)



Warranty

Kraus Limited Lifetime Warranty

see website for details www.kraususa.com

KBG-101-21

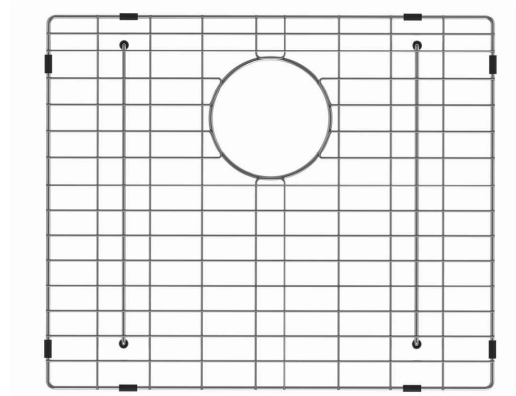
Stainless Steel Kitchen Sink Bottom Grid

Grid Dimensions

Overall Dimensions: 18 5/8" x 15 5/8" x 7/8"

Features

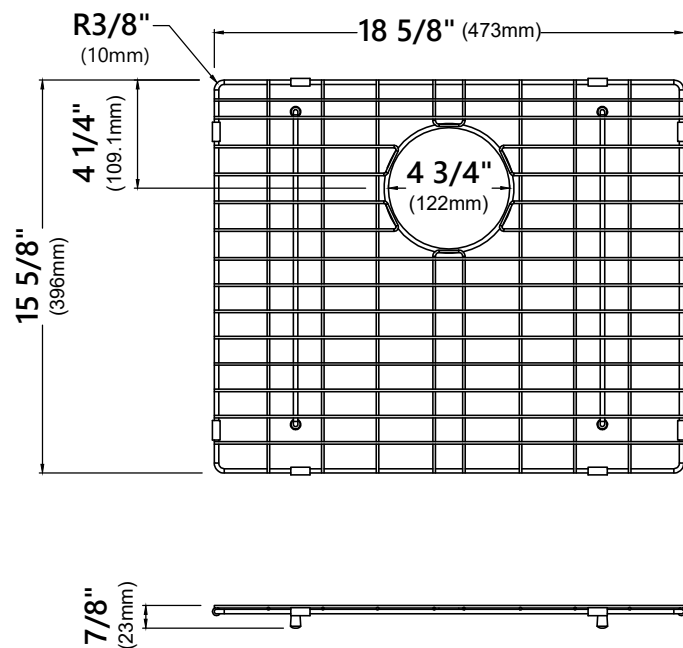
- Commercial grade stainless steel construction
- For Use with the KWU111-21 and KHU101-21 kitchen sinks
- Protects bottom of sink from daily wear and tear
- Rubber feet provide additional protection



Warranty

Kraus One Year Limited Warranty

see website for details www.kraususa.com



ST-1

Stainless Steel Kitchen Sink Strainer

Strainer Dimensions

Overall Dimensions: $\phi 4 \frac{1}{2}''$ x $3 \frac{3}{4}''$

Features

- Premium Stainless Steel construction
- Fits Standard $3 \frac{1}{2}''$ or $4''$ Drain Opening
- Open/Close Stopper Prevents Debris from Clogging Drain Pipe

Available Finishes

- Stainless Steel



Warranty

Kraus Limited Lifetime Warranty

see website for details www.kraususa.com

