

KHU101-13

13 Inch Undermount Single Bowl
Stainless Steel Kitchen Sink

Kräus®

SPECIFICATION SHEET

Sink Dimensions

Overall Dimensions: 13" x 15"

Bowl Dimensions: 11" x 13"

Sink Depth: 8"

Features

- 16 Gauge Stainless Steel Construction
- Undermount Single Bowl Sink
- Required Minimum Cabinet Size: 15" Left to Right, 20" Front to Back
- Rear Center-Set Drain
- 3 1/2" Drain Opening
- NoiseDefend Undercoating and Sound Dampening Pads

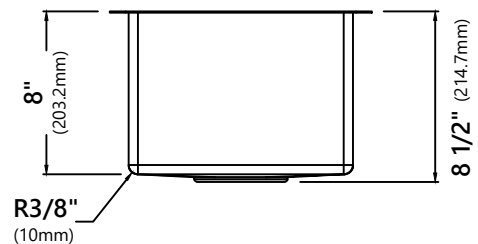
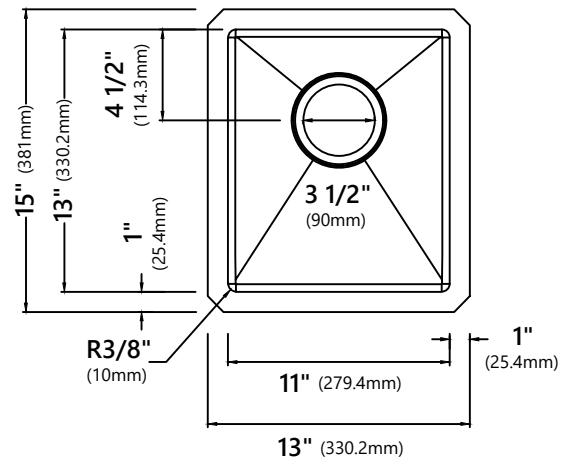
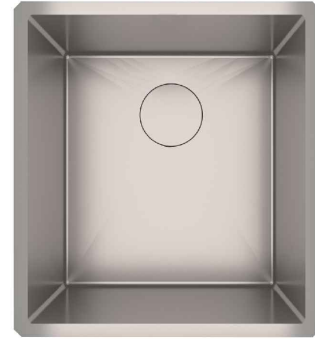
Accessories Included

- Strainer ST-1
- Drain Cap STC-2
- Towel
- Cut-Out Template
- Mounting Hardware

CODES/STANDARDS:

Product Certification

cUPC (ASME A112.19.3/CSA B45.4)



Warranty

Kraus Limited Lifetime Warranty

see website for details www.kraususa.com

ST-1

Stainless Steel Kitchen Sink Strainer

Strainer Dimensions

Overall Dimensions: $\phi 4 \frac{1}{2}$ " x $3 \frac{3}{4}$ "

Features

- Premium Stainless Steel construction
- Fits Standard $3 \frac{1}{2}$ " or 4" Drain Opening
- Open/Close Stopper Prevents Debris from Clogging Drain Pipe

Available Finishes

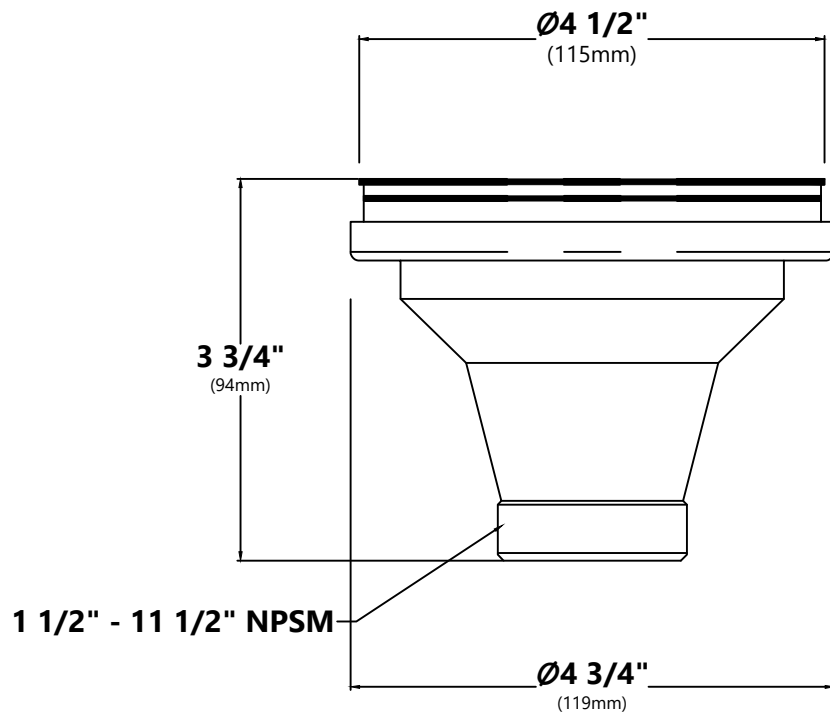
- Stainless Steel



Warranty

Kraus Limited Lifetime Warranty

see website for details www.kraususa.com



STC-2

Removable Decorative Drain Cover

Drain Cap Dimensions

Overall Dimensions: $\varnothing 4 \frac{1}{2}$ " x $\frac{5}{8}$ "

Features

- Premium Stainless Steel Construction
- Fits Standard $3 \frac{1}{2}$ " Drain Opening
- Allows Water to Drain Easily When Installed
- Conceals Garbage Disposal and Waste Fittings for a Seamless Look
- Compatible with Standart Pro™, Pax™, Kore™, Outlast Microshield™ and Premier™ Kitchen sinks

Available Finishes

- Stainless Steel
- PVD Gunmetal



Warranty

Kraus Limited Lifetime Warranty

see website for details www.kraususa.com

