

KHU101-10

10 Inch Undermount Single Bowl
Stainless Steel Kitchen Sink

Kräus®

SPECIFICATION SHEET

Sink Dimensions

Overall Dimensions: 9 1/2" x 18"

Bowl Dimensions: 7 1/2" x 16"

Sink Depth: 8"

Features

- 16 Gauge Stainless Steel Construction
- Undermount Single Bowl Sink
- Required Minimum Cabinet Size: 12" Left to Right, 21" Front to Back
- Rear Center-Set Drain
- 3 1/2" Drain Opening
- NoiseDefend Undercoating and Sound Dampening Pads

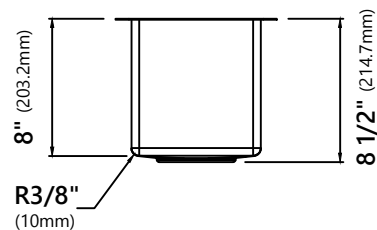
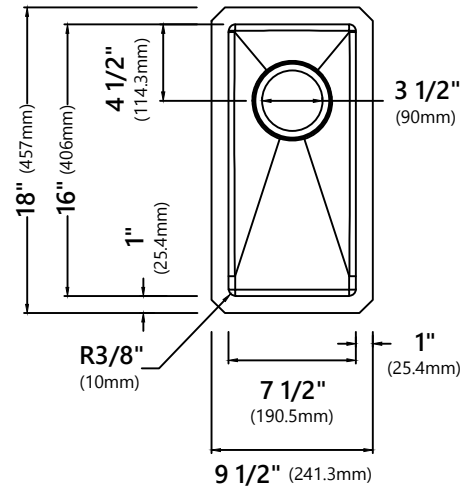
Accessories Included

- Strainer ST-1
- Drain Cap STC-2
- Towel
- Cut-Out Template
- Mounting Hardware

CODES/STANDARDS:

Product Certification

cUPC (ASME A112.19.3/CSA B45.4)



Warranty

Kraus Limited Lifetime Warranty

see website for details www.kraususa.com

ST-1

Stainless Steel Kitchen Sink Strainer

Strainer Dimensions

Overall Dimensions: $\phi 4 \frac{1}{2}''$ x $3 \frac{3}{4}''$

Features

- Premium Stainless Steel construction
- Fits Standard $3 \frac{1}{2}''$ or $4''$ Drain Opening
- Open/Close Stopper Prevents Debris from Clogging Drain Pipe

Available Finishes

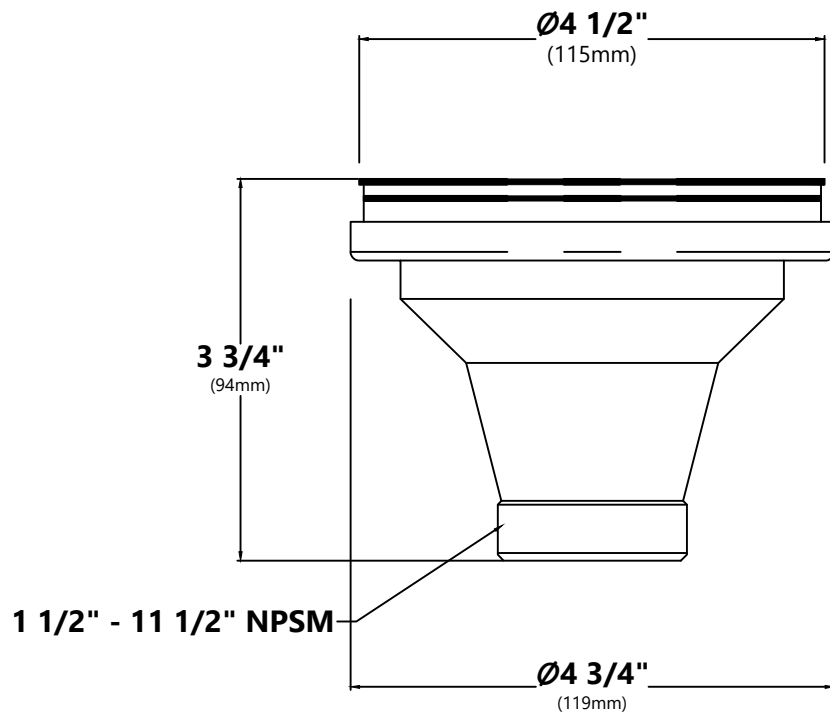
- Stainless Steel



Warranty

Kraus Limited Lifetime Warranty

see website for details www.kraususa.com



STC-2

Removable Decorative Drain Cover

Drain Cap Dimensions

Overall Dimensions: $\varnothing 4 \frac{1}{2}''$ x $\frac{5}{8}''$

Features

- Premium Stainless Steel Construction
- Fits Standard $3 \frac{1}{2}''$ Drain Opening
- Allows Water to Drain Easily When Installed
- Conceals Garbage Disposal and Waste Fittings for a Seamless Look
- Compatible with Standart Pro™, Pax™, Kore™, Outlast Microshield™ and Premier™ Kitchen sinks

Available Finishes

- Stainless Steel
- PVD Gunmetal



Warranty

Kraus Limited Lifetime Warranty

see website for details www.kraususa.com

