

Kräus[®]

INSTALLATION MANUAL

Handmade Stainless Steel Undermount Kitchen Sink

KHU100-26 / KHU100-28 / KHU100-30 / KHU100-32 /
KHU101-10 / KHU101-13 / KHU101-14 / KHU101-17 /
KHU101-20 / KHU101-21 / KHU101-22 / KHU101-23 /
KHU101-24L / KHU102-33 / KHU103-32 / KHU103-33 /
KHU104-33 / KHU105-32 / KHU110-27 / KHU111-24 /
KHU111-25 / KHU121-23 / KHU122-23 / KHU123-32

Congratulations on the purchase of your new Kraus plumbing fixture!

Please keep the box and packaging materials until your product is completely installed. If you have any questions, require technical assistance or have any problems with your product:



DO NOT RETURN TO STORE

**Please contact our Customer Service Team
1-800-775-0703 / customerservice@kraususa.com**

Have the model number available and retain a copy of your receipt with purchase date for reference.

If for any reason this product does not meet your expectations, please be sure to repack this product in the original box and packaging material to avoid damage during transit.

Prior to Installation:

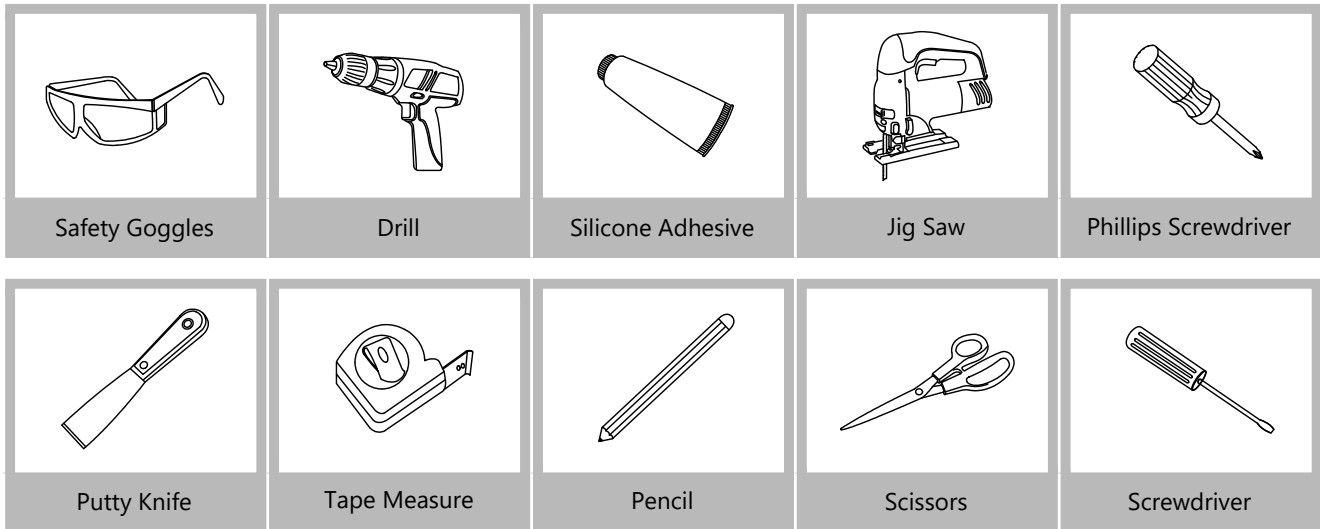
- Make sure that you have all necessary parts by checking the parts list. If any part is missing or damaged, please contact Kraus Customer Service at 800-775-0703 for a replacement
- Inspect the sink prior to installation to make sure that it has not been damaged or during shipping
- Use the cut-out template provided by Kraus
- Observe all plumbing and building codes according to your state requirements
- Not recommended to be installed with laminate countertop

For technical assistance or replacement parts, please contact Kraus Customer Service and one of our representatives will be happy to help:

Toll-Free: 800-775-0703 or customerservice@kraususa.com

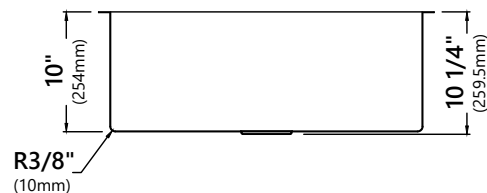
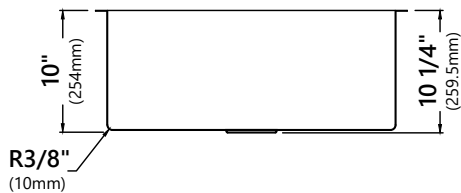
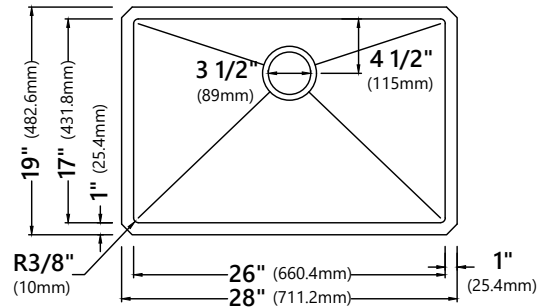
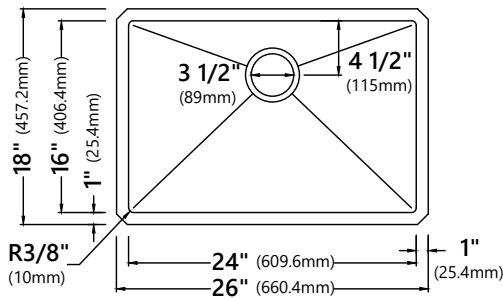
The step-by-step guidelines in the installation instructions are a general reference for installing a Kraus sink. Should there be any discrepancies, Kraus cannot be held liable. It is recommended to install all Kraus products by hiring a licensed professional.

Tools you will need:



NOTE: Specialized tools may be necessary to install Kraus Stainless Steel Kitchen sinks with countertop materials other than wood, marble or granite.

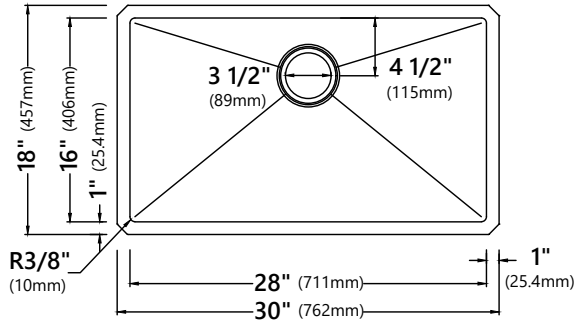
Dimensions:



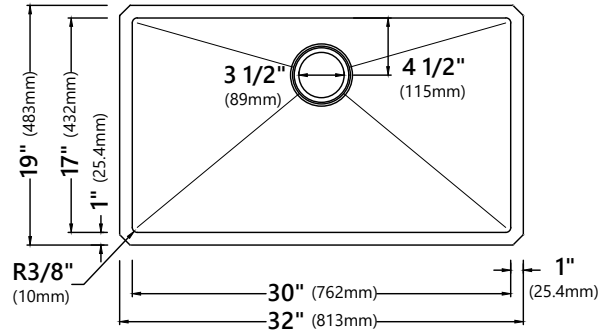
KHU100-26
 26" x 18" x 10"
 Min Cabinet Size: 30"
 Matching Grid: KBG-100-26
 Drain Model #: ST-1

KHU100-28
 28" x 19" x 10"
 Min Cabinet Size: 33"
 Matching Grid: KBG-100-28
 Drain Model #: ST-1

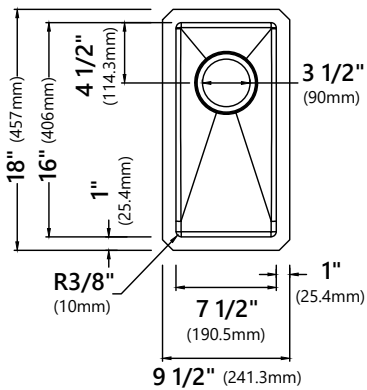
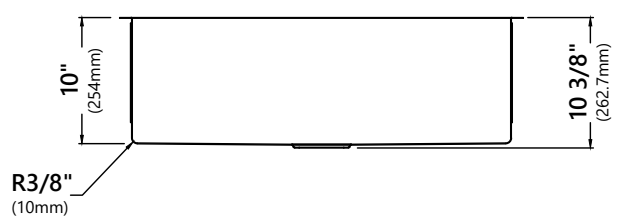
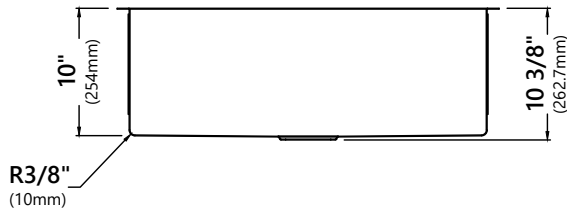
Dimensions:



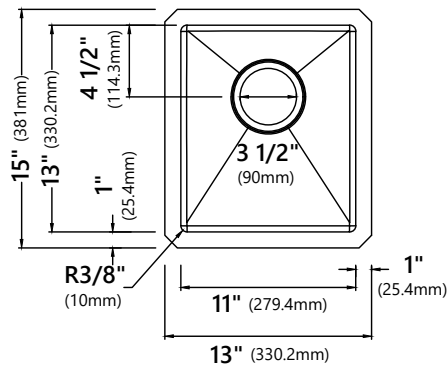
KHU100-30
 30" x 18" x 10"
 Min Cabinet Size: 33"
 Matching Grid: KBG-100-30
 Drain Model #: BST-1



KHU100-32
 32" x 17" x 10"
 Min Cabinet Size: 36"
 Matching Grid: KBG-100-32
 Drain Model #: BST-1



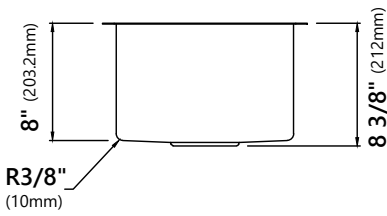
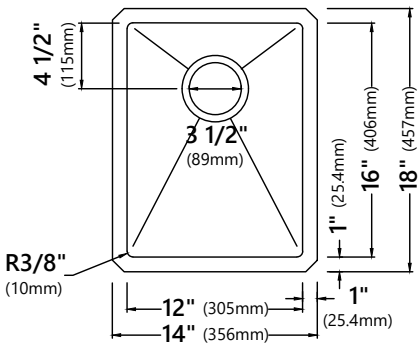
KHU101-10
 9 1/2" x 18" x 8"
 Min Cabinet Size: 12"
 Drain Cap #: STC-2
 Drain Model #: ST-1



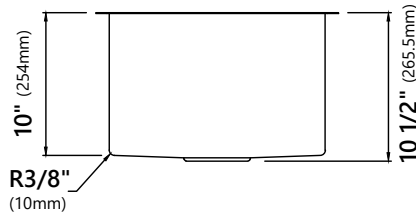
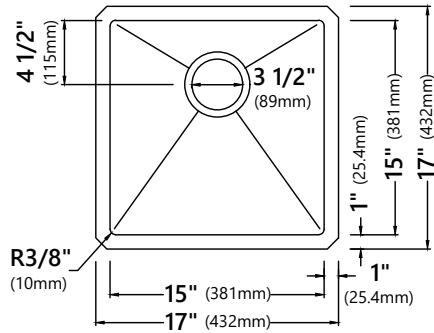
KHU101-13
 13" x 15" x 8"
 Min Cabinet Size: 15"
 Drain Cap #: STC-2
 Drain Model #: ST-1

Dimensions:

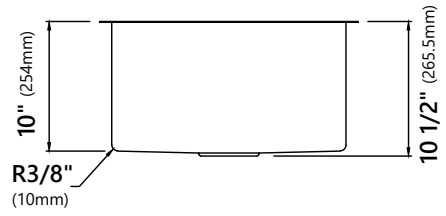
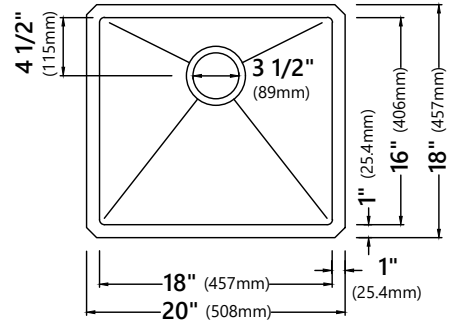
Typical note: * = Special Order



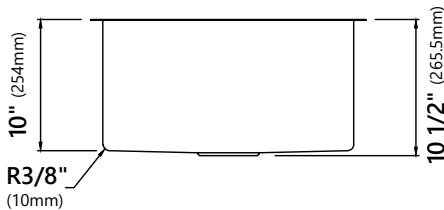
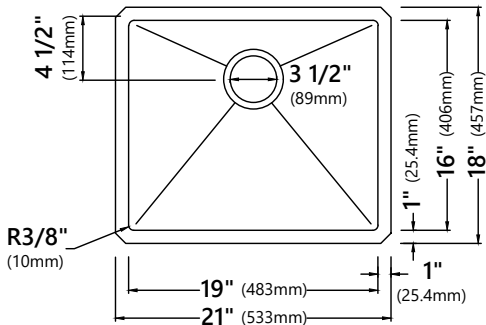
KHU101-14
 14" x 18" x 8"
 Min Cabinet Size: 18"
 Drain Model #: ST-1



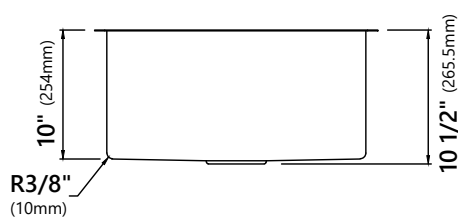
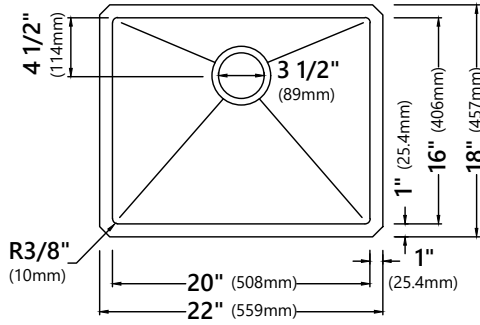
KHU101-17
 17" x 17" x 10"
 Min Cabinet Size: 21"
 Drain Model #: ST-1



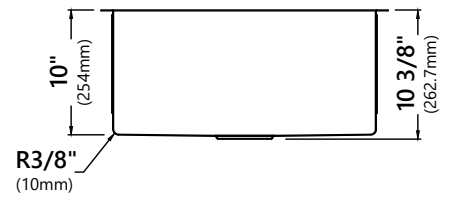
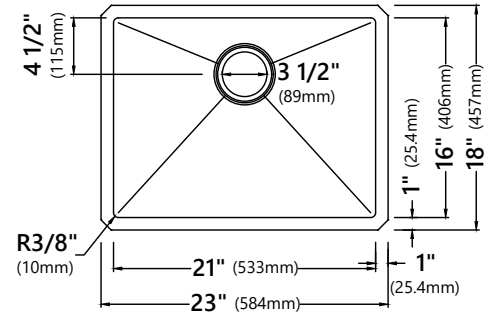
*** KHU101-20**
 20" x 18" x 10"
 Min Cabinet Size: 24"
 Matching Grid: KBG-101-20
 Drain Model #: ST-1



KHU101-21
 21" x 18" x 10"
 Min Cabinet Size: 24"
 Matching Grid: KBG-101-21
 Drain Model #: ST-1

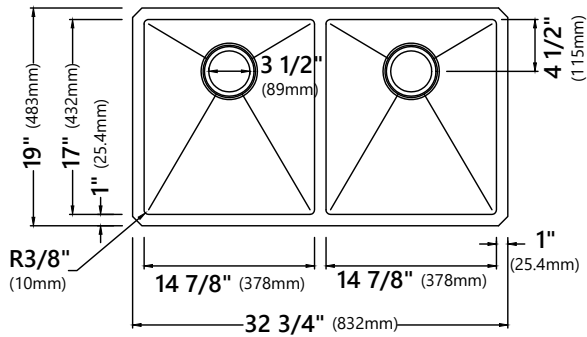


*** KHU101-22**
 22" x 18" x 10"
 Min Cabinet Size: 27"
 Matching Grid: KBG-101-22
 Drain Model #: ST-1

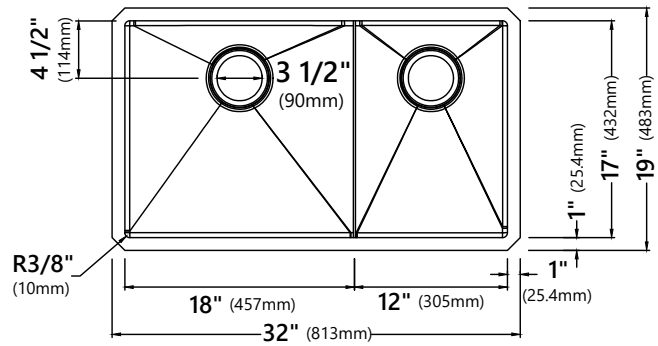


KHU101-23
 23" x 18" x 10"
 Min Cabinet Size: 27"
 Matching Grid: KBG-101-23
 Drain Model #: BST-1

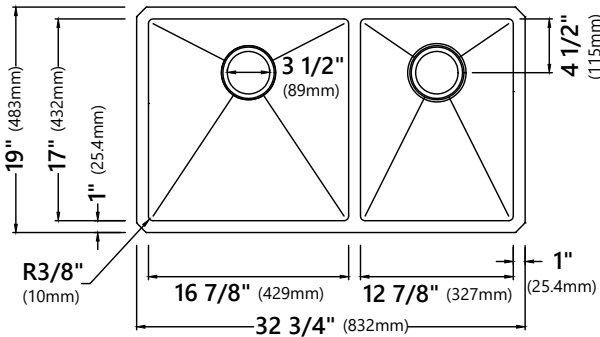
Dimensions:



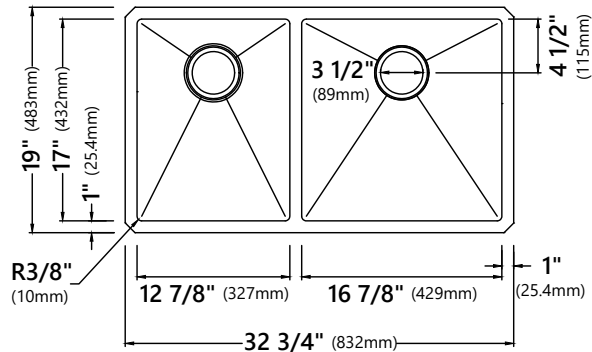
KHU102-33
 32 3/4" x 19" x 10"
 Min Cabinet Size: 36"
 Matching Grid: KBG-102-33-1
 and KBG-102-33-2
 Drain Model #: BST-1 & ST-1



KHU103-32
 32" x 19" x 10"
 Min Cabinet Size: 36"
 Matching Grid: KBG-103-32-1
 and KBG-103-32-2
 Drain Model #: ST-1 x 2
 Drain Cap #: STC-2 x 2

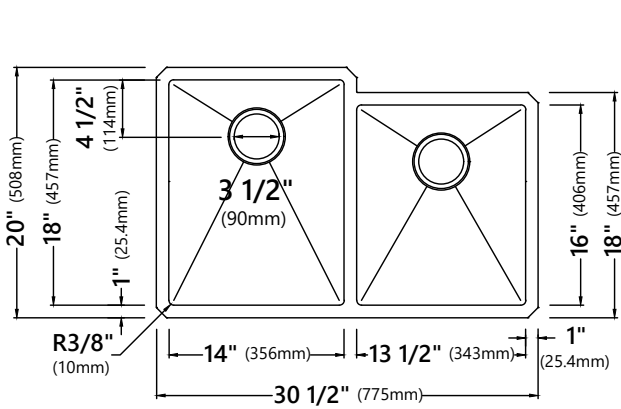


KHU103-33
 32 3/4" x 19" x 10"
 Min Cabinet Size: 36"
 Matching Grid: KBG-103-33-1
 and KBG-103-33-2
 Drain Model #: BST-1 & ST-1

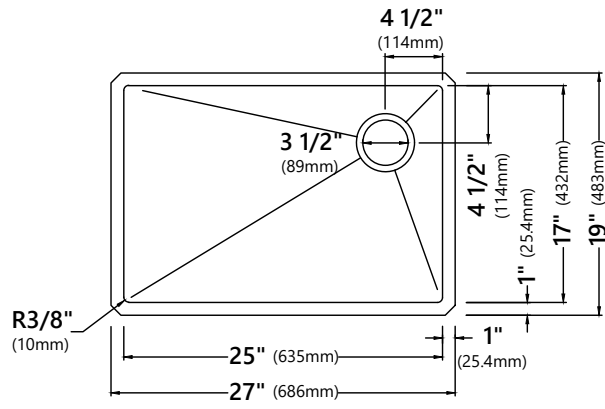


KHU104-33
 32 3/4" x 19" x 10"
 Min Cabinet Size: 36"
 Matching Grid: KBG-104-33-1
 and KBG-104-33-2
 Drain Model #: BST-1 & ST-1

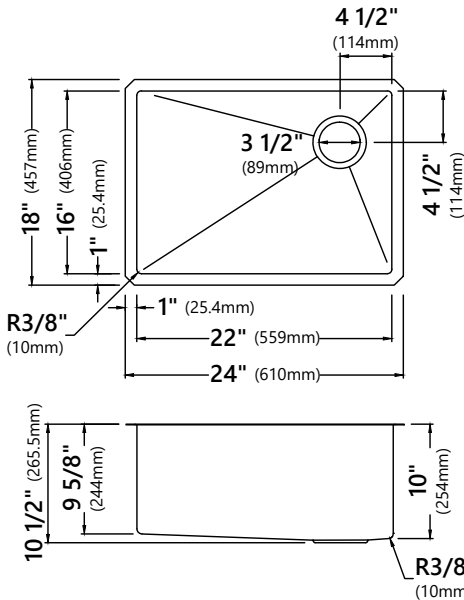
Dimensions:



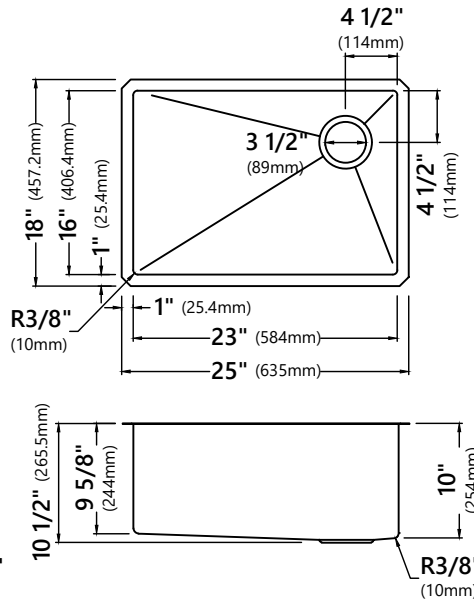
KHU105-32
 30 1/2" x 20" x 10"
 Min Cabinet Size: 36"
 Matching Grid: KBG-105-32-1 and
 KBG-105-32-2
 Drain Model #: BST-1 & ST-1



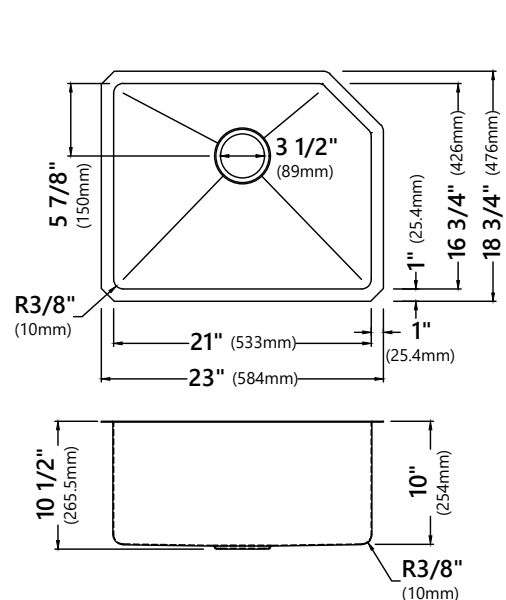
KHU110-27
 27" x 19" x 10"
 Min Cabinet Size: 30"
 Matching Grid: KBG-110-27
 Drain Model #: ST-1
 Drain Cap #: STC-2



KHU111-24
 24" x 18" x 10"
 Min Cabinet Size: 27"
 Matching Grid: KBG-111-24
 Drain Model #: ST-1

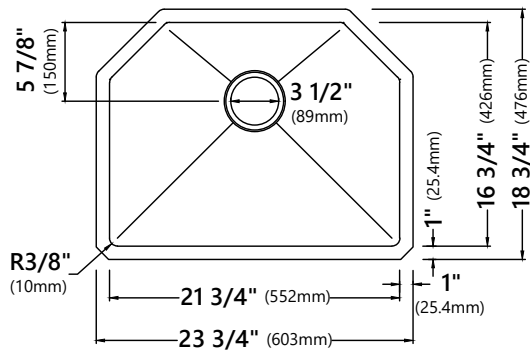


KHU111-25
 25" x 18" x 10"
 Min Cabinet Size: 30"
 Matching Grid: KBG-111-25
 Drain Model #: ST-1
 Drain Cap #: STC-2

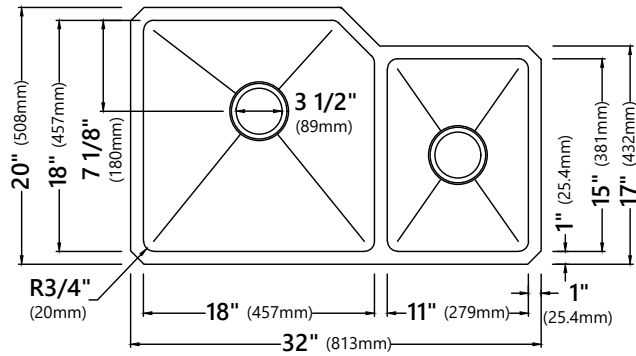


KHU121-23
 23" x 18 3/4" x 10"
 Min Cabinet Size: 27"
 Matching Grid: KBG-121-23
 Drain Model #: BST-1

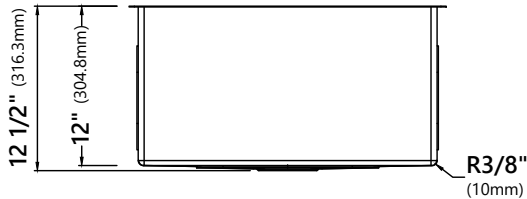
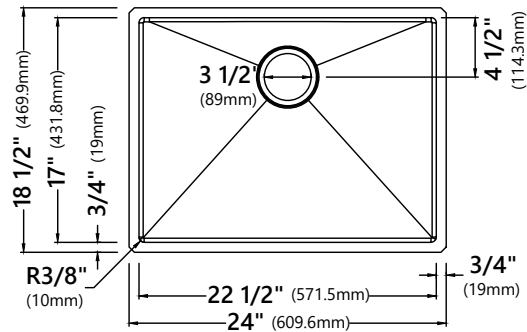
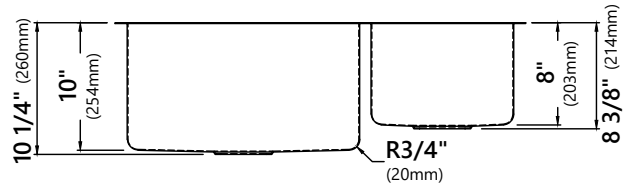
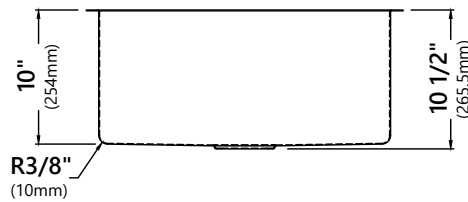
Dimensions:



KHU122-23
 23 3/4" x 18 3/4" x 10"
 Min Cabinet Size: 27"
 Matching Grid: KBG-122-23
 Drain Model #: BST-1



KHU123-32
 32" x 20" x 10"
 Min Cabinet Size: 36"
 Matching Grid: KBG-123-32-1
 and KBG-123-32-2
 Drain Model #: BST-1 & ST-1



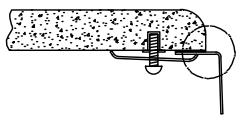
KHU101-24L
 24" x 18 1/2" x 12"
 Min Cabinet Size: 27"
 Matching Grid: KBG-101-24
 Drain Model #: ST-1
 Drain Cap #: STC-2

Undermount Installation

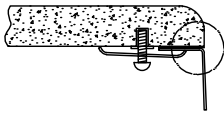
Step 1. Determine reveal type

- Use scissors to cut along the line of the paper template for your desired reveal type (Negative, Positive, or Flush Reveal)

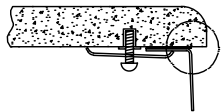
KRAUS Recommended Installation Type



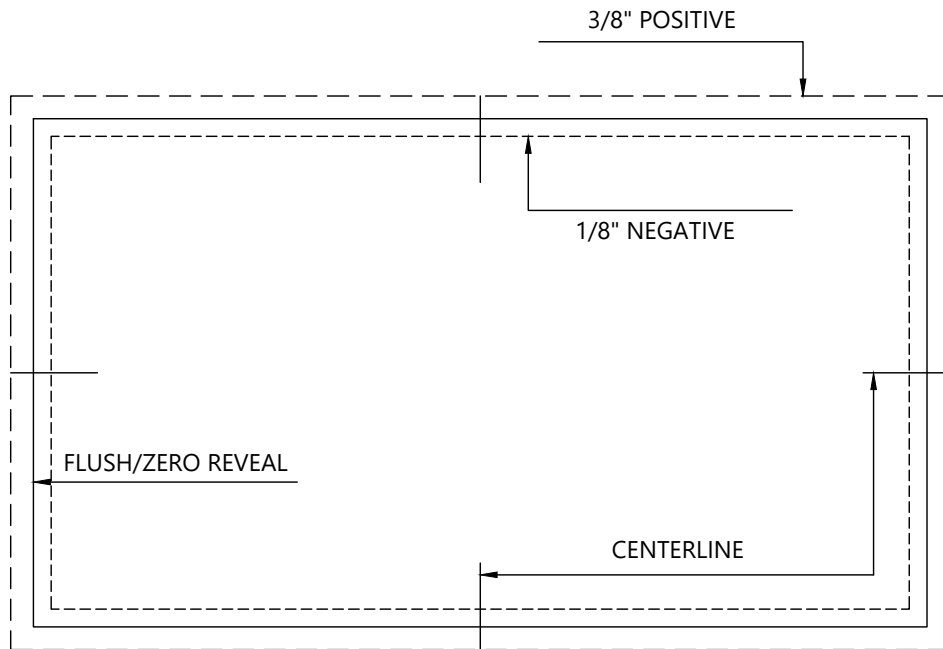
3/8" Positive Reveal



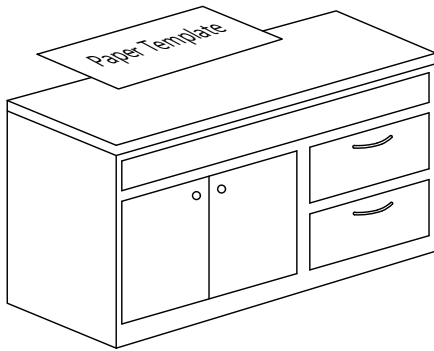
Flush/Zero Reveal



1/8" Negative Reveal



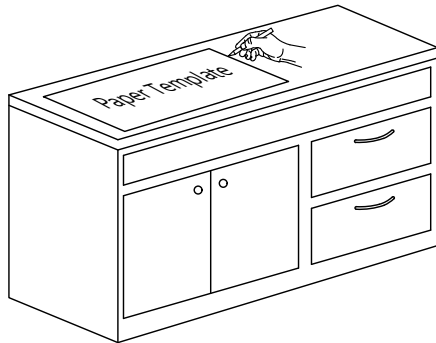
Step 2. Position template



- Check the cut-out template against the actual sink to ensure a proper sized cut-out.
- Place the cut-out template in the desired location on the countertop.

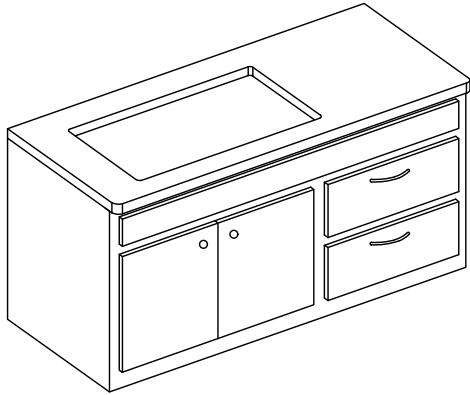
NOTE: Make sure clearance is suitable for backsplash, faucet and plumbing for the sink.

Step 3. Trace Template



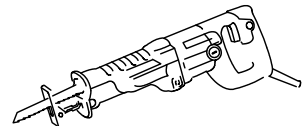
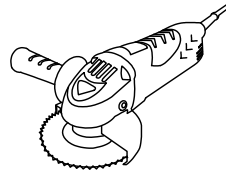
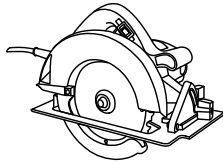
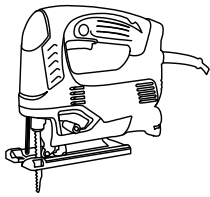
- Trace template on countertop with a pencil.

Step 4. Cut countertop

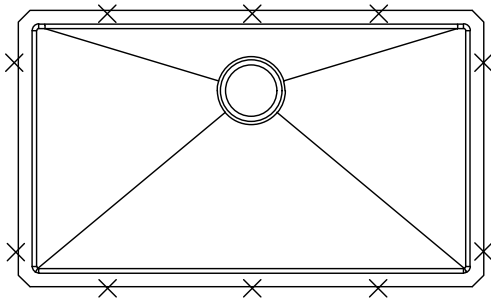


- Cut the opening in the countertop by carefully following the traced line.

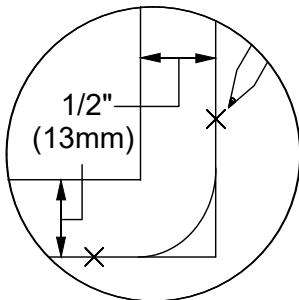
NOTE: Please use the appropriate saw that best fits your countertop material.



Step 5. Set up mounting brackets

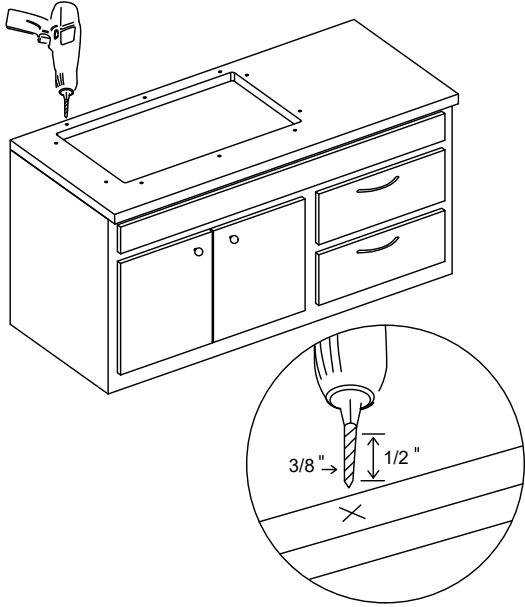


- Turn countertop over and align sink with countertop. Decide location for mounting brackets.
- Mounting holes should be 1/2" from edge of sink.



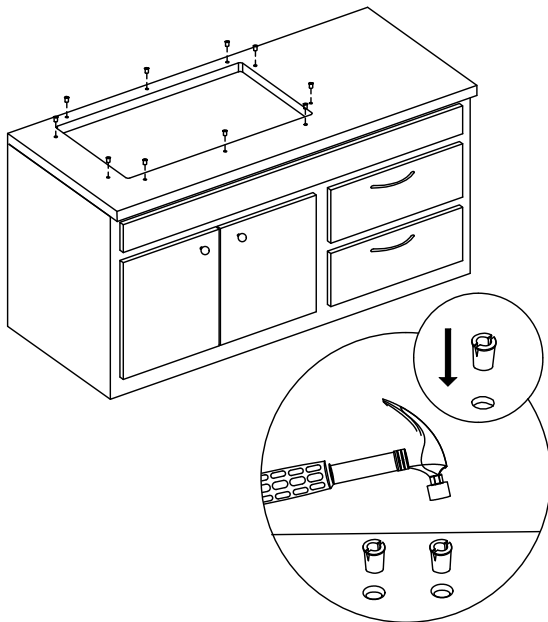
Step 6. Drill hole in countertop

- Drill 3/8" diameter x 1/2" deep hole in the countertop.



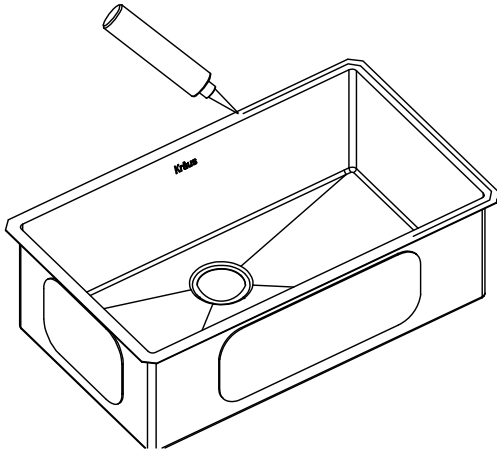
Step 7. Install anchors

- Insert anchors into drilled holes and lightly tap with a hammer until flush.



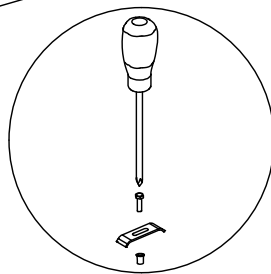
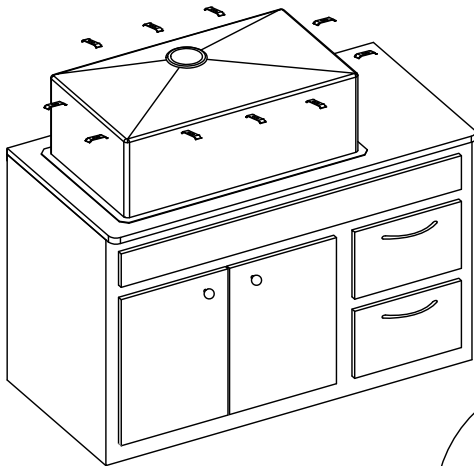
Step 8. Secure sink to countertop

- Use a bead of silicone (or preferred adhesive) around the rim of the sink. Check the alignment of the sink to the cutout in the countertop. Place sink over cutout hole and press firmly.



Step 9. Attach mounting hardware

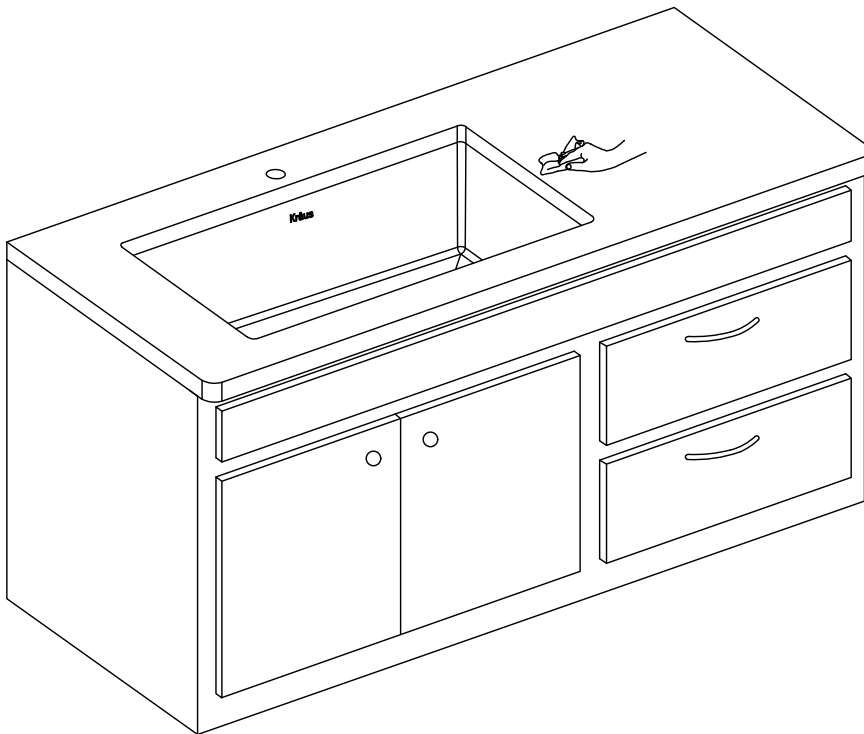
- Attach mounting hardware to secure bowl. Remove excess sealant from inside lip.
- Allow sealant to set for 30 - 60 minutes.



NOTE: Use acetone or rubbing alcohol to remove any excess sealant.

Step 10. Install plumbing fixtures

- Connect drain to sink. Connect trap to drain. Connect water supply connections to faucet according to manufacturer's instructions.
- Run water into sink and check for leaks.
- **Note:** Before installation, please check that the drain kit complies with ASME A112.18.2/CSA B125.2 and with CUPC certification.



Maintenance

Clean your sink on a regular basis with warm soapy water. Rinse the sink after using cleaning products. Wipe the sink surface with a soft cloth to remove any liquid residue. Do not cut food directly on the surface of the sink. Do not leave sharp objects on the surface of the sink for an extended period of time. Do not use abrasive cleaning products, sanding tools, steel wool or bleaching products.

Codes/Standards Applicable



Kitchen Sink Warranty

Kraus products are manufactured and tested to the highest quality standards by Kraus USA Inc. ("Kraus").

Kraus extends this warranty to the original purchaser for personal household use of the "Kitchen Sink" in its original location. The warranty is non-transferable.

Kraus warrants the structure and finish of the product to be free from defects in material and workmanship under normal usage for the lifetime of the product. The warranty commences from the initial date of purchase by the owner or trade professional, from an authorized Kraus dealer, through the lifetime of the original owner or end-user.

Any product reported to the authorized dealer or to Kraus as being defective within the warranty period will be repaired or replaced with a product of equal value at the option of Kraus. This warranty extends to the original owner or end-user, and is not transferable to a subsequent owner.

Restrictions

This warranty does not cover antediluvian, discontinued, or display products, whether such items are purchased at discount outlets, unauthorized dealers, and/or sold on clearance.

This warranty does not cover instances of negligence, misuse, abuse, improper installation, carelessness, accident, hard water or mineral deposits, exposure to corrosive materials, misapplication, damages caused by improper maintenance, alteration of the product, or failure to follow care or installation instructions enclosed with your product. Avoid using abrasive cleaners such as powders, bleach, ammonia, alcohol, or chlorine. Avoid using abrasive pads, steel wool, or wire brushes, as these will damage and wear down the finish.

This warranty does not apply to Products that have not been installed or operated in accordance with instructions supplied by Kraus and all applicable rules, regulations, and legislation pertaining to such installations.

This warranty does not apply unless the Kraus product is installed by a fully insured and licensed trade professional. Kraus insists that such professionals have experience in the installation of bathroom and kitchen manufactured goods.

This warranty does not cover labor charges or costs of removal and reinstallation of said product. This warranty does not allow recovery of incidental or consequential damages, such as loss of use, delay, property damage, or other consequential damages, and Kraus accepts no liability for such damages.

This warranty does not cover Marine or Outdoor Installation.

This warranty does not cover any free gifts included with purchase.

Except as otherwise provided above, Kraus makes no warranties, expressed or implied, including warranties of merchantability and fitness for a particular purpose, or compliance with any code.

Shipping charges will be covered for the first (1) year of the warranted replacement part or product (HI, AK, and Puerto Rico shipping charges may apply). International shipping fees are not included.

COMMERCIAL WARRANTY

Kraus extends the above warranty for a period of one (1) year to purchasers of products for industrial, commercial, and business use.

All incidental or consequential damages are specifically excluded. No additional warranties, express or implied, are given, including but not limited to any implied warranty of merchantability or fitness for a particular purpose.

Some states do not allow the exclusion or limitation of incidental or consequential damages or limitations on how long an implied warranty lasts, so the above limitations or exclusions may not apply to you.

This warranty gives you specific legal rights, and you may also have other rights which vary from state to state.

KRAUS USA has the right to change, modify, and/or update the warranty policy at any time. For the latest, most up to date comprehensive warranty, go to www.kraususa.com/warranty

If you are a homeowner please contact a Kraus Customer Service Representative at:

Kraus USA, Inc.
12 Harbor Park Drive
Port Washington, NY 11050
Toll-free 800-775-0703
Customerservice@kraususa.com

If you are a plumbing contractor or trade professional please contact a Kraus Pro Representative at:

Kraus USA, Inc.
12 Harbor Park Drive
Port Washington, NY 11050
516-801-8955
Proservice@kraususa.com

If you are an Authorized Partner please contact a Partner Support Representative at:

Kraus USA, Inc.
12 Harbor Park Drive
Port Washington, NY 11050
516-801-8954
Partnersupport@kraususa.com

In requesting warranty service, please be ready to provide:

1. Proof of purchase.
2. A description of the problem.

Download the Kraus Care & Maintenance Guide at:
<http://www.kraususa.com/maintenance>

IMPORTANT

Register Your Kraus Product

Activate Your Warranty

Access Premium Customer Support

Get Product Information

REGISTER TODAY

<http://www.kraususa.com/registration>



Kräus[®]
www.kraususa.com



INSTALLATION GUIDE

Kitchen Strainer

ST-1 / ST-2 / ST-3 / BST-1 / BST-2

Congratulations on the purchase of your new Kraus plumbing fixture!

Please keep the box and packaging materials until your product is completely installed. If you have any questions, require technical assistance or have any problems with your product:



DO NOT RETURN TO STORE

**Please contact our Customer Service Team
1-800-775-0703 / customerservice@kraususa.com**

Have the model number available and retain a copy of your receipt with purchase date for reference.

If for any reason this product does not meet your expectations, please be sure to repack this product in the original box and packaging material to avoid damage during transit.

Prior to Installation:

- Make sure you have all necessary parts by checking the diagram and parts list. If any part is missing or damaged, please contact Kraus Customer Service at 800-775-0703 for a replacement.

For technical assistance or replacement parts, please contact Kraus Customer Service and one of our representatives will be happy to help:
Toll-Free: 800-775-0703 or Customerservice@kraususa.com

The step-by-step guidelines in the installation instructions are a general reference for installing a Kraus Sink. Should there be any discrepancies, Kraus cannot be held liable. It is recommended to install all Kraus products by hiring a licensed professional.

Tools you will need:



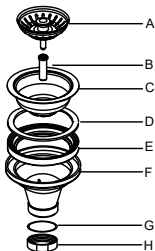
Safety Goggles



Phillips Screwdriver

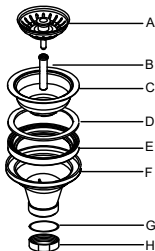
Diagram and Parts List

ST-1



- A. Strainer Cover
- B. Screw
- C. Metal Strainer
- D. Foam Gasket
- E. Rubber Gasket
- F. Main Body
- G. Drain Gasket
- H. Drain Nut

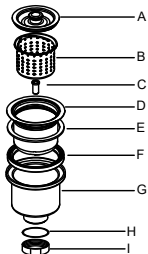
ST-2



- A. Strainer Cover
- B. Screw
- C. Metal Strainer
- D. Foam Gasket
- E. Rubber Gasket
- F. Main Body
- G. Drain Gasket
- H. Drain Nut

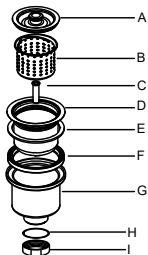
Diagram and Parts List

BST-1



- A. Strainer Cover
- B. Basket
- C. Screw
- D. Metal Strainer
- E. Foam Gasket
- F. Rubber Gasket
- G. Main Body
- H. Drain Gasket
- I. Drain Nut

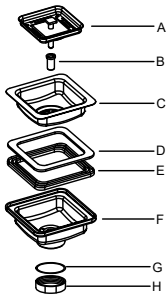
BST-2



- A. Strainer Cover
- B. Basket
- C. Screw
- D. Metal Strainer
- E. Foam Gasket
- F. Rubber Gasket
- G. Main Body
- H. Drain Gasket
- I. Drain Nut

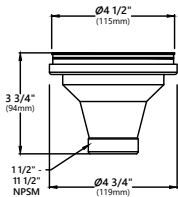
Diagram and Parts List

ST-3

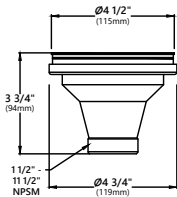


- A. Strainer Cover
- B. Screw
- C. Metal Strainer
- D. Foam Gasket
- E. Rubber Gasket
- F. Main Body
- G. Drain Gasket
- H. Drain Nut

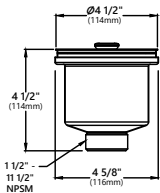
Dimensions



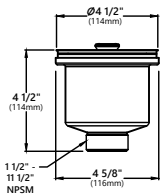
Model #: ST-1
Dimensions: $\varnothing 4 \frac{1}{2}'' \times 3 \frac{3}{4}''$



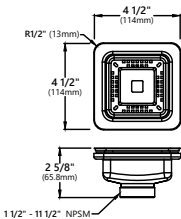
Model #: ST-2
Dimensions: $\varnothing 4 \frac{1}{2}'' \times 3 \frac{3}{4}''$



Model #: BST-1
Dimensions: $\varnothing 4 \frac{1}{2}'' \times 4 \frac{1}{2}''$



Model #: BST-2
Dimensions: $\varnothing 4 \frac{1}{2}'' \times 4 \frac{1}{2}''$



Model #: ST-3
Dimensions: $4 \frac{1}{2}'' \times 4 \frac{1}{2}'' \times 2 \frac{5}{8}''$

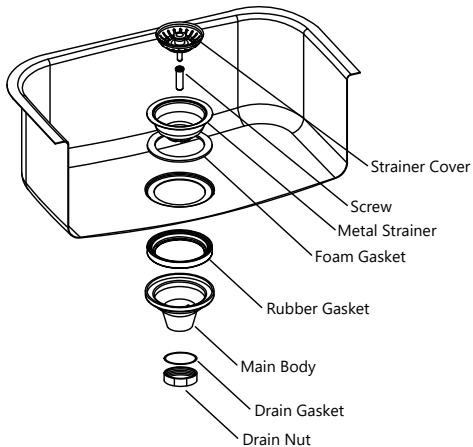
Step 1.

Disassemble strainer

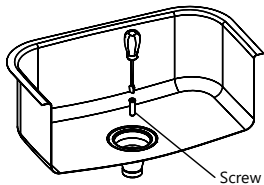


Step 2.

Insert metal strainer into drain hole with foam gasket attached. Install rubber gasket and main body underneath the sink

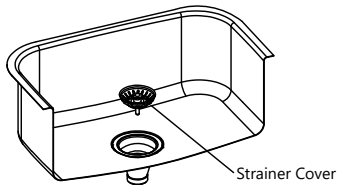


Step 3.



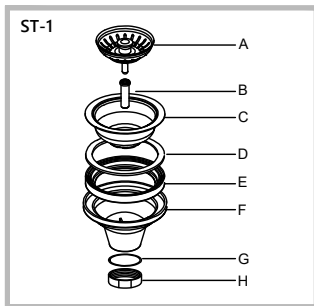
Using the screw, tighten the metal strainer and main body into place

Step 4.



Insert strainer cover to seal water

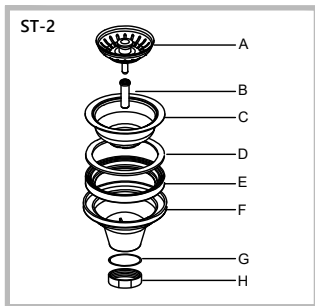
Replacement Parts



Replacement Parts List	Finish	Part #
A. Strainer Cover	SS*	KPU00010
A. Strainer Cover	PGM*	KPU00010-PGM
B. Screw 1 1/4"	SS*	KPU00003
B. Screw 1 1/4"	PGM*	KPU00003-PGM
C. Metal Strainer	SS*	KPU00011
C. Metal Strainer	PGM*	KPU00011-PGM
D. Foam Gasket		KPU00005
E. Rubber Gasket		KPU00006
F. Main Body		KPU00012
G. Drain Gasket		KPU00008
H. Drain Nut		KPU00009

*Denotes faucet component color options:
 SS - Stainless Steel
 PGM - PVD Gunmetal

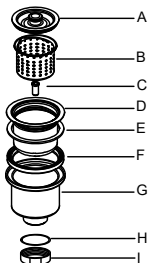
Replacement Parts



Replacement Parts List	Finish	Part #
A. Strainer Cover		KPU00010
B. Screw 1 5/8"		KPU00013
C. Metal Strainer		KPU00011
D. Foam Gasket		KPU00005
E. Rubber Gasket		KPU00006
F. Main Body		KPU00012
G. Drain Gasket		KPU00008
H. Drain Nut		KPU00009

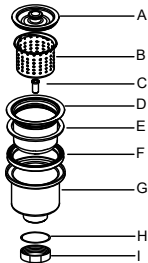
Replacement Parts

BST-1



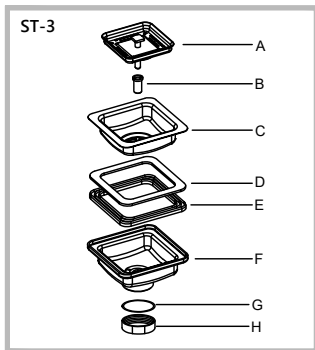
Replacement Parts List	Finish	Part #
A. Strainer Cover		KPU00001
B. Basket		KPU00002
C. Screw 1 1/4"		KPU00003
D. Metal Strainer		KPU00004
E. Foam Gasket		KPU00005
F. Rubber Gasket		KPU00006
G. Main Body		KPU00007
H. Drain Gasket		KPU00008
I. Drain Nut		KPU00009

BST-2



Replacement Parts List	Finish	Part #
A. Strainer Cover		KPU00001
B. Basket		KPU00002
C. Screw 1 5/8"		KPU00013
D. Metal Strainer		KPU00004
E. Foam Gasket		KPU00005
F. Rubber Gasket		KPU00006
G. Main Body		KPU00007
H. Drain Gasket		KPU00008
I. Drain Nut		KPU00009

Replacement Parts



Replacement Parts List	Finish	Part #
A. Strainer Cover		KP22191
B. Screw		KP22198
C. Metal Strainer		KP22192
D. Foam Gasket		KP22193
E. Rubber Gasket		KP22194
F. Main Body		KP22195
G. Drain Gasket		KP22196
H. Drain Nut		KP22197

Accessories Warranty

Kraus products are manufactured and tested to the highest quality standards by Kraus USA Inc. ("Kraus").

Kraus extends this warranty to the original purchaser for personal household use of the "Accessories" in their original location. The warranty is non-transferable.

Kraus warrants the structure and finish of the product (Accessories) to be free from defects in material and workmanship under normal usage for a period of one (1) years. The warranty commences from the initial date of purchase by the owner or trade professional, from an authorized Kraus dealer, through the one (1) year term of the original owner or end-user.

Any product reported to the authorized dealer or to Kraus as being defective within the warranty period will be repaired or replaced with a product of equal value at the option of Kraus. This warranty extends to the original owner or end-user, and is not transferable to a subsequent owner.

Restrictions

This warranty does not cover antediluvian, discontinued, or display products, whether such items are purchased at discount outlets, unauthorized dealers, and/or sold on clearance.

This warranty does not cover instances of negligence, misuse, abuse, improper installation, carelessness, accident, hard water or mineral deposits, exposure to corrosive materials, misapplication, damages caused by improper maintenance, alteration of the product, or failure to follow care or installation instructions enclosed with your product. Avoid using abrasive cleaners such as powders, bleach, ammonia, alcohol, or chlorine. Avoid using abrasive pads, steel wool, or wire brushes, as these will damage and wear down the finish.

Kraus USA recommends that all Kraus products are installed by fully licensed and insured trade professionals with experience in the installation of bathroom and/or kitchen manufactured goods.

This warranty does not cover labor charges or costs of removal and reinstallation of said product. This warranty does not allow recovery of incidental or consequential damages such as loss of use, delay, property damage, or other consequential damages, and Kraus accepts no liability for such damages.

This warranty does not cover Marine or Outdoor Installation.

Except as otherwise provided above, Kraus makes no warranties, expressed or implied, including warranties of merchantability and fitness for a particular purpose, or compliance with any code.

Shipping charges will be covered for the first (1) year of the warranted replacement part or product (HI, AK, and Puerto Rico shipping charges may apply). International shipping fees are not included.

Commercial Warranty

Kraus extends the above warranty for a period of one (1) year to purchasers of products for industrial, commercial, and business use.

All incidental or consequential damages are specifically excluded. No additional warranties, express or implied, are given, including but not limited to any implied warranty of merchantability or fitness for a particular purpose.

Some states do not allow the exclusion or limitation of incidental or consequential damages, or limitations on how long an implied warranty lasts, so the above limitations or exclusions may not apply to you.

This warranty gives you specific legal rights, and you may also have other rights which vary from state to state.

KRAUS USA has the right to change, modify, and/or update the warranty policy at any time. For the latest, most up to date comprehensive warranty, go to www.kraususa.com/warranty.

If you are a **HOMEOWNER**, please contact a Kraus Customer Service Representative at:

Kraus USA, Inc.
12 Harbor Park Drive
Port Washington, NY 11050
Toll-Free : 800-775-0703
Customerservice@kraususa.com

If you are a **PLUMBING CONTRACTOR OR TRADE PROFESSIONAL**, please contact a Kraus Pro Representative at:

Kraus USA, Inc.
12 Harbor Park Drive
Port Washington, NY 11050
516-801-8955
Proservice@kraususa.com

If you are an **AUTHORIZED PARTNER**, please contact a Partner Support Representative at:

Kraus USA, Inc.
12 Harbor Park Drive
Port Washington, NY 11050
516-801-8954
Partnersupport@kraususa.com

In requesting warranty service, please be ready to provide:

1. Proof of purchase
2. A description of the problem

Download the Kraus Care & Maintenance Guide at:
<http://www.kraususa.com/maintenance>

IMPORTANT

Register Your Kraus Product

Activate Your Warranty

Access Premium Customer Support

Get Product Information

REGISTER TODAY

<http://www.kraususa.com/registration>



Kräus
www.kraususa.com



INSTALLATION MANUAL /
MANUEL D'INSTALLATION

**Bolden™ Single Handle Pull Down
Kitchen Faucet / Robinet de
cuisine à poignée simple avec
douchette rétractable Bolden™**

KPF-1610

**Congratulations on the purchase of your new Kraus plumbing fixture! /
Félicitations pour l'achat de votre nouvel accessoire de plomberie Kraus!**

Please keep the box and packaging materials until your product is completely installed. If you have any questions, require technical assistance or have any problems with your product / Veuillez conserver la boîte et le matériau d'emballage jusqu'à ce que votre produit soit complètement installé. Si vous avez des questions, si vous avez besoin de soutien technique ou si vous avez des problèmes avec votre produit :



**DO NOT RETURN TO STORE
NE RETOURNEZ PAS AU MAGASIN**

**Please contact our Customer Service Team
1-800-775-0703 / customerservice@kraususa.com**

Have the model number available and retain a copy of your receipt with purchase date for reference.

If for any reason this product does not meet your expectations, please be sure to repack this product in the original box and packaging material to avoid damage during transit.

**Veillez communiquer avec notre équipe du service à la clientèle au
1 800 775-0703, à l'adresse customerservice@kraususa.com**

Ayez le numéro de modèle à portée de main et conservez une copie de votre reçu indiquant la date d'achat aux fins de référence.

Si, pour quelque raison que ce soit, ce produit ne répond pas à vos attentes, veuillez le réemballer dans sa boîte et son matériau d'emballage d'origine afin d'éviter tout dommage pendant le transport.

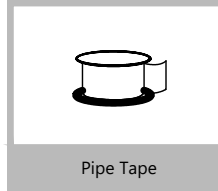
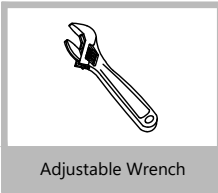
Prior to Installation:

- Make sure you have all necessary parts by checking the diagram and parts list. If any part is missing or damaged, please contact Kraus Customer Service at 800-775-0703 for a replacement.
- Turn off the hot and cold water supply at the angle stops and turn on the old faucet to release any built up pressure. Remove existing faucet. Clean sink or countertop to remove any debris, plumber's putty, or silicone.
- Flush angle stops to release any debris prior to installation.
- Pre-drilled hole size requirement: 1 3/8" (min)
- Max countertop thickness: 1 3/4"

Avant l'installation :

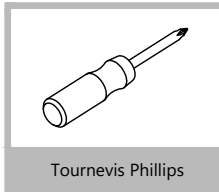
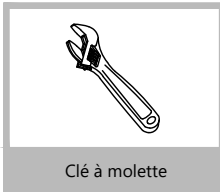
- Il convient de vérifier que toutes les pièces nécessaires sont présentes en consultant le schéma et la liste des pièces. Si une pièce est manquante ou endommagée, prière de communiquer avec le service à la clientèle de Kraus au 1 800 775-0703 pour obtenir une pièce de remplacement.
- Fermer l'approvisionnement en eau chaude et froide aux arrêts d'équerre et ouvrir l'ancien robinet pour libérer la pression accumulée. Retirer le robinet existant. Nettoyer l'évier ou le comptoir pour enlever les débris, le mastic de plombier ou le silicone.
- Chasser les arrêts d'équerre pour libérer tout débris avant l'installation.
- Exigence de taille du trou prépercé : 1 3/8" (min)
- Épaisseur maximale du comptoir : 1 3/4"

Tools Required



For technical assistance or replacement parts, please contact Kraus Customer Service and one of our representatives will be happy to help:
Toll-Free: 800-775-0703 or Customerservice@kraususa.com

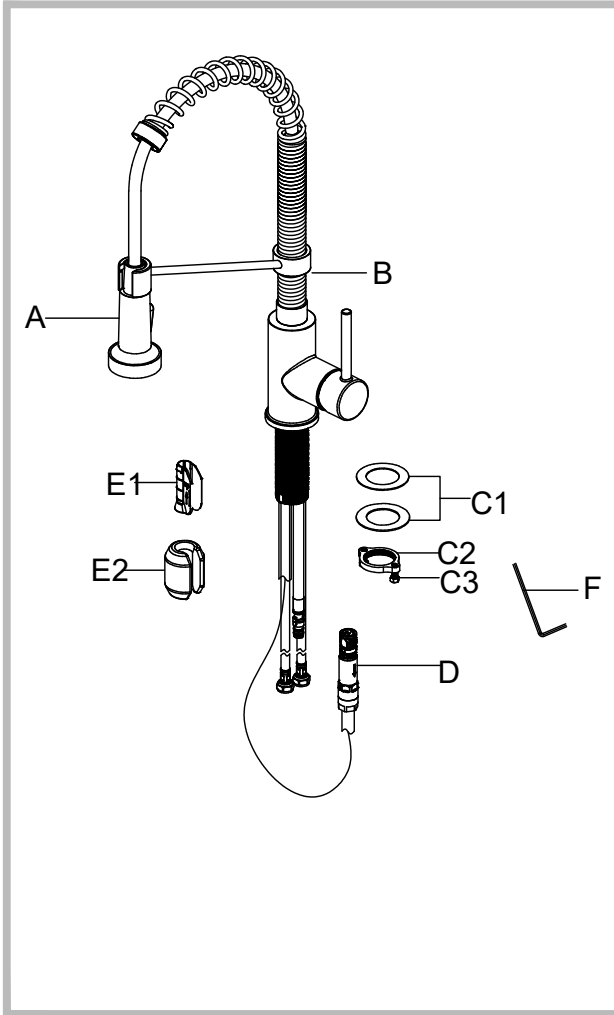
Outils nécessaires



Pour obtenir un soutien technique ou des pièces de rechange, veuillez communiquer avec le service à la clientèle de Kraus et l'un de nos représentants se fera un plaisir de vous aider :

Numéro sans frais : 1 800 775-0703 ou Customerservice@kraususa.com

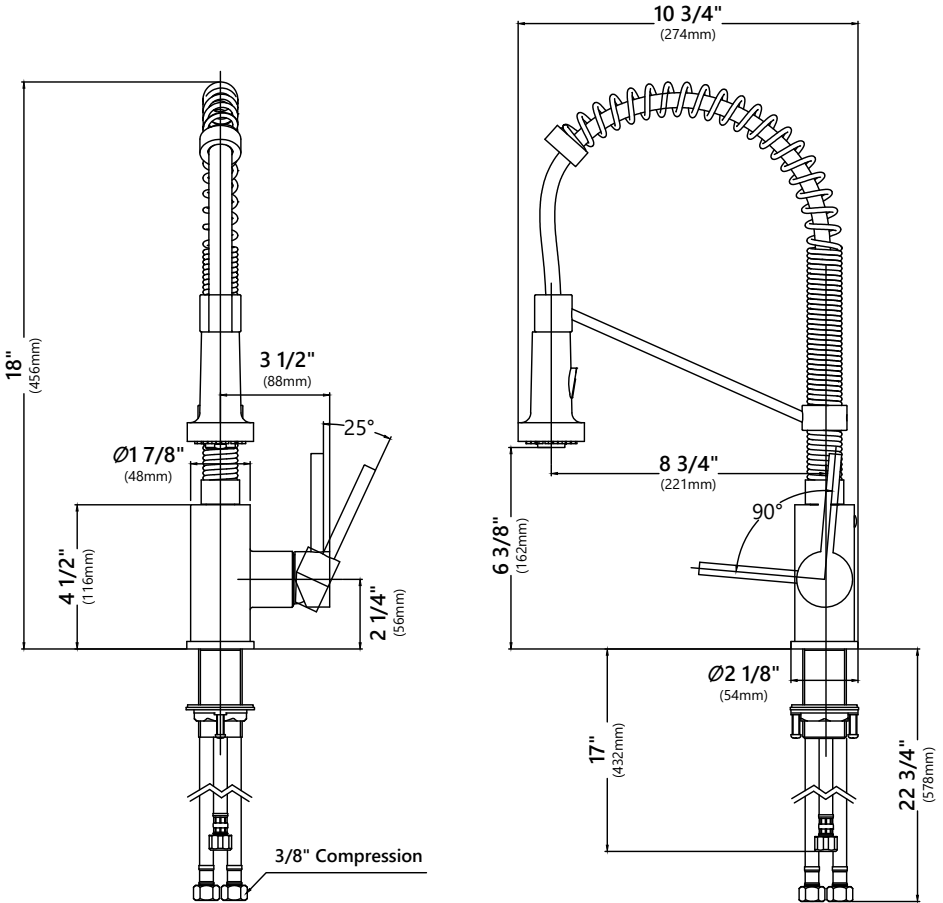
Diagram and Parts List / Schéma et liste des pièces



- A. Spray Head
- B. Faucet Body
- C. Mounting Hardware
 - C1. Rubber & Metal Washer
 - C2. Mounting Nut
 - C3. Mounting Screws
- D. Quick Connector
- E. Weight
 - E1. Weight Clip
 - E2. Weight
- F. 2.5mm Hex Wrench

- A. Tête de pulvérisation
- B. Corps de robinet
- C. Ferrure de fixation
 - C1. Rondelle de caoutchouc et rondelle métallique
 - C2. Écrou de montage
 - C3. Vis de montage
- D. Raccord rapide
- E. Poids
 - E1. Attache du poids
 - E2. Poids
- F. Clé hexagonale de 2.5 mm

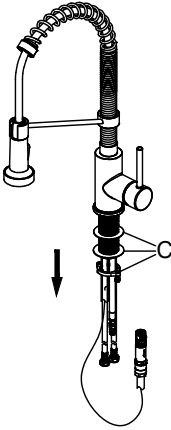
Faucet Dimension / Dimension du robinet



Installer Tip / Conseil à l'intention de l'installateur :

Shut off main water supply before installing new faucet.
 / Couper l'approvisionnement en eau principale avant d'installer le nouveau robinet.

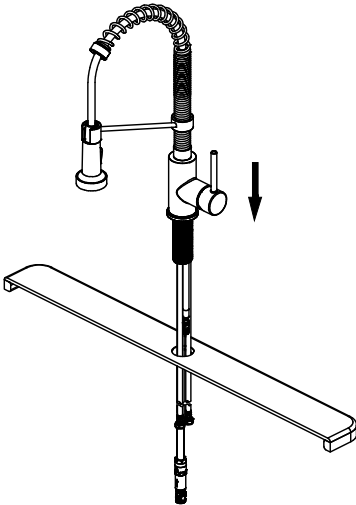
Step 1. Remove mounting hardware / Étape 1. Enlever la ferrure de fixation



Shut off the water supply. Remove the old faucet. Clean the mounting surface. Remove mounting hardware (C) from faucet body (B).

Couper l'alimentation en eau. Retirer le vieux robinet. Nettoyer la surface de montage. Retirer la ferrure de fixation (C) du corps du robinet (B).

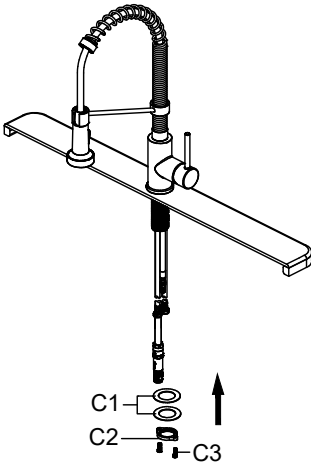
Step 2. Installing the faucet assembly / Étape 2. Installation de l'ensemble du robinet



Optional No Escutcheon Installation.
Insert faucet body through the hole in the sink.

Installation sans écusson facultative.
Insérer le corps du robinet dans le trou de l'évier.

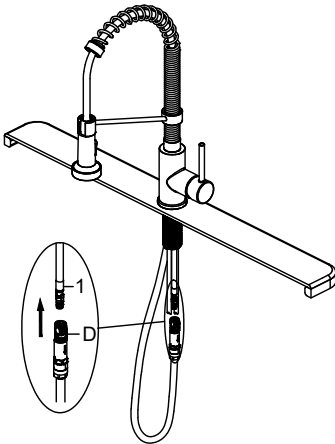
Step 3. Securing the faucet assembly / Étape 3. Fixer l'ensemble du robinet



Install the rubber washer and metal washer (C1) onto the threaded mounting shank.
Thread the nut (C2) onto the mounting shank. Lock the nut (C2) into position by tightening the screws (C3). Do not overtighten.

Installer la rondelle en caoutchouc et la rondelle métallique (C1) sur la tige de montage filetée.
Visser l'écrou (C2) sur la tige de montage. Bloquer l'écrou (C2) en position en serrant les vis (C3). Ne pas trop serrer.

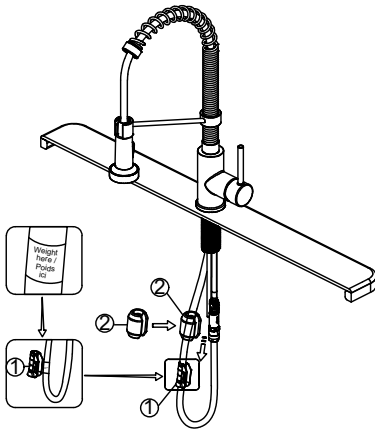
Step 4. Securing the faucet assembly / Étape 4. Fixer l'ensemble du robinet



Push the quick connector (D) firmly upward and attach it to the receiving block (1). Pull down moderately to ensure the connection has been made.

Pousser le raccord rapide (D) fermement vers le haut et le fixer au bloc de réception (1). Tirer modérément vers le bas pour assurer que la connexion a bien été établie.

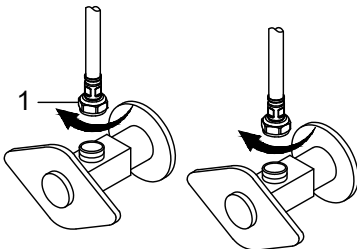
Step 5. Securing the faucet assembly / Étape 5. Fixer l'ensemble du robinet



Install the weight clip (E1) at the point of the hose marking "weight here". Insert the weight (E2) onto the clip (E1) by sliding it down onto the clip (E1).

Installer l'attache du poids (E1) à l'endroit du tuyau où se trouve l'inscription « poids ici ». Insérer le poids (E2) dans l'attache (E1) en le faisant glisser vers le bas dans l'attache (E1).

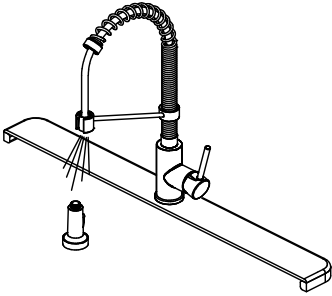
Step 6. Making the waterline connections / Étape 6. Établir les raccords à la canalisation d'eau



Thread the nut (1) on the supply line onto the outlet of the water supply valve and tighten with a wrench. Do not overtighten.

Visser l'écrou (1) de la conduite d'alimentation sur la sortie de la vanne d'alimentation en eau et serrer avec une clé. Ne pas trop serrer.

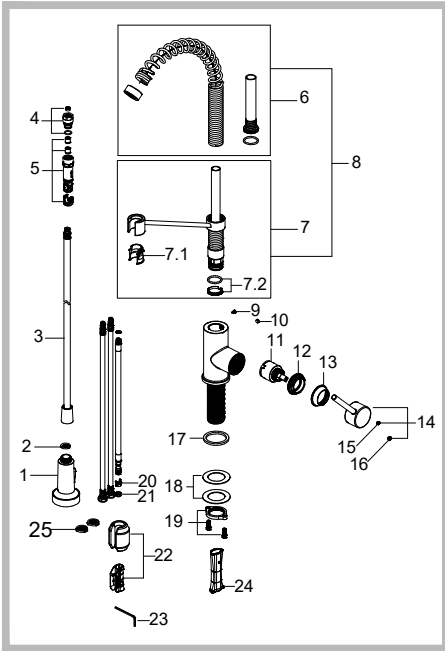
Step 7. Flushing and checking for leaks / Étape 7. Vidange et vérification des fuites



Pull the hose assembly out of the spout and remove the spray head by unscrewing it from the hose in a counterclockwise direction. Be sure to hold the end of the hose down into the sink and turn the faucet on to the warm position where it mixes hot and cold water. Flush the water lines for one minute. This flushes away any debris that could cause damage to internal parts. Check for leaks. Re-tighten any connections if necessary, but do not overtighten. Reinstall the spray head by hand tightening it back onto the spray hose. After installation is completed, turn on the hot and cold water supplies. Check for leaks.

Retirer l'ensemble du tuyau du bec et retirer la tête de pulvérisation en la dévissant du tuyau dans le sens inverse des aiguilles d'une montre. Veiller à maintenir l'extrémité du tuyau dans l'évier et à ouvrir le robinet en position tiède où l'eau chaude et l'eau froide se mélangent. Vider les conduites d'eau pendant une minute. Cela permet d'évacuer les débris qui pourraient endommager les parties internes. Vérifier s'il y a des fuites. Resserrer les raccords si nécessaire, sans trop serrer. Réinstaller la tête de pulvérisation en la serrant à la main sur le tuyau de pulvérisation. Une fois l'installation terminée, ouvrir l'approvisionnement en eau chaude et froide. Vérifier s'il y a des fuites.

Replacement Parts

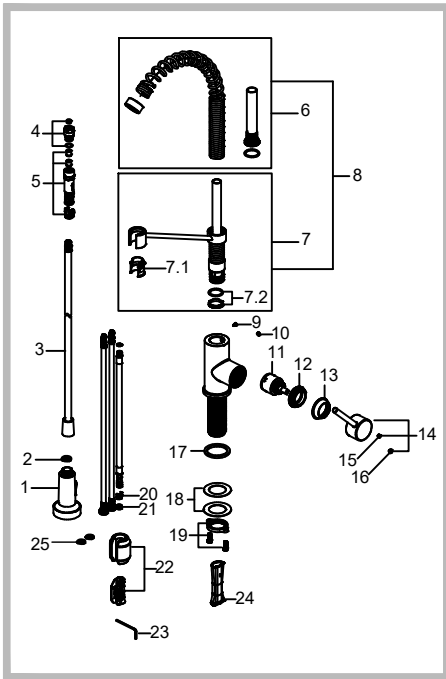


*Denotes spray hose assembly color options:
 Spray hose assembly color options: Black hose w/ Brushed Gold connector (BLBG), Black hose with Spot-Free Stainless connector (BLSFS), Gray hose with Chrome connector (GRCH), Gray hose with Spot-Free Stainless connector (GRSFS), Gray hose with Stainless Steel connector (GRSS), Black hose with Matte Black connector (BLMB), Black hose with Stainless Steel connector (BLSS), Black hose with Spot-Free Antique Champagne Bronze (BLSFACB)

**Denotes faucet component color options:
 CH - Chrome
 SFS - Spot Free Stainless Steel
 SS - Stainless Steel
 MB - Matte Black
 BG - Brushed Gold
 SB - Black Stainless
 MBSFSB - Matte Black/Spot Free Stainless Steel
 SFACB - Spot Free Antique Champagne Bronze
 SFACBMB - Spot Free Antique Champagne Bronze/Matte Black
 MBSB - Matte Black/Black Stainless
 SFSCH - Spot Free Stainless Steel/Chrome
 BGMB - Brushed Gold/Matte Black
 SFSB - Spot Free Black Stainless
 SFSMB - Spot Free Stainless Steel/Matte Black
 SSMB - Stainless Steel/Matte Black
 SSCH - Stainless Steel/Chrome
 BL - Black
 WH - White
 GR - Grey

Replacement Parts List	Finish/Color	Part #
1. Sprayer	CH,SFS,SS,SB,MB,SFSB,BG,SFACB,SFACBMB,BGMB**	KP27087
2. Screen Washer		KP27088
3. Sprayer Hose	BLBG,BLMB,BLSFS,BLSS,GRCH BLSFACB,GRSFS,GRSS**	KP27089
4. Flow Regulator Assembly (1.8GPM)	WH**	KP27074
5. Quick Connector Assembly		KP27090
6. Spring Assembly	CH,MB,SB,SFACB,SFS,BG,SFSB**	KP27220
7. Sprayer Holder Assembly	CH,SFS,SS,SB,SFSMB,BG,SFACB,MB,SFACBMB,BGMB,SFSB,MBSB,SFSCH,SSCH,SSMB,MBSFSB**	KP27231
7.1. Inverter		KP27122
7.2. Wearable Ring & O-ring Assembly		KP27085
8. Sprayer Support Assembly	CH,SFS,SS,SB,SFSMB,BG,SFACB,MB,SFACBMB,BGMB,SFSB,SSMB,SFSCH,SSCH,MBSB,MBSFSB**	KP27232
9. Set Screw		KP27084
10. Index	BL,GR**	KP27124
11. Cartridge Kerox K-35		KP27083
12. Bonnet Nut		KP27082
13. Cap	CH, SFS, SS, SB, MB, BG, SFACB, SFSB**	KP27081
14. Handle Assembly	CH, SFS, SS, SB, MB, BG, SFACB, SFSB**	KP27072
15. Set Screw		KP27001
16. Cover Button	BL,GR**	KP27002
17. Washer		KP27091
18. Rubber & Metal Washer		KP27028
19. Mounting Nut & Screws		KP27079
20. Block		KP27073
21. O-ring		KP27092
22. Weight & Clip Assembly		KP27093
23. Hex Wrench		KP27020
24. Inverter		KP27123
25. Filter Washers		KP27167

Pièces de rechange



*Désigne les options de couleur du tuyau de pulvérisation :
Options de couleur du tuyau de pulvérisation : Tuyau noir avec raccord en or brossé (BLBG), Tuyau noir avec raccord en acier inoxydable résistant aux taches (BLSFS), Tuyau gris avec raccord chromé (GRCH), Tuyau gris avec raccord en acier inoxydable résistant aux taches (GRSFS), Tuyau gris avec acier inoxydable connecteur (GRSS), Tuyau noir avec connecteur noir mat (BLMB), Tuyau noir avec connecteur en acier inoxydable (BLSS), Manguera negra con bronce champán antiguo sin manchas (BLSFACB)

** Désigne les options de couleur des composants du robinet:

CH - Chrome
SFS - Acier inoxydable résistant aux taches
SS - Acier inoxydable
MB - Noir mat
BG - Or brossé
SB - Acier inoxydable noir
SFACB - Bronze champagne antique résistant aux taches
SFACBMB - Bronze champagne antique résistant aux taches/Noir mat
BGMB - Or brossé/Noir mat
MBSB - Noir mat/Acier inoxydable noir
MBSFSB - Noir mat/Acier inoxydable noir sans tache
SFSCB - Acier inoxydable résistant aux taches/Chrome
SFSB - Acier inoxydable noir résistant aux taches
SFSMB - Acier inoxydable résistant aux taches/Noir mat
SSMB - Acier inoxydable/Noir mat
SSCH - Acier inoxydable/Chrome
BL - Noir
WH - Blanc
GR - Gris

Remplacement Liste des pièces	Fini/Couleur	No de pièce
1. Pulvérisateur	CH,SFS,SS,SB,MB,SFSB,BG, SFACB,SFACBMB,BGMB**	KP27087
2. Rondelle de l'aérateur		KP27088
3. Tuyau de pulvérisation	BLBG,BLMB,BLSFS,BLSS,GRCH BLSFACB,GRSFS,GRSS**	KP27089
4. Régulateur de débit Ensemble (1,8 gallon par minute)	WH**	KP27074
5. Raccord rapide Ensemble		KP27090
6. Assemblée de ressort	CH, MB, SB, SFACB, SFS, BG, SFSB**	KP27220
7. Assemblage du support de pulvérisateur	CH,SFS,SS,SB,SFSMB,BG,MB, SFACB,SFACBMB,BGMB,SFSB, MBSB,SFSCH,SSCH,SSMB, MBSFSB**	KP27231
7.1. Convertisseur		KP27122
7.2. Rondelle dégradable Assemblage du joint torique		KP27085
8. Ensemble de support de pulvérisateur	CH,SFS,SS,SB,SFSMB,BG,MB, SFACB,SFACBMB,BGMB, SFSB,SSMB,SFSCH,SSCH, MBSB,MBSFSB**	KP27232
9. Vis de pression		KP27084
10. Indication	BL,GR**	KP27124
11. Cartouche Kerox K-35		KP27083
12. Écrou de chapeau		KP27082
13. Capuchon	CH, SFS, SS, SB, MB, BG, SFACB, SFSB**	KP27081
14. Ensemble de la poignée	CH, SFS, SS, SB, MB, BG, SFACB, SFSB**	KP27072
15. Vis de pression		KP27001
16. Bouton du couvercle	BL,GR**	KP27002
17. Rondelle		KP27091
18. Caoutchouc et métallique rondelle		KP27028
19. Écrou de montage et vis		KP27079
20. Bloc		KP27073
21. Joint torique		KP27092
22. Poids et attache Ensemble		KP27093
23. Clé hexagonale		KP27020
24. Convertisseur		KP27123
25. Rondelles de filtre		KP27167

Troubleshooting

If you have followed the instructions carefully and your faucet still does not work properly, take the following corrective steps:

PROBLEM	CAUSE	ACTION
Leakage under faucet handle	Bonnet nut (11) has come loose	Remove the cover button (15). Loosen set screw (14) with hex wrench (22). Remove the handle. Unscrew cap (12). Tighten bonnet nut (11) with an adjustable wrench.
The aerator has an irregular or reduced water flow	The aerator is dirty or mis-fitted	Remove the aerator and check for debris. Ensure that the rubber washer is properly installed.
The water pressure is low.	The connector underneath the deck is clogged with debris The aerator is clogged	Turn off the water supply and disconnect the connector / aerator. Unscrew the connector / aerator and clean under running water. Screw the connector / aerator back. Test water flow. If water pressure is still low then replace the connector / aerator.
There is a low flow of water.	The screen filter in the hose connectors is dirty.	Turn off the water supply at water valve and unscrew the hose connectors from water supply lines. Clean the screen in the water lines with hot water, removing any debris or calcium build up.

Care & Maintenance

To keep the product clean & shining, follow the steps below:

1. Rinse with clean water & dry with a soft cloth
2. Do not clean with soaps, acid, polish, abrasives or harsh cleaners
3. Do not use cloth with a coarse surface
4. Unscrew the aerator and clean when necessary



This installation manual is subject to change without further notice.

Dépannage

Si vous avez suivi attentivement les directives et que votre robinet ne fonctionne toujours pas correctement, suivez les mesures correctives suivantes :

PROBLÈME	CAUSE	ACTION
Fuite sous la poignée du robinet	L'écrou de chapeau (11) s'est desserré	Retirer le bouton du couvercle (15). Desserrer la vis de pression (14) avec une clé hexagonale de (22). Retirer la poignée. Dévisser le capuchon (12). Serrer l'écrou de chapeau (11) avec une clé à molette.
L'aérateur a un débit irrégulier ou réduit	L'aérateur est sale ou mal ajusté	Retirer l'aérateur et vérifier s'il y a des débris. Veiller à ce que la rondelle en caoutchouc soit correctement installée.
La pression d'eau est faible.	Le connecteur sous le pont est bouché par des débris L'aérateur est bouché	Couper l'alimentation en eau et débrancher le connecteur ou l'aérateur. Dévisser le connecteur ou l'aérateur et le nettoyer sous l'eau courante. Revisser le connecteur / l'aérateur. Testez le débit d'eau. Si la pression d'eau est encore faible, remplacer le connecteur ou l'aérateur.
Le débit d'eau est faible.	Le filtre à tamis dans les raccords de tuyau est sale.	Fermer l'alimentation en eau au niveau du robinet d'adduction d'eau et dévisser les raccords de tuyau des lignes d'adduction d'eau. Nettoyer le tamis des conduites d'eau à l'eau chaude, en éliminant les débris ou les accumulations de calcium.

Entretien

Pour que le produit reste propre et brillant, suivre les étapes ci-dessous :

1. Rincer à l'eau propre et sécher avec un chiffon doux
2. Éviter de le nettoyer avec du savon, des acides, des produits de polissage, des abrasifs ou des nettoyants forts.
3. Ne pas utiliser de tissu rugueux.
4. Dévisser l'aérateur et le nettoyer si nécessaire.



Ce manuel d'installation peut être modifié sans préavis.

Codes/Standards Applicable:



ASME A112.18.1
1.8GPM 6.8L/min maximum

FAUCET WARRANTY

Kraus products are manufactured and tested to the highest quality standards by Kraus USA Inc. ("Kraus").

Kraus extends this warranty to the original purchaser for personal household use of the "Faucet" in its original location. The warranty is non-transferable.

Kraus warrants the structure and finish of the product to be free from defects in material and workmanship under normal usage for the lifetime of the product. The warranty commences from the initial date of purchase by the owner or trade professional, from an authorized Kraus dealer, through the lifetime of the original owner or end-user.

Kraus warrants the mechanical components such as but not limited to sprayhead assembly (includes engine, aerators, structure, restrictors, back flow preventers, sprayer hoses, braided supply line hoses which encompasses nylon, silicon and stainless steel, etc) of the product to be free from defects in material and workmanship under normal usage for a period of one (1) year. The warranty commences from the initial date of purchase by the owner or trade professional, from an authorized Kraus dealer, through the one (1) year term of the original owner or end-user.

Kraus warrants the mechanical component (cartridge) of the product to be free from defects in material and workmanship under normal usage for a period of five (5) years. The warranty commences from the initial date of purchase by the owner or trade professional, from an authorized Kraus dealer, through the five (5) year term of the original owner or end-user.

Any product reported to the authorized dealer or to Kraus as being defective within the warranty period will be repaired or replaced with a product of equal value at the option of Kraus. This warranty extends to the original owner or end-user, and is not transferable to a subsequent owner.

RESTRICTIONS

This warranty does not cover antediluvian, discontinued, or display products, whether such items are purchased at discount outlets, unauthorized dealers, and/or sold on clearance.

This warranty does not cover instances of negligence, misuse, abuse, improper installation, carelessness, accident, hard water or mineral deposits, exposure to corrosive materials, misapplication, damages caused by improper maintenance, alteration of the product, or failure to follow care or installation instructions enclosed with your product. Avoid using abrasive cleaners such as powders, bleach, ammonia, alcohol, or chlorine. Avoid using abrasive pads, steel wool, or wire brushes, as these will damage and wear down the finish.

This warranty does not apply to Products that have not been installed or operated in accordance with instructions supplied by Kraus and all applicable rules, regulations, and legislation pertaining to such installations.

This warranty does not apply unless the Kraus product is installed by a fully insured and licensed trade professional. Kraus insists that such professionals have experience in the installation of bathroom and kitchen manufactured goods.

This warranty does not cover labor charges or costs of removal and reinstallation of said product. This warranty does not allow recovery of incidental or consequential damages, such as loss of use, delay, property damage, or other consequential damages, and Kraus accepts no liability for such damages.

This warranty does not cover Marine or Outdoor Installation.

Except as otherwise provided above, Kraus makes no warranties, expressed or implied, including warranties of merchantability and fitness for a particular purpose, or compliance with any code.

Shipping charges will be covered for the first (1) year of the warranted replacement part or product (HI, AK, and Puerto Rico shipping charges may apply). International shipping fees are not included.

COMMERCIAL WARRANTY

Kraus extends the above warranty for a period of one (1) year to purchasers of products for industrial, commercial, and business use.

All incidental or consequential damages are specifically excluded. No additional warranties, express or implied, are given, including but not limited to any implied warranty of merchantability or fitness for a particular purpose.

Some states do not allow the exclusion or limitation of incidental or consequential damages or limitations on how long an implied warranty lasts, so the above limitations or exclusions may not apply to you.

This warranty gives you specific legal rights, and you may also have other rights which vary from state to state.

KRAUS USA has the right to change, modify, and/or update the warranty policy at any time. For the latest, most up to date comprehensive warranty, go to www.kraususa.com/warranty

If you are a homeowner please contact a Kraus Customer Service Representative at:

Kraus USA, Inc.
12 Harbor Park Drive
Port Washington, NY 11050
Toll-free 800-775-0703
Customerservice@kraususa.com

If you are a plumbing contractor or trade professional please contact a Kraus Pro Representative at:

Kraus USA, Inc.
12 Harbor Park Drive
Port Washington, NY 11050
516-801-8955
Proservice@kraususa.com

If you are an Authorized Partner please contact a Partner Support Representative at:

Kraus USA, Inc.
12 Harbor Park Drive
Port Washington, NY 11050
516-801-8954
Partnersupport@kraususa.com

In requesting warranty service, please be ready to provide:

1. Proof of purchase.
2. A description of the problem.

Download the Kraus Care & Maintenance Guide at:
<http://www.kraususa.com/maintenance>

Codes/normes applicables :



ASME A112.18.1
1,8 gallon par minute 6,8 l/min
maximum

GARANTIE DU ROBINET

Les produits Kraus sont fabriqués et testés selon les normes de qualité les plus strictes par Kraus USA Inc. (« Kraus »).

Kraus offre la présente garantie à l'acheteur initial pour un usage domestique personnel du robinet à son emplacement initial. La garantie n'est pas transférable.

Kraus garantit que la structure et le fini du produit sont exempts de tout défaut de matériau et de fabrication dans le cadre d'une utilisation normale pendant toute la durée de vie du produit. La garantie commence à la date d'achat initiale par le propriétaire ou le professionnel, auprès d'un distributeur agréé de Kraus, et se poursuit pendant toute la durée de vie du propriétaire ou de l'utilisateur final.

Kraus garantit que les composants mécaniques, notamment l'ensemble de la tête de pulvérisation (y compris le moteur, les brise-jet aérateurs, la structure, les réducteurs, les clapets antiretour, les tuyaux de pulvérisation, les conduites d'alimentation tressées qui comprennent le nylon, le silicone et l'acier inoxydable, etc.) du produit sont exempts de défauts de matériau et de fabrication dans le cadre d'une utilisation normale pendant une période d'un (1) an. La garantie commence à la date d'achat initiale par le propriétaire ou le professionnel, auprès d'un distributeur agréé de Kraus, et se poursuit pendant la durée d'une (1) année pour le propriétaire ou l'utilisateur final.

Kraus garantit que la composante mécanique (cartouche) du produit est exempte de tout défaut de matériau et de fabrication dans le cadre d'une utilisation normale pendant une période de cinq (5) ans. La garantie commence à la date d'achat initiale par le propriétaire ou le professionnel, auprès d'un distributeur agréé de Kraus, et se poursuit pendant la durée de cinq (5) ans pour le propriétaire ou l'utilisateur final.

Tout produit qui est signalé au distributeur agréé ou à Kraus comme étant défectueux pendant la période de garantie sera réparé ou remplacé par un produit de valeur égale, au choix de Kraus. La présente garantie couvre le propriétaire initial ou l'utilisateur final et n'est pas transférable à un propriétaire ultérieur.

RESTRICTIONS

La présente garantie ne couvre pas les produits antédiluviens ou discontinués ou les produits de démonstration si ces articles sont achetés dans des magasins de vente au rabais ou chez des distributeurs non autorisés ou vendus en liquidation.

Cette garantie ne couvre pas les cas de négligence, de mauvaise utilisation, d'abus, d'installation inadéquate, d'imprudence, d'accident, d'eau dure ou de dépôts de minéraux, d'exposition à des matériaux corrosifs, d'application fautive, de dommages causés par un mauvais entretien, de modification du produit ou de non-respect des directives d'entretien ou d'installation fournies avec votre produit. Éviter d'utiliser des nettoyeurs abrasifs comme les poudres, l'eau de Javel, l'ammoniac, l'alcool ou le chlore. Éviter d'utiliser des tampons abrasifs, de la laine d'acier ou des brosses métalliques, car ils endommageraient et useraient le fini.

La présente garantie ne s'applique pas aux produits qui n'ont pas été installés ou utilisés conformément aux directives fournies par Kraus et à toutes les règles, réglementations et lois applicables à de telles installations.

La présente garantie ne s'applique pas si le produit Kraus n'est pas installé par un professionnel dûment assuré et agréé. Kraus insiste sur le fait que ces professionnels possèdent de l'expérience dans l'installation de produits manufacturés pour la salle de bains et la cuisine.

La présente garantie ne couvre pas les coûts de main-d'œuvre ni les coûts d'enlèvement et de réinstallation dudit produit. La présente garantie ne permet pas la récupération des dommages accessoires ou indirects comme la perte de jouissance, les retards, les dommages matériels ou autres dommages immatériels, et Kraus décline toute responsabilité pour de tels dommages.

La présente garantie ne couvre pas les installations maritimes ou extérieures.

Sauf disposition contraire susmentionnée, Kraus n'offre aucune garantie, formelle ou tacite, y compris les garanties relatives à la qualité marchande et à l'adéquation à un usage particulier, ou à la conformité à un code quelconque.

Les frais d'expédition seront couverts pendant la première (1) année de la pièce ou du produit de remplacement garanti (des frais d'expédition pourraient s'appliquer pour Hawaï, l'Alaska et Porto Rico). Les frais d'expédition internationaux ne sont pas inclus.

GARANTIE COMMERCIALE

Kraus prolonge la garantie ci-dessus pour une période d'un (1) an aux acheteurs de produits à usage industriel, commercial et professionnel.

Tous les dommages accessoires ou indirects sont expressément exclus. Aucune garantie supplémentaire, formelle ou tacite, n'est offerte, notamment toute garantie tacite relative à la qualité marchande ou l'adéquation à un usage particulier.

Certains États n'autorisent pas l'exclusion ou la limitation des dommages accessoires ou indirects ou la limitation de la durée d'une garantie tacite, de sorte que les limitations ou exclusions susmentionnées peuvent ne pas s'appliquer à vous.

La présente garantie vous accorde des droits spécifiques reconnus par la loi, et vous pouvez également avoir d'autres droits qui varient d'un État à l'autre.

KRAUS USA a le droit de changer, de modifier ou de mettre à jour la politique de garantie en tout temps. Pour obtenir la garantie complète la plus récente, consultez le site www.kraususa.com/warranty.

Si vous êtes propriétaire, veuillez communiquer avec un représentant du service à la clientèle de Kraus à l'adresse suivante:

Kraus USA, Inc.
12 Harbor Park Drive
Port Washington NY 11050
Sans frais 1 800 775-0703
Customerservice@kraususa.com

Si vous êtes un entrepreneur en plomberie ou un professionnel, veuillez communiquer avec un représentant professionnel de Kraus à l'adresse suivante :

Kraus USA, Inc.
12 Harbor Park Drive
Port Washington NY 11050
516 801-8955
Proservice@kraususa.com

Si vous êtes un partenaire autorisé, veuillez communiquer avec un représentant du soutien aux partenaires à l'adresse suivante :

Kraus USA, Inc.
12 Harbor Park Drive
Port Washington NY 11050
516 801-8954
Partnersupport@kraususa.com

En demandant un service de garantie, soyez prêt à fournir ce qui suit :

1. Preuve d'achat.
2. Une description du problème.

Téléchargez le guide d'entretien de Kraus à l'adresse :
<http://www.kraususa.com/maintenance>

IMPORTANT

**Register Your Kraus Product /
Enregistrez votre produit Kraus**

**Activate Your Warranty /
Activez votre garantie**

**Access Premium Customer Support /
Accédez au soutien à la clientèle supérieur**

**Get Product Information /
Obtenez des informations sur les produits**

**REGISTER TODAY /
ENREGISTREZ-VOUS
AUJOURD'HUI**

<http://www.kraususa.com/registration>



Kräus[®]
www.kraususa.com

Kräus®

INSTALLATION GUIDE

Kraus Kitchen Soap Dispenser

KSD-51

KSD-52

KSD-53

Congratulations on the purchase of your new Kraus plumbing fixture!

Please keep the box and packaging materials until your product is completely installed. If you have any questions, require technical assistance, or have any problems with your product:



DO NOT RETURN TO STORE

**Please contact our Customer Service Team
1-800-775-0703 / customerservice@kraususa.com**

Have the model number available, and retain a copy of your receipt with purchase date for reference.

If for any reason this product does not meet your expectations, please be sure to repack this product in the original box and packaging material to avoid damage during transit.

PRIOR TO INSTALLATION

- Make sure you have all necessary parts by checking the diagram and parts list. If any part is missing or damaged, please contact Kraus Customer Service at 800-775-0703 for a replacement
- Pre-drilled hole size requirement: 1-1/4"
- Max countertop thickness without deck plate: 2-1/4"

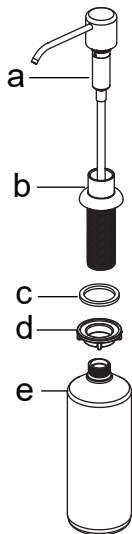
For technical assistance or replacement parts, please contact Kraus

Customer Service and one of our representatives will be happy to help:

Toll-Free: 800.775.0703 or customerservice@kraususa.com

The step-by-step guidelines in the installation instructions are a general reference for installing a Kraus Sink. Should there be any discrepancies, Kraus cannot be held liable. It is recommended to install all Kraus products by hiring a licensed professional.

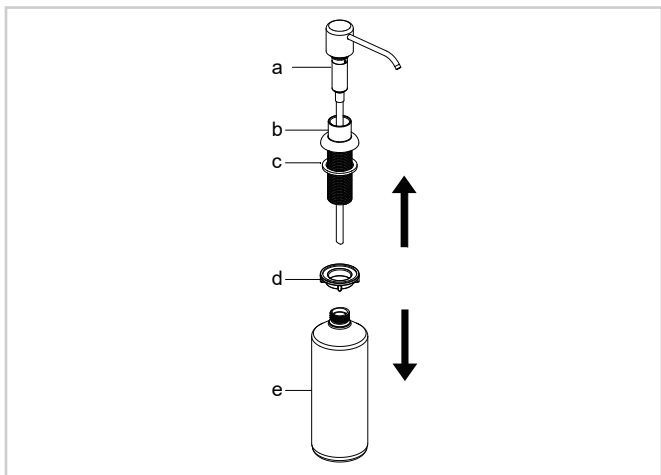
Diagram and Parts List:



- a. *Pump*
- b. *Dispenser Base*
- c. *Washer*
- d. *Mounting Nut*
- e. *Dispenser Bottle*

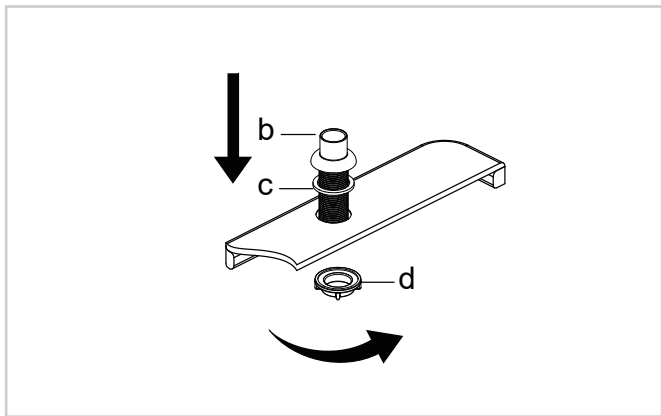
Step 1

Disassemble soap dispenser



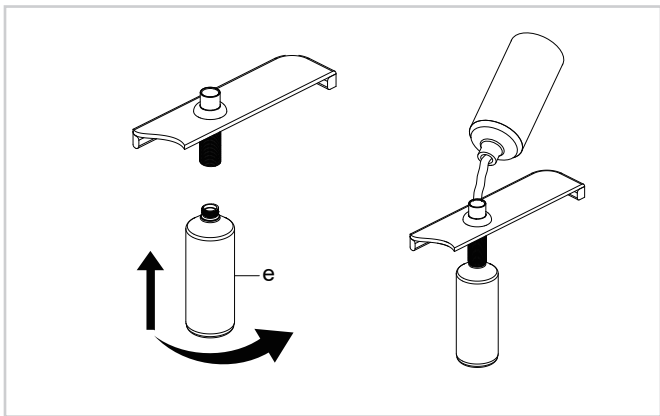
Step 2

Install dispenser base (b) with washer (c) attached into the hole in the countertop.
Re-install mounting nut (d) on the dispenser base (b) from underneath the countertop. Tighten mounting nut (d) by hand



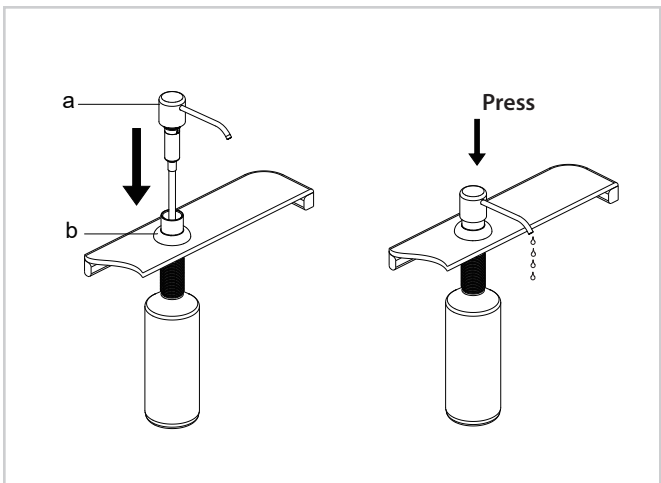
Step 3

Screw the dispenser bottle (e) to the dispenser base (b) from underneath the countertop. Tighten as required. Fill the dispenser bottle (e) from the top with up to 17 ounces of soap

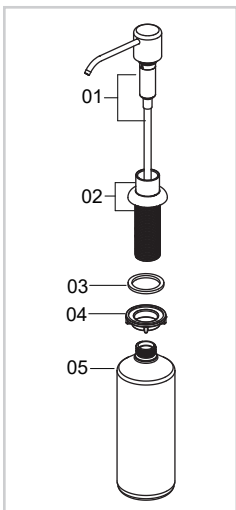


Step 4

Reinsert pump (a) into dispenser base (b) from the top. Press the pump several times to make sure soap is evenly distributed



Replacement Parts



Replacement Parts List	Finish / Color	Part #
1. Pump		KP27131
2. Dispenser Base	CH, SFS, MB, ORB, BG, SFACB, SFSB, BB, SFSMB*	KP27134 (For KSD-53) KP27132 (For KSD-51) KP27133 (For KSD-52)
3. Washer		KP27135
4. Mounting Nut		KP27136
5. Dispenser Bottle		KP27137

*Denotes faucet component color options:

CH - Polished Chrome

SFS - Spot Free Stainless Steel

MB - Matte Black

ORB - Oil Rubbed Bronze

BG - Brushed Gold

SFACB - Spot Free Antique Champagne Bronze

SFSB - Spot Free Black Stainless

BB - Brushed Brass

SFSMB - Spot Free Stainless Steel+Matte Black

Kitchen Accessories Warranty

Kraus products are manufactured and tested to the highest quality standards by Kraus USA Inc. ("Kraus").

Kraus extends this warranty to the original purchaser for personal household use of the "**Kitchen Accessories**" in their original location. The warranty is non-transferable.

Kraus warrants the structure and finish of the product (**Kitchen Accessories**) to be free from defects in material and workmanship under normal usage for a period of one (1) years. The warranty commences from the initial date of purchase by the owner or trade professional, from an authorized Kraus dealer, through the one (1) year term of the original owner or end-user.

Any product reported to the authorized dealer or to Kraus as being defective within the warranty period will be repaired or replaced with a product of equal value at the option of Kraus. This warranty extends to the original owner or end-user, and is not transferable to a subsequent owner.

Restrictions

This warranty does not cover antediluvian, discontinued, or display products, whether such items are purchased at discount outlets, unauthorized dealers, and/or sold on clearance.

This warranty does not cover instances of negligence, misuse, abuse, improper installation, carelessness, accident, hard water or mineral deposits, exposure to corrosive materials, misapplication, damages caused by improper maintenance, alteration of the product, or failure to follow care or installation instructions enclosed with your product. Avoid using abrasive cleaners such as powders, bleach, ammonia, alcohol, or chlorine. Avoid using abrasive pads, steel wool, or wire brushes, as these will damage and wear down the finish.

This warranty does not apply unless the Kraus product is installed by a fully insured and licensed trade professional. Kraus insists that such professionals have experience in the installation of bathroom and kitchen manufactured goods.

This warranty does not cover labor charges or costs of removal and reinstallation of said product. This warranty does not allow recovery of incidental or consequential damages such as loss of use, delay, property damage, or other consequential damages, and Kraus accepts no liability for such damages.

This warranty does not cover Marine or Outdoor Installation.

Except as otherwise provided above, Kraus makes no warranties, expressed or implied, including warranties of merchantability and fitness for a particular purpose, or compliance with any code. Shipping charges will be covered for the first (1) year of the warranted replacement part or product (HI, AK, and Puerto Rico shipping charges may apply). International shipping fees are not included.

Commercial Warranty

Kraus extends the above warranty for a period of one (1) year to purchasers of products for industrial, commercial, and business use.

All incidental or consequential damages are specifically excluded. No additional warranties, express or implied are given, including but not limited to, any implied warranty of merchantability or fitness for a particular purpose.

Some states do not allow the exclusion or limitation of incidental or consequential damages, or limitations on how long an implied warranty lasts, so the above limitations or exclusions may not apply to you.

This warranty gives you specific legal rights, and you may also have other rights which vary from state to state.

If you are a HOMEOWNER please contact a Kraus Customer Service Representative at:

Kraus USA, Inc.
12 Harbor Park Drive
Port Washington, NY 11050
Toll-free 800-775-0703
Customerservice@kraususa.com

If you are a PLUMBING CONTRACTOR OR TRADE PROFESSIONAL please contact a Kraus Pro Representative at:

Kraus USA, Inc.
12 Harbor Park Drive
Port Washington, NY 11050
516-801-8955
Proservice@kraususa.com

If you are an AUTHORIZED PARTNER please contact a Partner Support Representative at:

Kraus USA, Inc.
12 Harbor Park Drive
Port Washington, NY 11050
516-801-8954
Partnersupport@kraususa.com

In requesting warranty service, please be ready to provide:

- 1. Proof of purchase**
- 2. A description of the problem**

IMPORTANT

Register Your Kraus Product

Activate Your Warranty

Access Premium Customer Support

Get Product Information

REGISTER TODAY

<http://www.kraususa.com/registration>



Kräus[®]
www.kraususa.com