

KHT301-25L

25 Inch Dual Mount Single Bowl
Stainless Steel Laundry Utility Sink

Kräus[®]

SPECIFICATION SHEET

Sink Dimensions

Overall Dimensions: 25" x 22"

Bowl Dimensions: 23" x 18"

Sink Depth: 11 3/8"

Features

- 16 Gauge Stainless Steel Construction
- Dual Mount Single Bowl Sink
- Required Minimum Cabinet Size: 27" Left to Right
24" Front to Back
- Rear Center Set Drain
- 3 1/2" Drain Opening
- NoiseDefend Undercoating and Sound Dampening Pads

Accessories Included

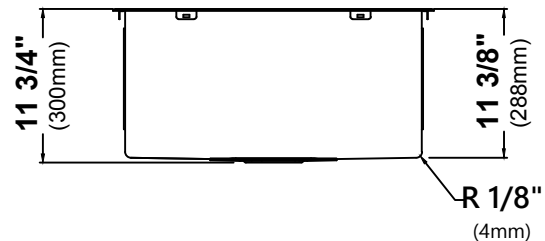
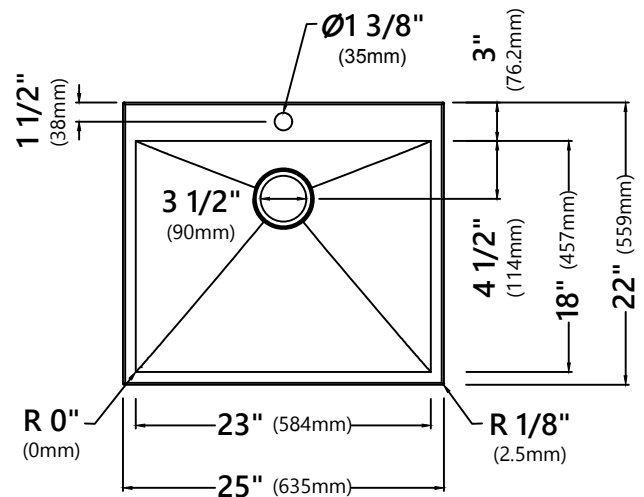
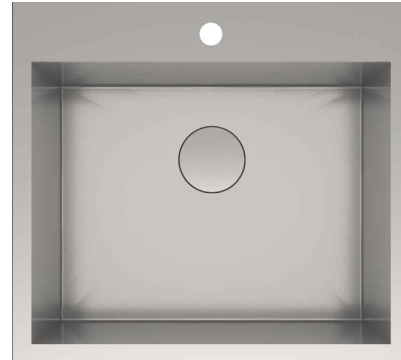
- Strainer ST-1
- Cover Cap STC-2
- Bottom Grid KBG-301-25
- Towel
- Cut-Out Template
- Top Mount Hardware
- Undermount Hardware

CODES/STANDARDS:

Product Certification

cUPC (ASME A112.19.3/CSA B45.4)

NOTE: Maximum countertop thickness for Top Mount installation is 1 1/2".



Warranty

Kraus Limited Lifetime Warranty

see website for details www.kraususa.com

ST-1

Stainless Steel Kitchen Sink Strainer

Strainer Dimensions

Overall Dimensions: ϕ 4 1/2" x 3 3/4"

Features

- Premium Stainless Steel construction
- Fits Standard 3 1/2" or 4" Drain Opening
- Open/Close Stopper Prevents Debris from Clogging Drain Pipe

Available Finishes

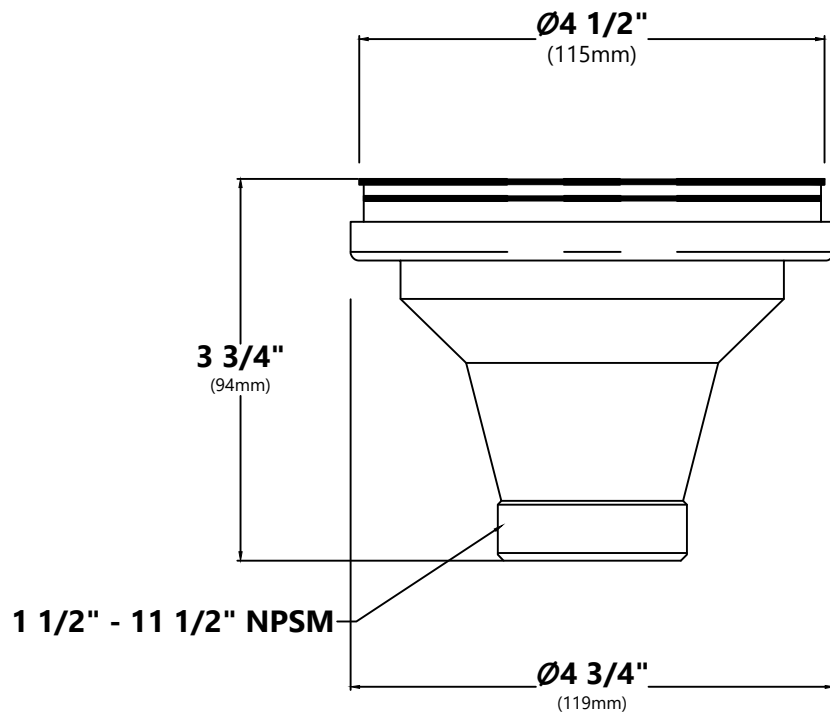
- Stainless Steel



Warranty

Kraus Limited Lifetime Warranty

see website for details www.kraususa.com



STC-2

Removable Decorative Drain Cover

Drain Cap Dimensions

Overall Dimensions: $\varnothing 4\ 1/2"$ x $5/8"$

Features

- Premium Stainless Steel Construction
- Fits Standard $3\ 1/2"$ Drain Opening
- Allows Water to Drain Easily When Installed
- Conceals Garbage Disposal and Waste Fittings for a Seamless Look
- Compatible with Standart Pro™, Pax™, Kore™, Outlast Microshield™ and Premier™ Kitchen sinks

Available Finishes

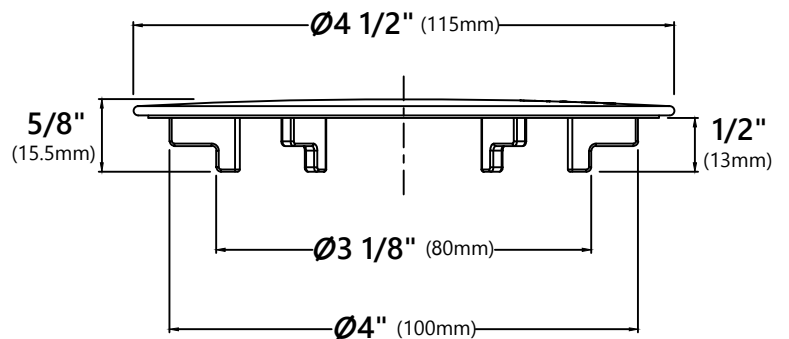
- Stainless Steel
- PVD Gunmetal



Warranty

Kraus Limited Lifetime Warranty

see website for details www.kraususa.com



KBG-301-25

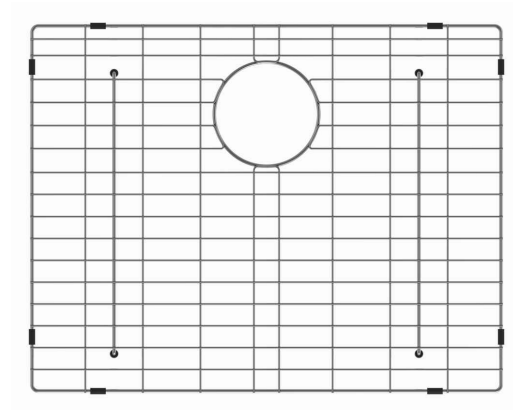
Stainless Steel Kitchen Sink Bottom Grid

Grid Dimensions

Overall Dimensions: 22 5/8" x 17 5/8" x 7/8"

Features

- Commercial grade stainless steel construction
- For Use with the KHT301-25 and KHT301-25L kitchen sinks
- Protects bottom of sink from daily wear and tear
- Rubber feet provide additional protection



Warranty

Kraus One Year Limited Warranty

see website for details www.kraususa.com

