

KHT301-18

18 Inch Top Mount Single Bowl
Stainless Steel Kitchen Sink

Kräus[®]

SPECIFICATION SHEET

Sink Dimensions

Overall Dimensions: 18" x 18"

Bowl Dimensions: 16" x 14"

Sink Depth: 10"

Features

- Stainless Steel 16 Gauge Construction
- Top Mount Installation
- Single Bowl Sink
- Required Minimum Cabinet Size: 21" Left to Right
21" Front to Back
- Rear Center Set Drain
- 3 1/2" Drain Opening
- NoiseDefend Undercoating and Sound Dampening Pads

Accessories Included

- Strainer ST-1
- Cover Cap STC-2
- Bottom Grid KBG-P2318
- Cut-Out Template
- Towel
- Mounting Hardware

CODES/STANDARDS:

Product Certification

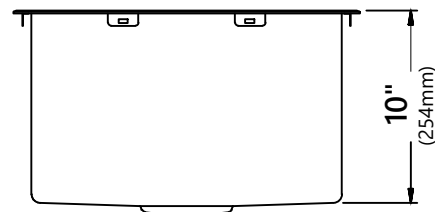
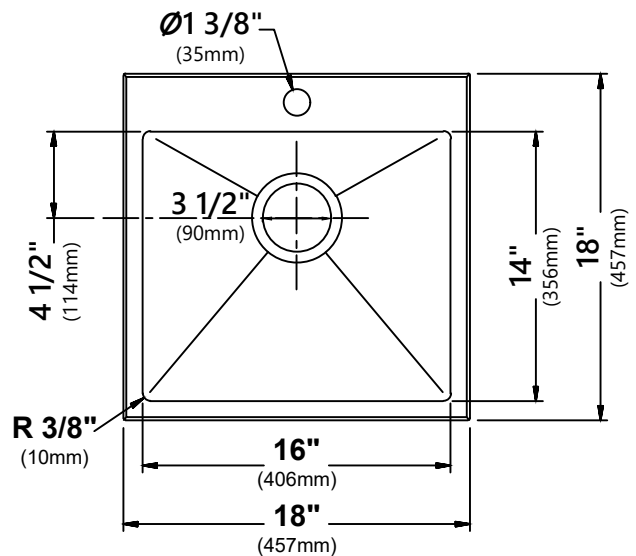
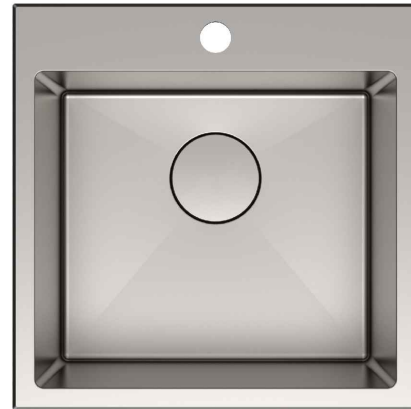
cUPC (ASME A112.19.3/CSA B45.4)

NOTE: Maximum countertop thickness for Top Mount installation is 1 1/2".

Warranty

Kraus Limited Lifetime Warranty

see website for details www.kraususa.com



ST-1

Stainless Steel Kitchen Sink Strainer

Strainer Dimensions

Overall Dimensions: $\phi 4 \frac{1}{2}''$ x $3 \frac{3}{4}''$

Features

- Premium Stainless Steel construction
- Fits Standard $3 \frac{1}{2}''$ or $4''$ Drain Opening
- Open/Close Stopper Prevents Debris from Clogging Drain Pipe

Available Finishes

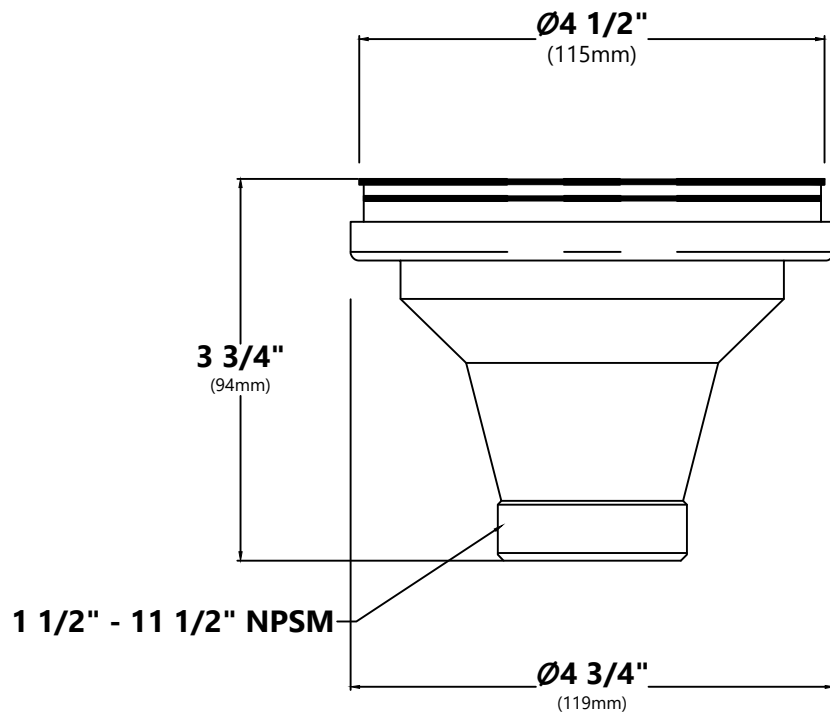
- Stainless Steel



Warranty

Kraus Limited Lifetime Warranty

see website for details www.kraususa.com



KBG-301-18

Stainless Steel Kitchen Sink Bottom Grid

Grid Dimensions

Overall Dimensions: 15 5/8" x 13 5/8" x 7/8"

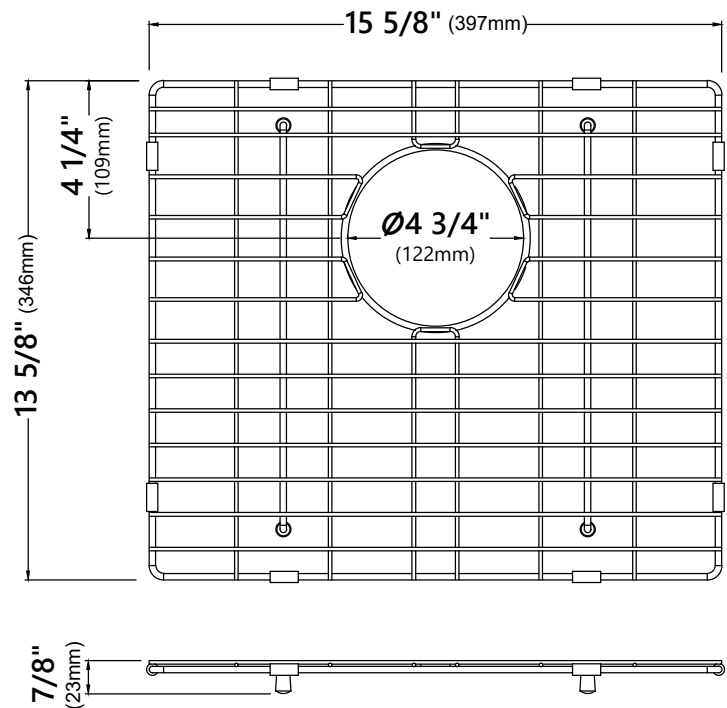
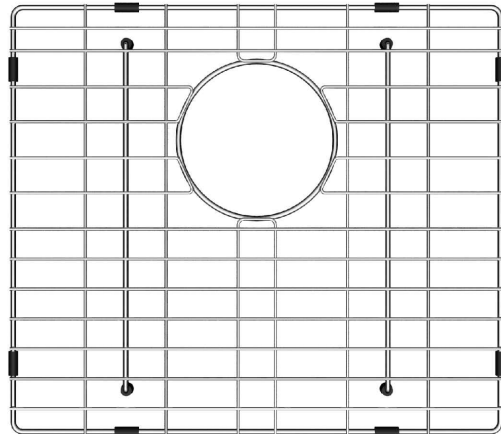
Features

- Commercial grade stainless steel construction
- For Use with the KHT301-18 kitchen sink
- Protects bottom of sink from daily wear and tear
- Rubber feet provide additional protection

Warranty

Kraus One Year Limited Warranty

see website for details www.kraususa.com



STC-2

Removable Decorative Drain Cover

Drain Cap Dimensions

Overall Dimensions: $\varnothing 4 \frac{1}{2}$ " x $\frac{5}{8}$ "

Features

- Premium Stainless Steel Construction
- Fits Standard $3 \frac{1}{2}$ " Drain Opening
- Allows Water to Drain Easily When Installed
- Conceals Garbage Disposal and Waste Fittings for a Seamless Look
- Compatible with Standart Pro™, Pax™, Kore™, Outlast Microshield™ and Premier™ Kitchen sinks

Available Finishes

- Stainless Steel
- PVD Gunmetal



Warranty

Kraus Limited Lifetime Warranty

see website for details www.kraususa.com

