

KHF410-33

33 Inch Single Bowl Stainless
Steel Flat Apron Front Kitchen Sink

Kräus®

SPECIFICATION SHEET

Sink Dimensions

Overall Dimensions: 32 7/8" x 20 3/4"

Bowl Dimensions: 30 7/8" x 17 1/4"

Sink Depth: 10"

Features

- 16 Gauge Stainless Steel Construction
- Apron Front Single Bowl Sink
- Required Minimum Cabinet Size: 36" Left to Right, 24" Front to Back
- Rear Off Set Drain
- 3 1/2" Drain Opening
- NoiseDefend Undercoating and Sound Dampening Pads

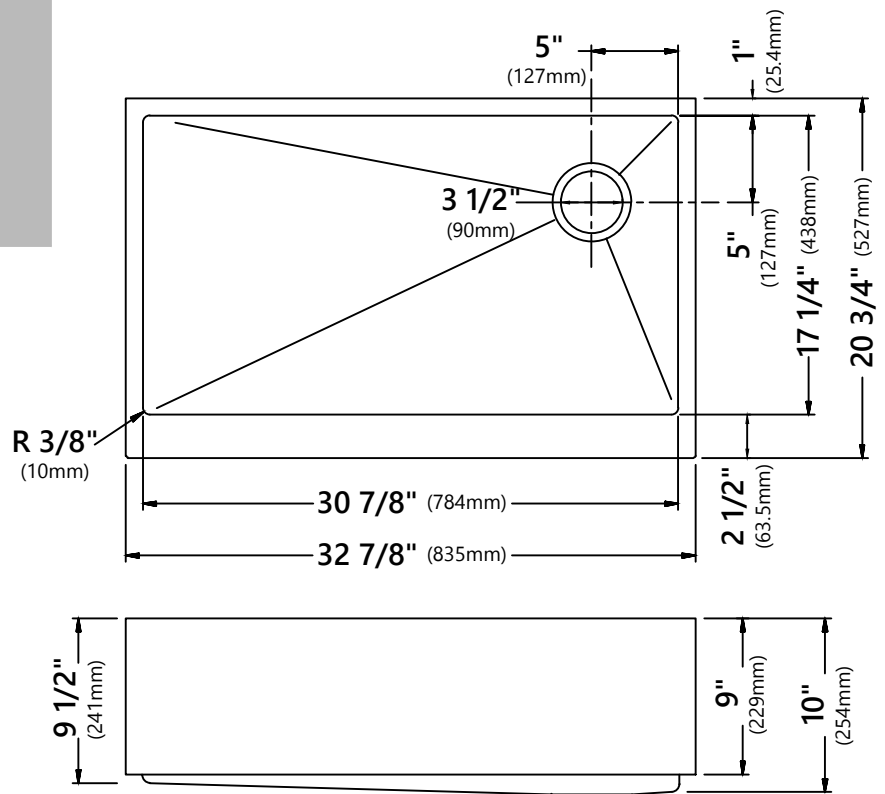
Accessories Included

- Strainer ST-1
- Cover Cap STC-2
- Bottom Grid KBG-410-33
- Cut-Out Template
- Mounting Hardware
- Towel

CODES/STANDARDS:

Product Certification

cUPC (ASME A112.19.3/CSA B45.4)



Warranty

Kraus Limited Lifetime Warranty

see website for details www.kraususa.com

KBG-410-33

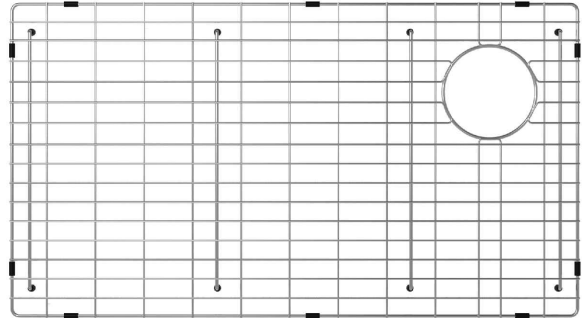
Stainless Steel Kitchen Sink Bottom Grid

Grid Dimensions

Overall Dimensions: 29 1/4" x 16 7/8" x 7/8"

Features

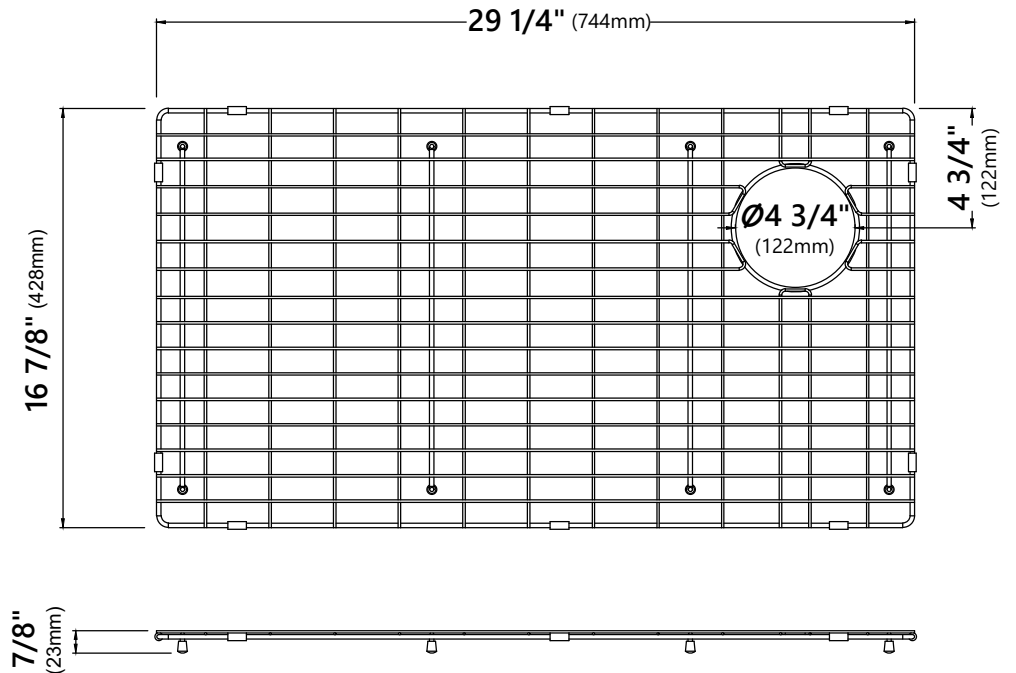
- Commercial grade stainless steel construction
- For Use with the KHF410-33 kitchen sink
- Protects bottom of sink from daily wear and tear
- Rubber feet provide additional protection



Warranty

Kraus One Year Limited Warranty

see website for details www.kraususa.com



ST-1

Stainless Steel Kitchen Sink Strainer

Strainer Dimensions

Overall Dimensions: $\phi 4 \frac{1}{2}''$ x $3 \frac{3}{4}''$

Features

- Premium Stainless Steel construction
- Fits Standard $3 \frac{1}{2}''$ or $4''$ Drain Opening
- Open/Close Stopper Prevents Debris from Clogging Drain Pipe

Available Finishes

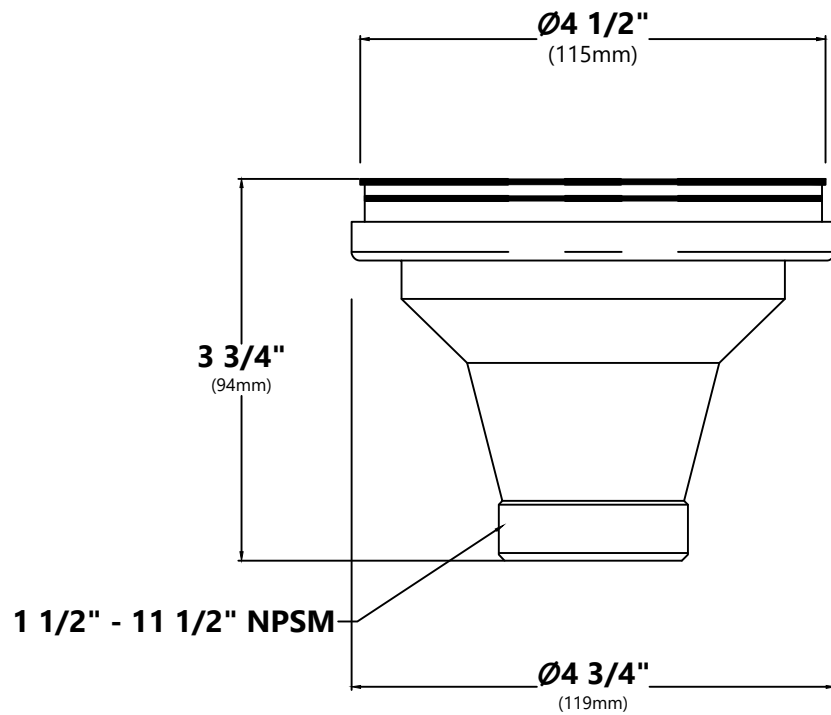
- Stainless Steel



Warranty

Kraus Limited Lifetime Warranty

see website for details www.kraususa.com



STC-2

Removable Decorative Drain Cover

Drain Cap Dimensions

Overall Dimensions: $\varnothing 4\ 1/2"$ x $5/8"$

Features

- Premium Stainless Steel Construction
- Fits Standard $3\ 1/2"$ Drain Opening
- Allows Water to Drain Easily When Installed
- Conceals Garbage Disposal and Waste Fittings for a Seamless Look
- Compatible with Standart Pro™, Pax™, Kore™, Outlast Microshield™ and Premier™ Kitchen sinks

Available Finishes

- Stainless Steel
- PVD Gunmetal



Warranty

Kraus Limited Lifetime Warranty

see website for details www.kraususa.com

