

LARGE BRONZE CROSSWEAVE FIRE PIT KF-610037D

Read the assembly instructions carefully and follow the care instructions. Save this document for future reference.

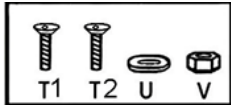
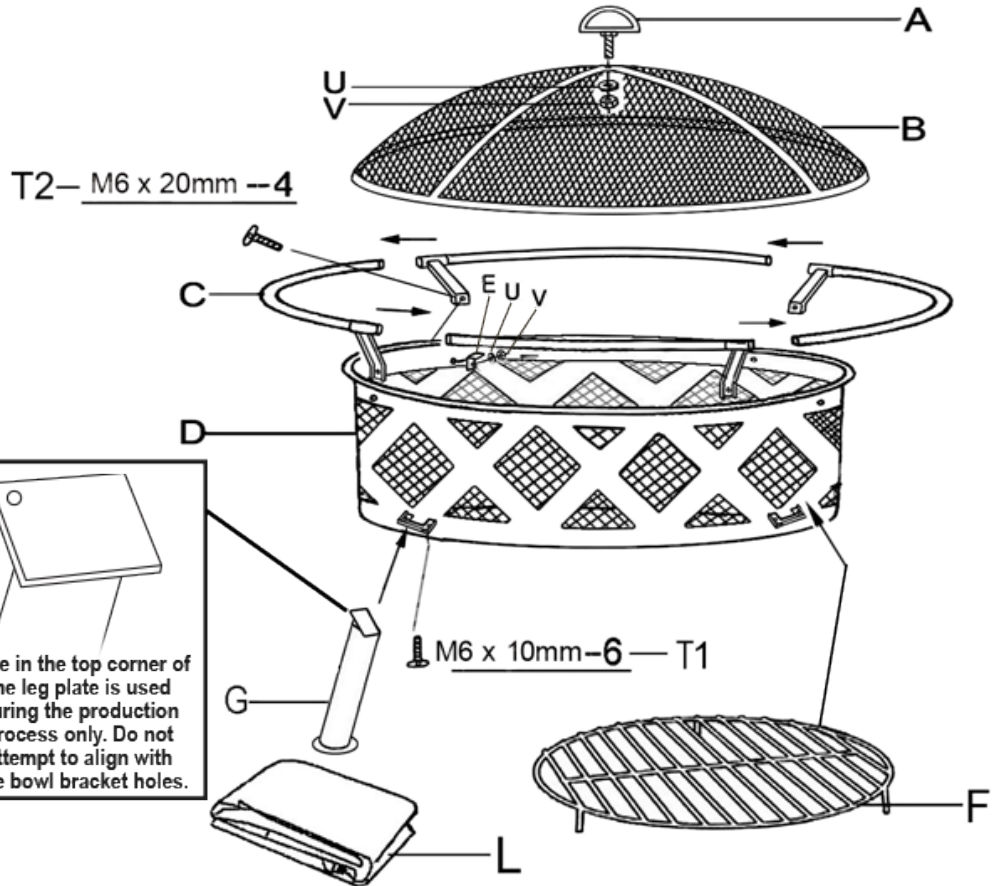
Assemble on a soft, clean surface to avoid scratching or damaging the finish.



Inspect packaging to ensure all parts are accounted for before disposing of packing materials.

No.	PARTS	QTY.
A	Spark Screen Handle	1
B	Spark Screen	1
C	1/4 Top Ring	4
D	Fire Bowl	1
E	Bracket	4
F	Log Grate	1
G	Leg	3
L	Rain Cover	1

No.	HARDWARE & TOOLS	QTY.
T1	M6 x 10mm Bolt	6
T2	M6 x 20mm Bolt	4
U	Washer	5
V	Nut	5
X	Hex Key	1
Y	Spanner	1
Z	Poker	1



CHOKING HAZARD — This item contains small parts that can be swallowed. Keep children away during assembly.

ASSEMBLY

- Slide 3x Leg (G) into the brackets on the bottom of Fire Bowl (D) and fully tighten 6x Bolt (T1) onto the leg plate. **NOTE: the pressure from tightened bolts onto the edges of the leg plate will secure the legs. The top corner of the leg plate is for the powder-coating process during production, do not align with bracket hole.**
- Attach 1x 1/4 Top Ring (C) to Fire Bowl (D) by hand-tightening 1x Bolt (T2), 1x Bracket (E), 1x Washer (U) and 1x Nut (V). **DO NOT fully tighten hardware until after the entire ring has been attached.**
- Slide the second 1/4 Top Ring (C) into the one that is attached to the Fire Bowl (B) and attach it to the fire bowl by hand-tightening 1x Bolt (T2), 1x Bracket (E), 1x Washer (U) and 1x Nut (V).
- Repeat Step 3 to attach the remaining 1/4 Top Rings (C) to Fire Bowl (D). Adjust the bracket horizontal, then tighten all the bolts.
- Place Log Grate (F) into bottom of Fire Bowl (D).
- Assemble Spark Screen Handle (A) to the Fire Screen (B) using 1x Washer (U) and 1x Nut (V).
- Place the assembled spark screen onto the fire pit.

NOTE: When not in use, and after the fire pit is completely cool, use Cover (L) to prevent exposure to water.

CARING FOR YOUR FIRE PIT:

Clean Regularly: All fire pits must be cleaned and inspected periodically. Cleaning out ashes between each use is recommended. Do not allow ash to accumulate in the bottom of the pit.

Clean Safely: Before cleaning, make sure the fire has completely died down and the metal is completely cool. Take care never to drop your fire pit, as any breakage could cause serious damage and costly repairs.

Avoid Accelerants: Never use accelerants to start a fire; this is dangerous and can damage the fire pit.

Avoid Plastic: Never use any plastic materials in or nearby a fire pit. It is very difficult to remove the residue later, and the burning of this residue can cause the emission of toxic fumes.

Use on a Safe Surface: Always use fire pits on a smooth, non-combustible surface; do not use on a wood deck or any other combustible surfaces like dry grass, leaves, mulch, etc. Keep the fire pit a safe distance from combustible structures such as fences, garages, homes, etc.

Cover and Store: Covering your fire pit while not in use is highly recommended. Do not allow the fire pit to be exposed to water; the manufacturer is not liable for rust due to weather conditions. Do not allow water to accumulate in the cover.

During winter and inclement weather, cover and store the fire pit in a dry location; this will protect it from the elements and dust buildup.

Extinguish: Letting fires die down gradually is best. Do not use water to put out a fire as this may cause the metal to crack from the sudden drop in temperature.

⚠ SAFETY STATEMENTS & WARNINGS ⚠

- For outdoor use only. Never use this product in an enclosed area.
- Always follow local laws and regulations when using wood-burning fire pits.
- Exercise the same care and precautions as you would with an open fire.
- Only use this fire pit on a level, non-combustible surface.
- Keep unit a safe distance away from buildings, balconies, or overhangs when in use.
- Do not use on or near combustible surfaces or structures such as wood decks, dry leaves or grass, mulch, vinyl or wood siding, etc.
- Keep away from all combustible materials including gasoline and other flammable liquids and vapors.
- Never use accelerants such as, but not limited to, gasoline, alcohol, paint thinners, kerosene, as this may cause serious injury or product damage.
- Children should always be under direct adult supervision around this product. Supervise children and pets when the fire pit is in use.
- Do not overfill or use this unit to burn leaves or trash.
- Avoid using any fire pit during dry or windy conditions.
- Never leave unit unattended while hot or in use.
- DO NOT USE CHEMICAL-BASED CLEANERS as this may damage the product and/or ignite unsafe flames during the next use.
- Extinguish the fire properly before leaving. Use a fire extinguisher or a bucket of sand to smother the fire if necessary. Do not use water to extinguish hot fires or embers as this may cause serious injury and may damage the product.
- Ashes can remain hot for a long time. Ensure ashes are completely cold and dispose of them properly.
- The fire pit becomes very hot when in use; let it completely cool before cleaning or moving.
- Ensure the unit is completely cool before covering.

Any modification to the product or failure to follow recommended care will void the product warranty.

⚠ WARNING!

Manufacturer and seller expressly disclaim any and all liability from personal injury, property damage or loss, whether direct or indirect, or incidental, resulting from the incorrect attachment, improper use, inadequate maintenance, or neglect of this product.