

KBG-32

Stainless Steel Kitchen Sink Bottom Grid

Grid Dimensions

Overall Dimensions: 15" x 12 5/8" x 1 1/8"

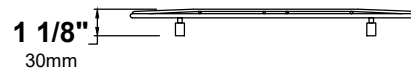
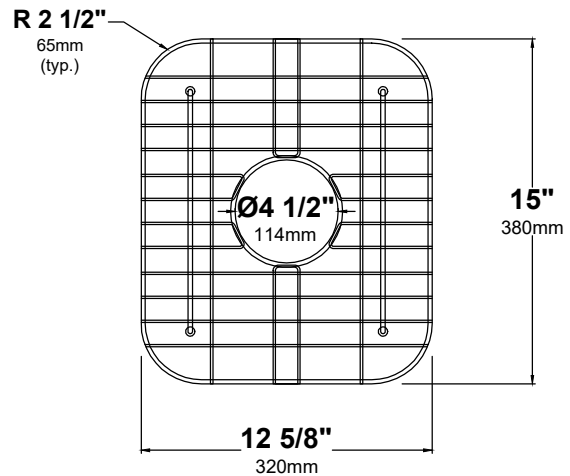
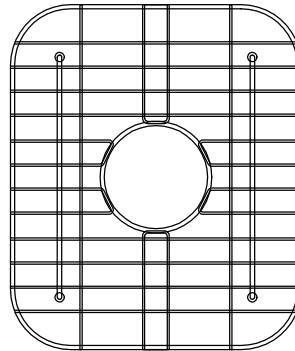
Features

- Commercial grade stainless steel construction
- Fits in bowl of KBU-32 kitchen sink
- Protects bottom of sink from daily wear and tear
- Rubber feet provide additional protection

Warranty

Kraus One Year Limited Warranty

see website for details www.kraususa.com



KBU32

32 Inch Undermount Double Bowl Stainless Steel Kitchen Sink

Sink Dimensions

Overall Dimensions: 32 1/4" x 18 7/8"

Bowl Dimensions: 14 1/2" x 16 7/8"

Sink Depth: 8 1/2"

Features

- 16 Gauge Stainless Steel Construction
- Double Bowl Undermount Pressed Sink
- Required Minimum Cabinet Size: Left to Right 36", Front to Back 24"
- Center Set Drains
- 3 1/2" Drain Opening
- Low Center Divider
- NoiseDefend Undercoating and Sound Dampening Pads

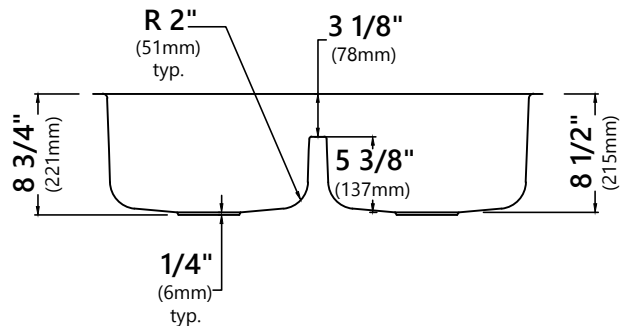
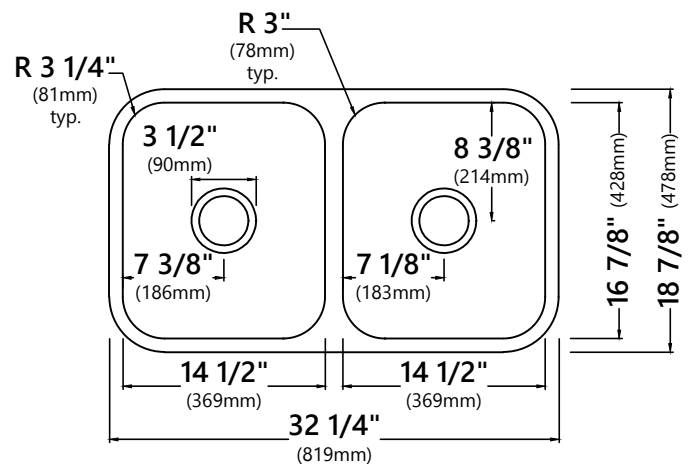
Accessories Included

- Strainer ST-1 x2
- Bottom Grid KBG-32 x2
- Cut-Out Template
- Mounting Hardware

CODES/STANDARDS:

Product Certification

cUPC (ASME A112.19.3/CSA B45.4)



Warranty

Kraus Limited Lifetime Warranty

see website for details www.kraususa.com

ST-1

Stainless Steel Kitchen Sink Strainer

Strainer Dimensions

Overall Dimensions: $\phi 4 \frac{1}{2}''$ x $3 \frac{3}{4}''$

Features

- Premium Stainless Steel construction
- Fits Standard $3 \frac{1}{2}''$ or $4''$ Drain Opening
- Open/Close Stopper Prevents Debris from Clogging Drain Pipe

Available Finishes

- Stainless Steel



Warranty

Kraus Limited Lifetime Warranty

see website for details www.kraususa.com

