

# KA1US33B

## 33 Inch Undermount Single Bowl Stainless Steel Kitchen Sink

# Kräus<sup>®</sup>

SPECIFICATION SHEET

### Sink Dimensions

Overall Dimensions: 32 7/8" x 18 7/8"

Bowl Dimensions: 31 1/8" x 17 1/8"

Bowl Depth: 9"

### Features

- 16 Gauge Stainless Steel Construction
- Type 18/10 Antibacterial Antibacterial Properties
  - 99.9% reduction of bacteria
  - Escherichia coli
  - Staphylococcus
- Single Bowl Undermount Sink
- Required Minimum Cabinet Size: 36" Left to Right, 24" Front to Back
- Rear Center-Set Drain
- 3 1/2" Drain Opening
- NoiseDefend Undercoating and Sound Dampening Pads

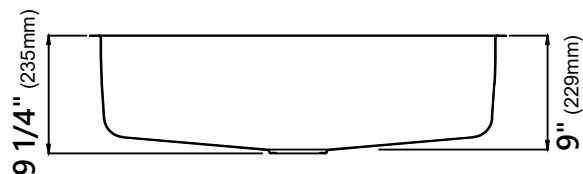
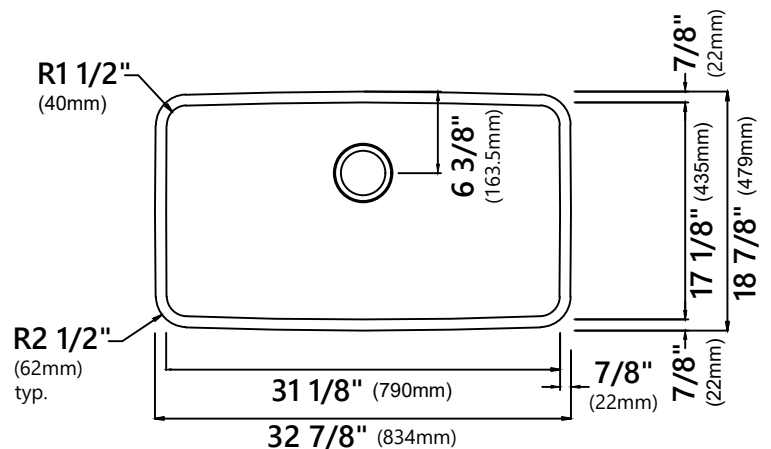
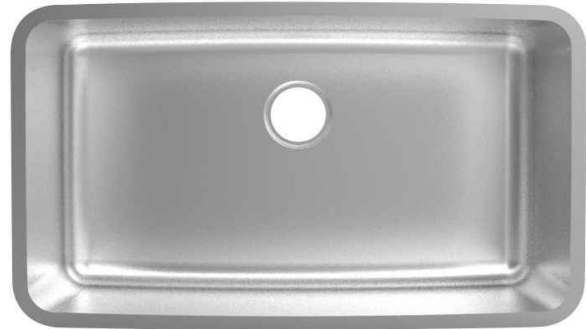
### Accessories Included

- Strainer ST-4
- Bottom Grid BG3117
- Cut-Out Template
- Mounting Hardware

### CODES/STANDARDS:

#### Product Certification

cUPC (ASME A112.19.3/CSA B45.4), MASS



### Warranty

Kraus Limited Lifetime Warranty

see website for details [www.kraususa.com](http://www.kraususa.com)

## ST-4

### Stainless Steel Kitchen Sink Strainer

#### Grid Dimensions

Overall Dimensions:  $\phi 4\ 1/2"$  x  $2\ 5/8"$

#### Features

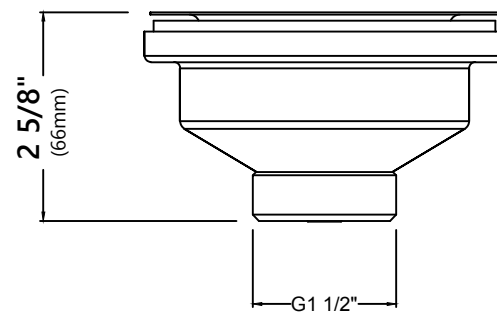
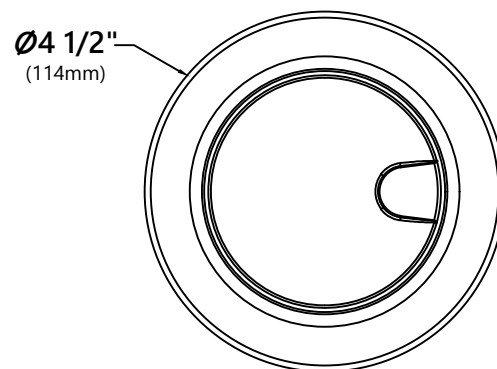
- Premium Stainless Steel construction
- Fits Standard  $3\ 1/2"$  or  $4"$  Drain Opening
- Removable Strainer Prevents Debris from Clogging Drain Pipe
- Tailpiece Included
- Decorative Stainless Steel Cover Fits Over Drain



#### Warranty

Kraus Limited Lifetime Warranty

see website for details [www.kraususa.com](http://www.kraususa.com)



## BG3117

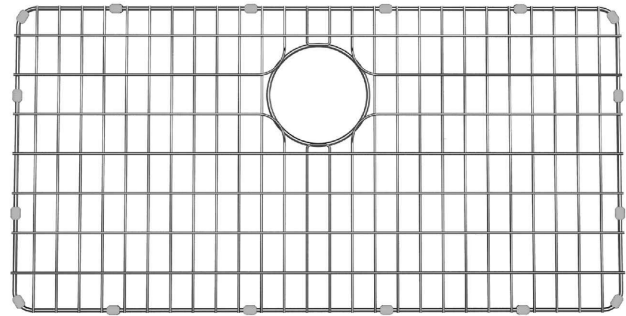
### Stainless Steel Kitchen Sink Bottom Grid

#### Grid Dimensions

Overall Dimensions: 28 5/8" x 14 3/8" x 3/8"

#### Features

- Commercial grade stainless steel construction
- For Use with the KD1US33B kitchen sink
- Protects bottom of sink from daily wear and tear
- Rubber feet provide additional protection



#### Warranty

Kraus One Year Limited Warranty

see website for details [www.kraususa.com](http://www.kraususa.com)

