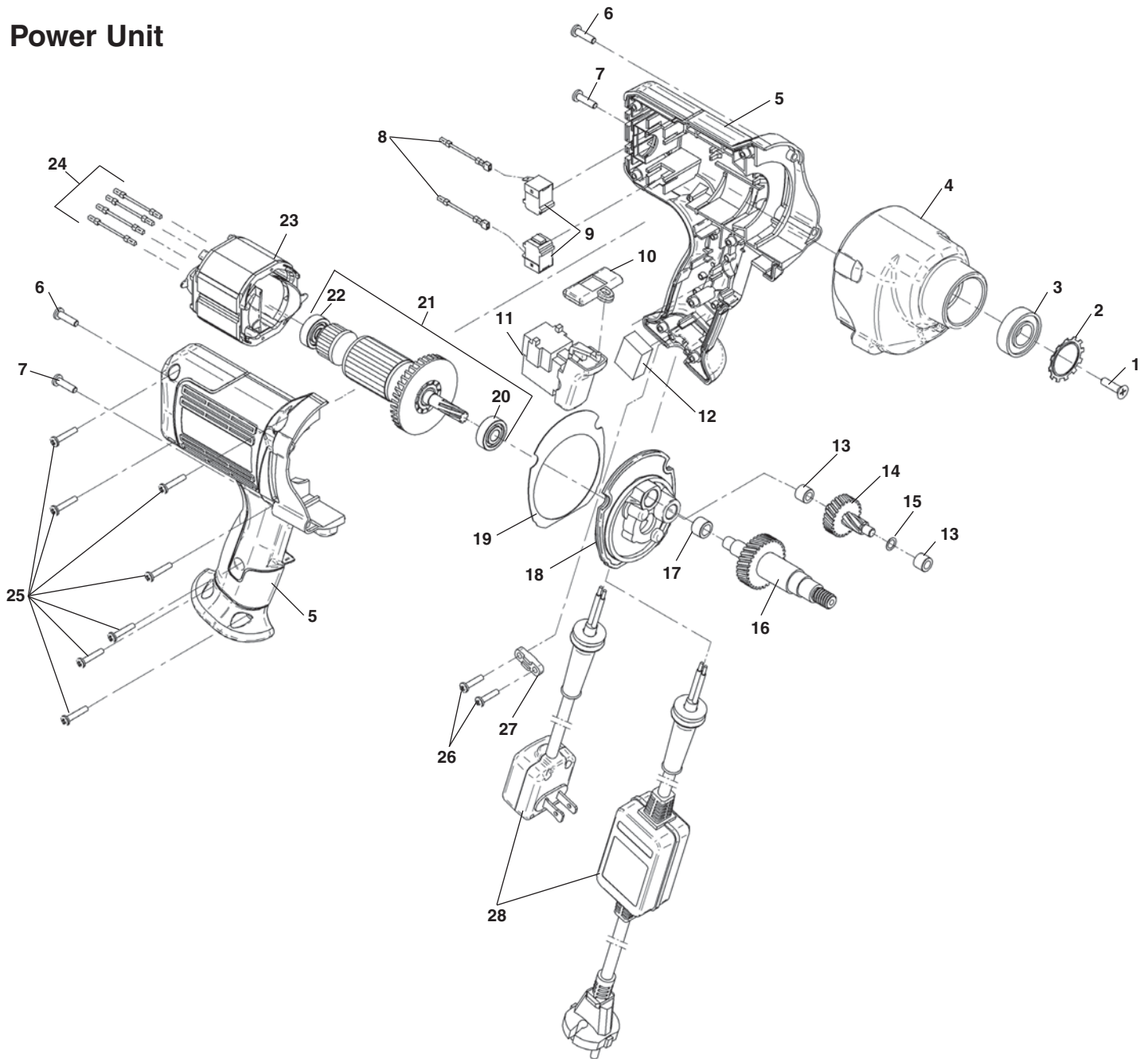
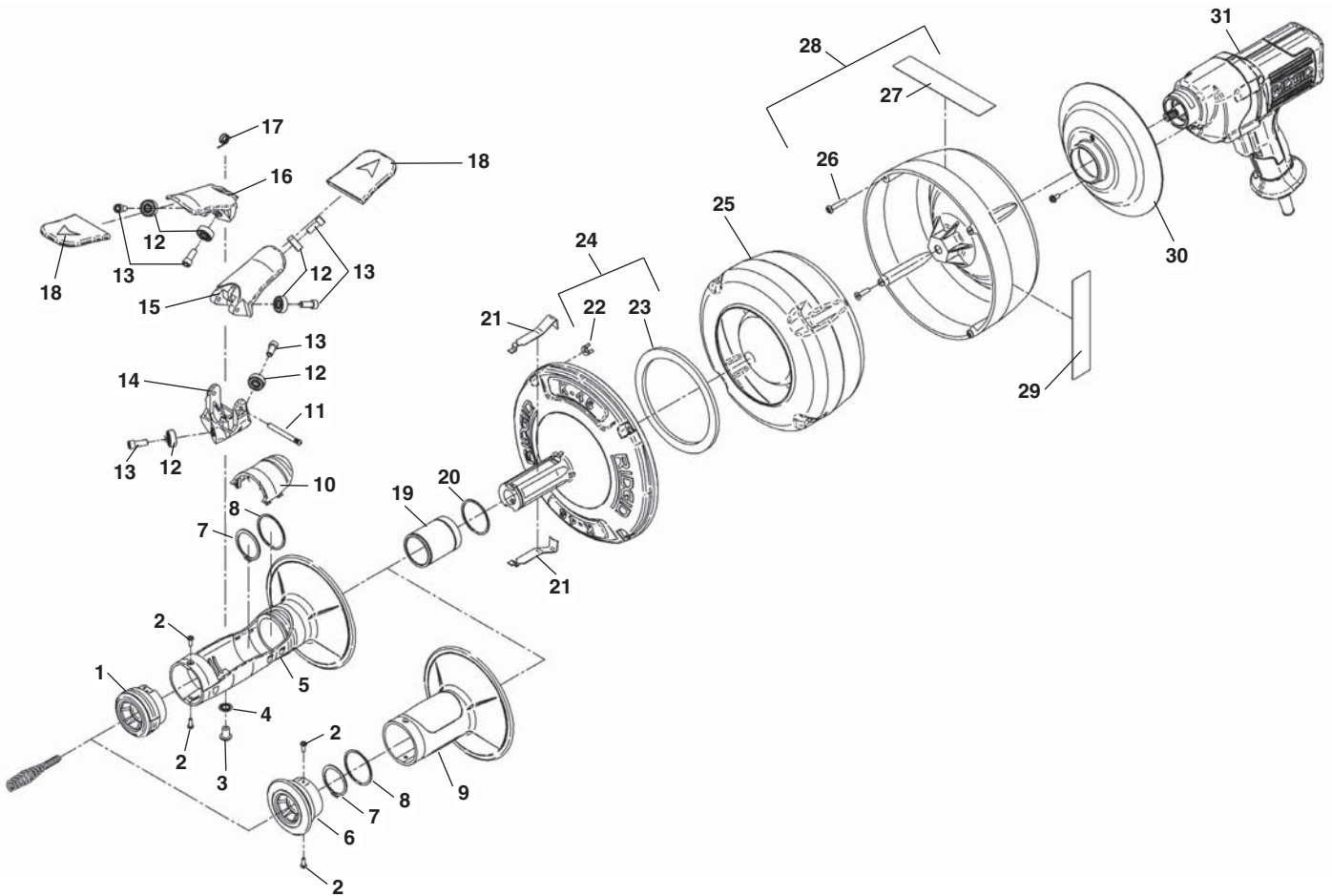


**Power Unit**



**NOTE: Order parts by Catalog Number only.  
DO NOT order by Reference Number.**

Ref. No.	Catalog No.	Description	Ref. No.	Catalog No.	Description
—	36488	Power Unit, 115V	15	36398	Washer
—	36493	Power Unit, 230V (Europe)	16	36408	Spindle Gear
—	40018	Power Unit, 230V (Australia)	17	36413	Needle Bearing
1	36333	Screw, LH	18	36418	Bearing Plate
2	36338	Star Washer	19	36423	Gasket
3	36343	Bearing	20	36428	Bearing
4	36348	Gear Housing	21	36433	Armature, 115V
5	36353	Housing Set		36438	Armature, 230V
6	36358	Screw, M4 x 25	22	36443	Bearing
7	36363	Screw, M4 x 41	23	36448	Field, 115V
8	36368	Brush Wire Set		36453	Field, 230V
9	36373	Brush Set	24	36458	Lead Wire Set
10	36378	Switch Lever	25	36463	Screw
11	36383	Switch	26	36468	Screw
		Switch, 230V	27	36473	Cord Clamp
12	36388	Capacitor 230V	28	36478	Line Cord, 115V
13	36393	Needle Bearing		36483	Line Cord, 230V (Europe)
14	36403	Intermediate Gear		40023	Line Cord, 230V (Australia)



**NOTE: Order parts by Catalog Number only.  
DO NOT order by Reference Number.**

Ref. No.	Catalog No.	Description	Ref. No.	Catalog No.	Description
1	24163	Nose Piece, Auto	17	24228	Torsion Spring
2	24168	Screw	18	30138	AUTOFEED Lever Cover
3	24178	Button Screw 5/16 - 18	19	24233	Sleeve
4	92255	Lockwasher	20	41512	Spiral Ring
5	24183	Hand Grip, Auto	21	24243	Clamp Spring
6	24188	Nose Piece, Manual	22	68942	Clips
7	24193	Retaining Ring	23	47252	Gasket
8	41512	Spiral Ring	24	24238	Drum Front
9	24198	Hand Grip, Manual	25	68917	Drum Liner
10	24203	Top Grip Cap	26	69542	Screw 10-32 x 1
11	24208	Pivot Pin	27	24249	Caution Label
12	67997	Roller Bearing	28	68932	Drum Back
13	39830	Socket HD Cap Screw	29	36503	Warning Label
14	24213	AUTOFEED Carriage	30	36498	Drum Guard
15	24218	Reverse Lever	31	36488	Power Unit 115V
16	24223	Forward Lever		36493	Power Unit 230V