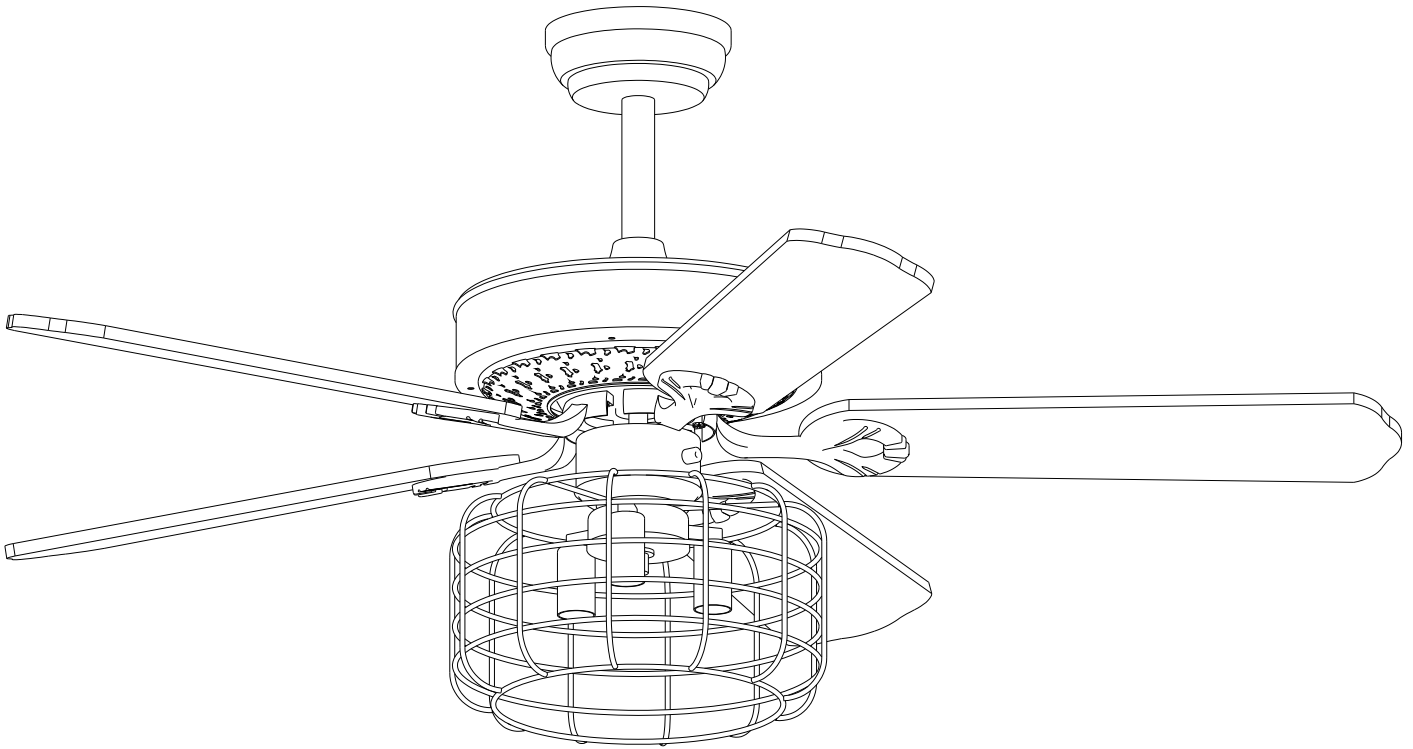


USE AND CARE GUIDE

52-INCH CRYSTAL CEILING FAN

JONATHAN Y



Attach your receipt here
Read and save these instructions

Serial Number _____ Purchase Date _____

JYL9603A

Table of Contents

Safety Information	2
Pre-Installation	3
Hardware included	4
Pre-Installation (continued)	5
Assembly-Standard Ceiling Mount	6
Installation of the hanging bracket	7

Assembly-Hanging the Fan	8
Assembly-Attaching the Fan Blades	9
Assembly-Attaching the Lights	10
Attaching the crystal shade and bulbs	11
Use of remote control	12
Care and cleaning	13

Safety Information

- 1、 To reduce the risk or electrical shock the electricity has been turned off at the circuit breaker or fuse box before begin.
- 2、 All wiring must be in accordance with the National Electrical Code NASI/NFPA 70 -1999 and local electrical codes. Electrical installation should be performed by a qualified licensed electrician .
- 3、 The outlet box and support srtructure must be securely mounted and capable of reliably supporting 35ib.(15.9kg).Use only UL listed outlet boxes marked "Acceptable for Fan Support of 35ibs(15.9kg)or less."
- 4、 The fan must be mounted with a minimum of 7 ft. (2m) clearance from the trailing edge of the blades to the floor.
- 5、 Do not operate the reversing switch while the fan blades are in motion. You must turn the fan off and stop the blades before you reverse the blade direction.
- 6、 Do not place objects in the path of the blades.
- 7、 To avoid personal injury or damage to the fan and other items use caution when working around or cleaning the fan.
- 8、 Electrical diagrams are for reference only. Light kits that are not packed with the fan must be UL-listed and marked suitable for use with the model fan you are installing. Switches must be UL General Use Switches. Refer to the instructions packaged with the light kits and switches for proper assembly.
- 9、 After making electrical connections , spliced conductors should be turned upward and pushed carefully up into the outlet box.The wires should be spread apart with the grounded conductor and the equipment-grounding conductor on one side of the outlet box.
- 10、 All setscrews must be checked and retightened where necessary before installation.



WARNING:TO reduce the risk of personal injury, do not bend the blade brackets (also referred to as flanges) during assembly or after installation.Do not insert objects in the path of the blades .



WARNING: Remove the rubber motor stops on the bottom of the fan before installing the blades or testing the motor.



WARNING: To reduce the risk or fire or electric shock,do not use this fan with any solid-state speed control device.



WARNING:To avoid possible electrical shock, turn the electricity off at the main fuse box before wiring.It you feel you do not have enough electrical wiring knowledge or experience, contact a licensed electrician.



WARNING: Electrical diagrams are for reference only. Optional use of any light kit shall be UL-listed and marked suitable for use with this fan.



WARNING: To reduce the risk of fire, electric shock, or personal injury. mount to outlet box marked " Acceptable for fan support of 35 lbs.(15.9 kg)or less." and use the screws provided with the outlet box.

Warranty

The supplier warrants the fan motor to be free from defects in workmanship and material present at time of shipment from the factory for a lifetime after the date of purchase by the original purchaser. The supplier also warrants that all other fan parts, excluding any glass or acrylic blades, to be free from defects in workmanship and material at the time of shipment from the factory for a period of one year after the date of purchase by the original purchaser. We agree to correct such defects without charge or at our option replace with a comparable or superior model if the product is returned. To obtain warranty service, you must present a copy of the receipt as proof of purchase. All costs of removing and reinstalling the product are your responsibility. Damage to any part such as by accident or misuse or improper installation or by affixing any accessories, is not covered by this warranty. Because of varying climatic conditions this warranty does not cover any changes in brass finish, including rusting, pitting, corroding, tarnishing, or peeling. Brass finishes of this type give their longest useful life when protected from varying weather conditions. A certain amount of "wobble" is normal and should not be considered a defect. Servicing performed by unauthorized persons shall render the warranty invalid. There is no other express warranty. Hampton Bay hereby disclaims any and all warranties, including but not limited to those of merchantability and fitness for a particular purpose to the extent permitted by law. The duration of any implied warranty which cannot be disclaimed is limited to the time period as specified in the express warranty. Some states do not allow a limitation on how long an implied warranty lasts, so the above limitation may not apply to you. The retailer shall not be liable for incidental, consequential, or special damages arising out of or in connection with product use or performance except as may otherwise be accorded by law. Some states do not allow the exclusion of incidental or consequential damages, so the above exclusion or limitation may not apply to you. This warranty gives specific legal rights, and you may also have other rights which vary from state to state. This warranty supersedes all prior warranties. Shipping costs for any return of product as part of a claim on the warranty must be paid by the customer.

Pre-Installation

SPECIFICATION

Size	Speed	Volts	Amps	Watts	RPM	Net Weight	Gross Weight	Cube Feet
52 in	Low	120	0.21	10	60	17.6lb	20.68lb	3.04cu.ft
	Medium		0.34	27	107			
	High		0.53	63	172			

The above data are for reference only, Actually the motor speed of each ceiling fan is a little different. Any products, Subject to actual products as standard.



NOTE: These are approximate measures. They do not include the amps and wattage used by the light kit.

Specifications & measurements shown are subject to $\pm 5\%$ variations.

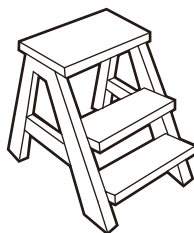
TOOLS REQUIRED



Phillips screwdriver



Flat blade screwdriver



Step ladder



Wire stripper



Electrical tape

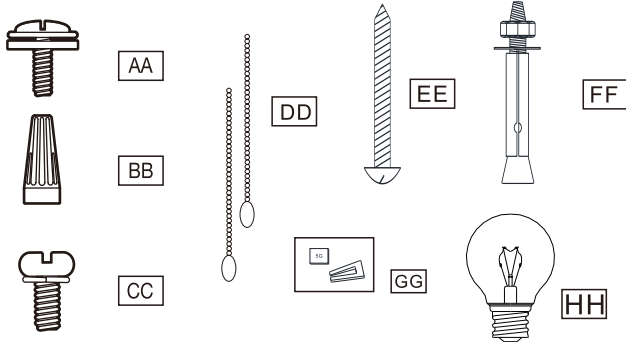
Pre-Installation(continued)

HARDWARE INCLUDED



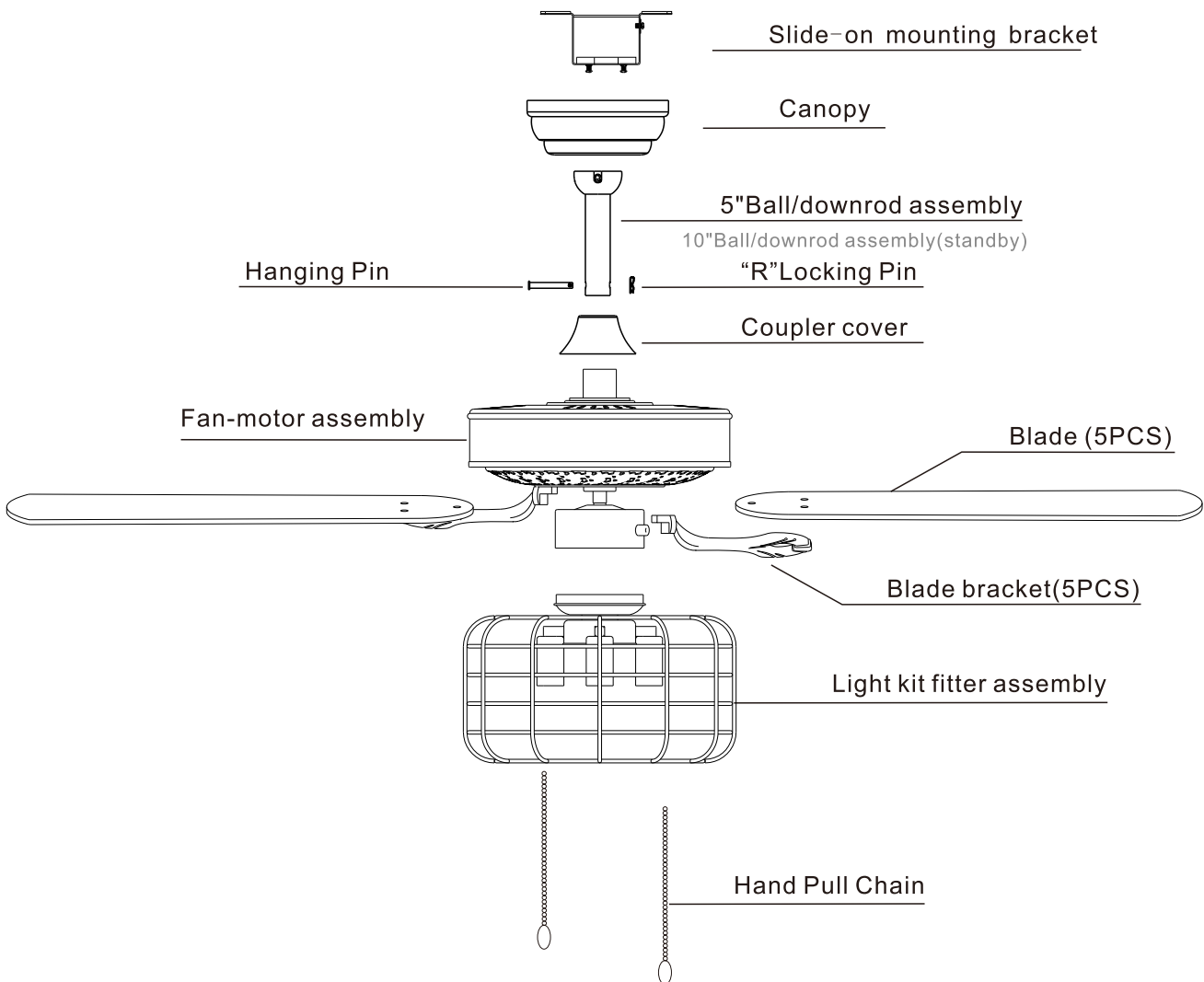
NOTE: Hardware not shown to actual size.

components table

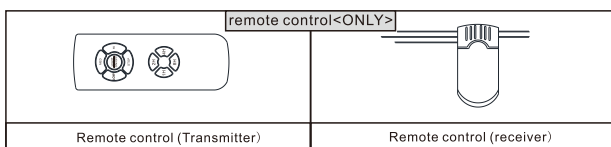


AA	Blade attachment screw and fiber washer	16
BB	Plastic wire nut (not to scale)	3
CC	Blade arm screw and lock washer	1
DD	Pull chain and fob (not to scale) < hand pull chain only >	2
EE	Mounting screws	4
FF	Expansion Bolts	2
GG	Balanced parts package	1
HH	E26 bulb	3

PACKAGE CONTENTS



ⓘ The choose and buy accessories



Pre-Installation(continued)

MOUNTING OPTIONS

Low-profile use(Figure1)

A 1/2-in.-deep pancake box is meant to be screwed to a joist or block. It's used if only one cable is coming into the box. It is also available in a saddle-mount

Deep-profile use(Figure2)

A 2-1/4-in.-deep box can be attached to blocking between joists and is roomy enough to handle more than one cable.

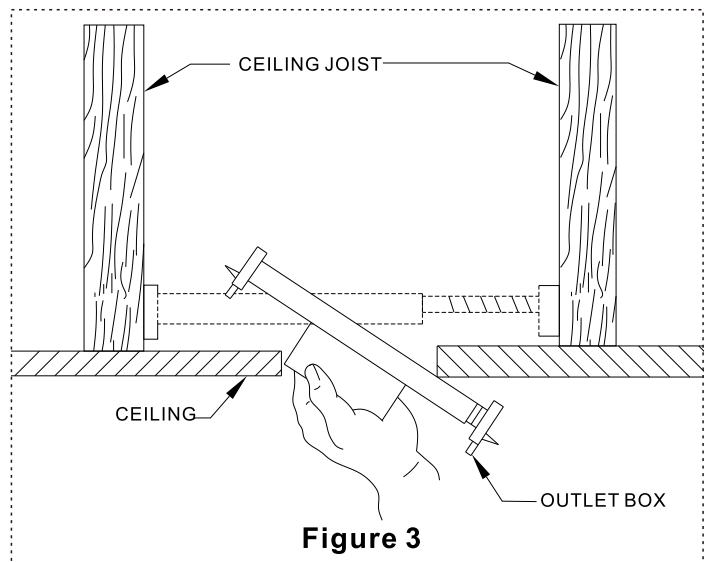
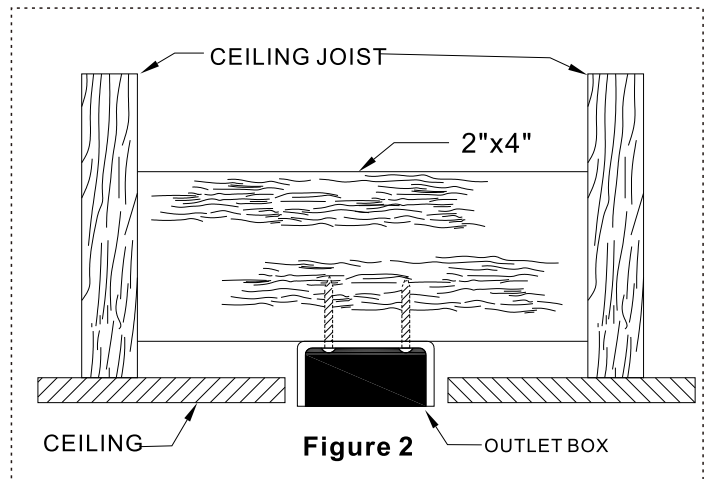
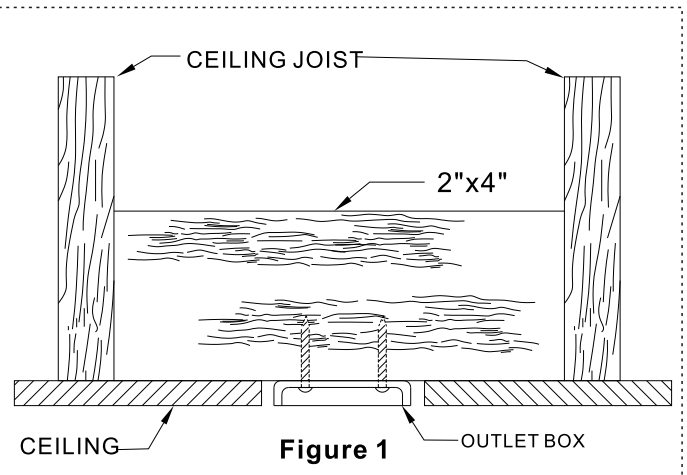
Brace use(Figure3)

Paired with a deep box, this hanger is meant to span between two joists and takes the place of wooden blocking.



NOTE:

You may need a longer downrod to maintain proper blade clearance when installing on a steep, sloped ceiling. The maximum angle allowable is 30° away from horizontal.



WARNING

To reduce the risk of fire, electrical shock, or personal injury, mount fan to outlet box marked acceptable for fan support of 15.88kg(35lbs) or less. Use screws supplied with outlet box. Most outlet boxes commonly used for support of light fixtures are not acceptable for fan support and may need to be replaced. Consult a qualified electrician if in doubt.

If your fan is to replace an existing light fixture, turn electricity off at the main fuse box at this time and remove the existing light fixture.

WARNING

Turning off wall switch is not sufficient. To avoid possible electrical shock, be sure electricity is turned off at the main fuse box before wiring. All wiring must be in accordance with National and Local codes and the ceiling fan must be properly grounded as a precaution against possible electrical shock.

WARNING

To avoid fire or shock, follow all wiring instructions carefully. Any electrical work not described in these instructions should be done or approved by a licensed electrician.

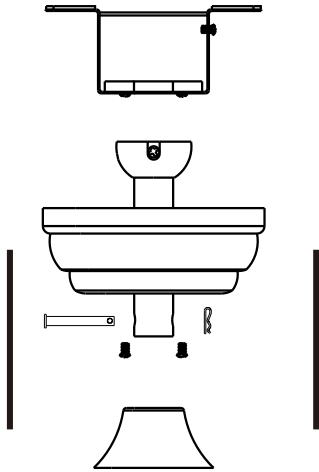
WARNING

Do not operate this fan with a variable (Rheostat) wall controller or dimmer switch. Doing so could result in damage to the ceiling fan's remote control unit.

Assembly - Standard Ceiling Mount

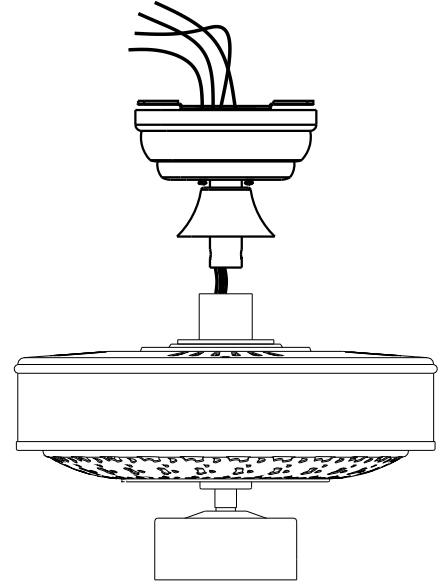
1. Install suspension system

- Remove the hanging pin and r-locking pin at the bottom of the lifting pipe and set them aside for later use.
- Let's pass the downrod assembly through the canopy. Pass the downrod assembly through the Coupler cover.



2. Routing the wires

- Route the wires exiting the top of the fan motor through the coupler cover, and canopy ring.
- Make sure the slot openings are on top and route the wires through the canopy and then through the ball/downrod assembly.



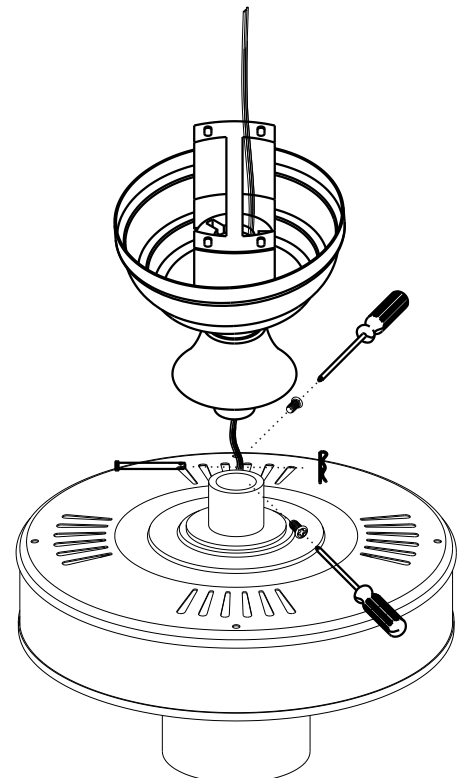
Assembly - Standard Ceiling Mount

3. Assembling the fan

WARNING

WARNING: Failure to properly install the locking pin could result in the fan becoming loose and possibly falling.

- Loosen, but do not remove, the two setscrews on the collar on top of the motor housing.
- Align the holes at the bottom of the downrod with the holes in the collar on top of the motor housing.
- Carefully insert the hanger pin through the holes in the collar and downrod. Be careful not to jam the hanger pin against the wiring inside the downrod.
- Insert the locking pin through the hole near the end of the hanger pin until it snaps into its locked position.
- Re-tighten the two setscrews on the collar on top of the motor housing.



Installation of the hanging bracket(suspension part)

1. Install a hanger on the ceiling

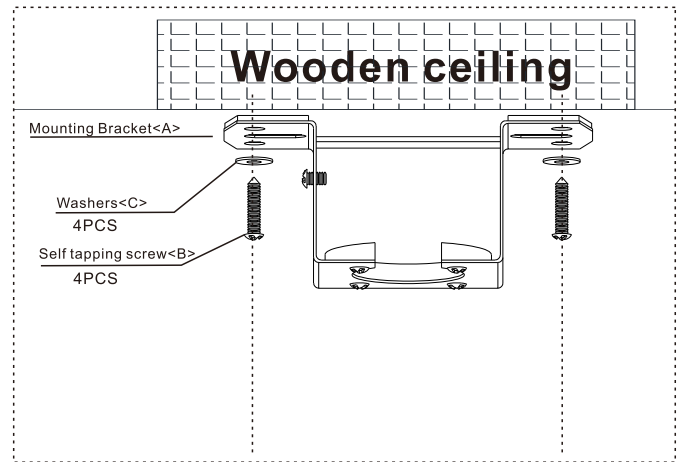
STEP 1A-WOODEN CEILING

For wooden ceiling, use wood screw to drill on the wooden beam or the "junction box" to fix the hanging bracket (selection is made according to actual requirements of the customers).

SWITCH OFF THE ELECTRICAL MAINS AT THE CIRCUIT BREAKER FUSE BOX.

- 1) Use the Mounting Bracket (A) as a guide, mark the spots where the 4 Self Tapping Screws (B) will be drilled.
- 2) Remove the Mounting Bracket (A), drill 4 holes for 3MM diameter, install the mounting bracket onto wooden ceiling with the 4 Self Tapping Screws (B) & Washers (C).

⚠ IMPORTANT : SCREWS MUST BE TIGHTENED TILL SNUG



STEP 2A - CONCRETE CEILING

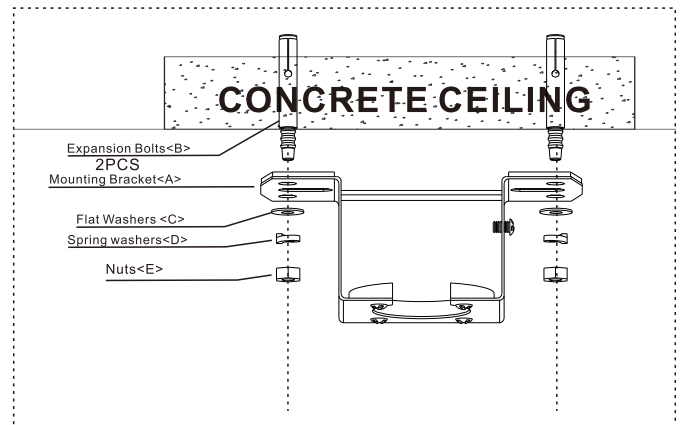
For concrete ceiling, use the percussion bit with diameter 8mm to drill holes according to the length of expansion screws. Then use the attached expansion screws to fix the hanging bracket onto the ceiling (selection is made according to actual requirements of the customers).

SWITCH OFF THE ELECTRICAL MAINS AT THE CIRCUIT BREAKER FUSE BOX.

- 1) Use the Mounting Bracket (A) as a guide, mark the spots where the 4 Expansion Bolts (B) will be drilled.
- 2) Remove the Mounting Bracket (A), drill 4 holes and insert 4 Expansion Bolts (2) into the concrete ceiling, install the mounting bracket and secure with Flat Washers (C), Spring Washers (D) and Nuts (E).

IMPORTANT : SCREWS & NUTS MUST BE

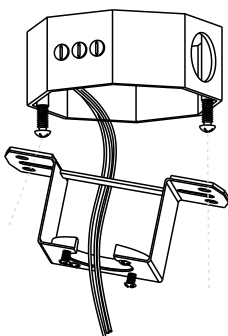
⚠ TIGHTENED TILL SNUG



Assembly - Hanging the Fan

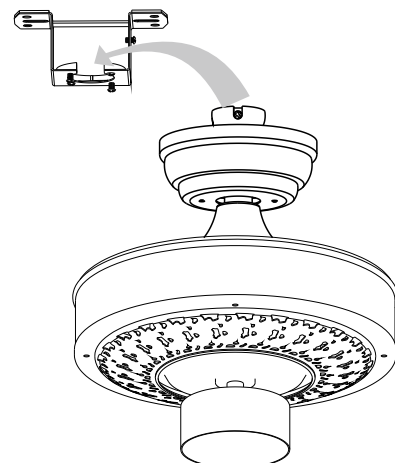
2. Attaching the fan to the electrical box

- Pass the 120-Volt supply wires through the center hole in the mounting bracket .
- Install the ceiling mounting bracket on the outlet box by sliding the mounting bracket over the two screws provided with the outlet box. If necessary, use leveling washers (not included) between the mounting bracket and the outlet box. Note that the flat side of the mounting bracket is toward the outlet box. When using close-to-ceiling mounting, it is important that the mounting bracket be level.
- Securely tighten the two mounting screws .



⚠ WARNING

WARNING: To reduce the risk of fire, electric shock or personal injury, mount to outlet box marked "Acceptable for fan support of 35 lbs. (15.9 Kg) or less", and use screws provided with the outlet box



Assembly – Hanging the Fan(continued)

1. Making the electrical connections(Hand Pull Chain Only)



WARNING: Each wire not supplied with this fans is designed to accept up to one 12-gauge house wire and two wires from the fan. If you have larger than 12-gauge house wiring or more than one house wire to connect to the fan wiring, consult an electrician for the proper size wire nuts to use.



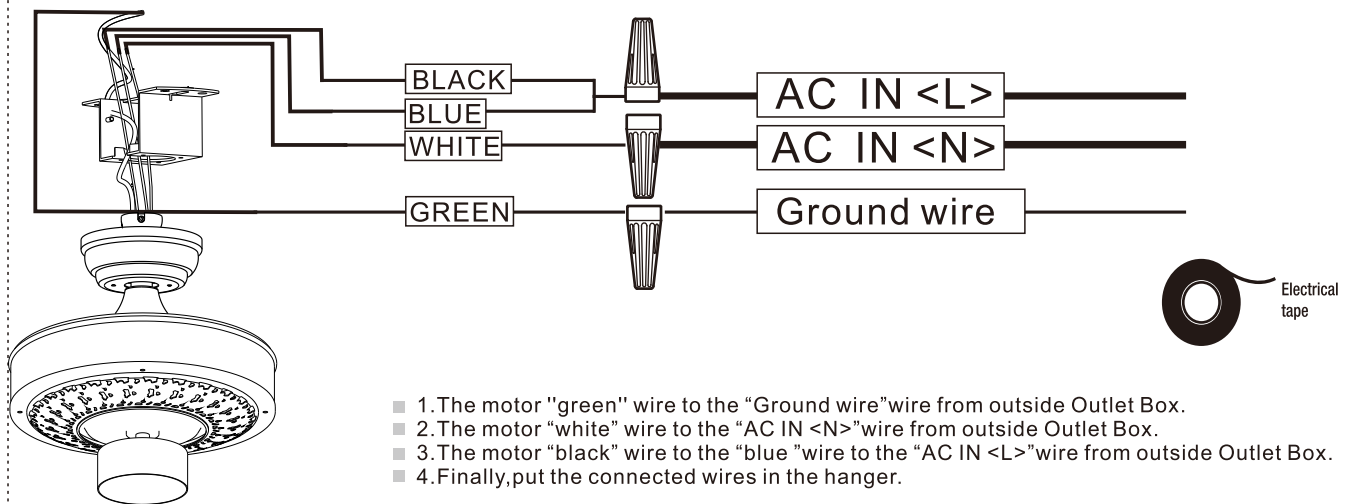
WARNING: Remove the rubber motor stops on the bottom of fan before installing the blades or testing the motor.



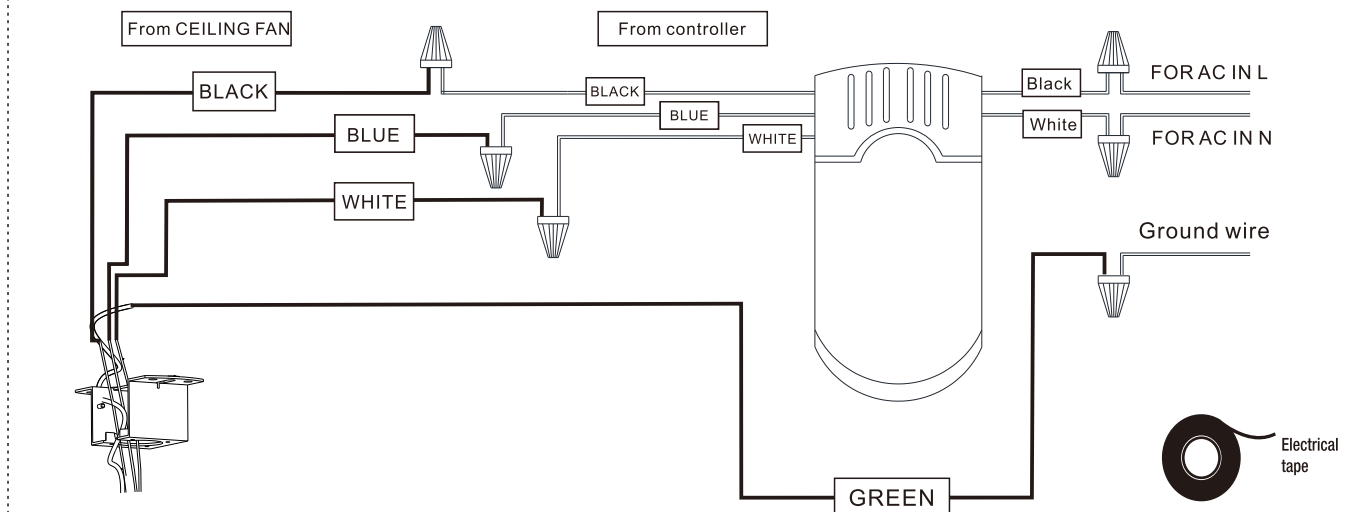
IMPORTANT: Use the plastic wire connectors(BB) supplied with your fan. Secure the connectors with electrical tape and ensure there are no loose strands or connections.



NOTE: The fan comes with 54in. Lead wires for use with an extended ball/downrod assembly. If using the 4.5in. ball/downrod assembly(B) provided you can cut the lead wires to your desired length(no sooner than 12in.).



2. Making the electrical connections(Remote Control Only)



- a. The motor **white** wire to the **white** "TO MOTORN" wire from Receiver with a wire nut.
- b. The motor **black** wire to the **black** "to motor L" wire from Receiver with a wire nut.
- c. The lamp **blue** wire to the **blue** "to Light" wire from Receiver with a wire nut.
- d. The **white** wire from Outlet Box to the red "AC in N" wire from Receiver with a wire nut.
- e. The **black** wire from Outlet Box to the red "AC in L" wire from Receiver with a wire nut.

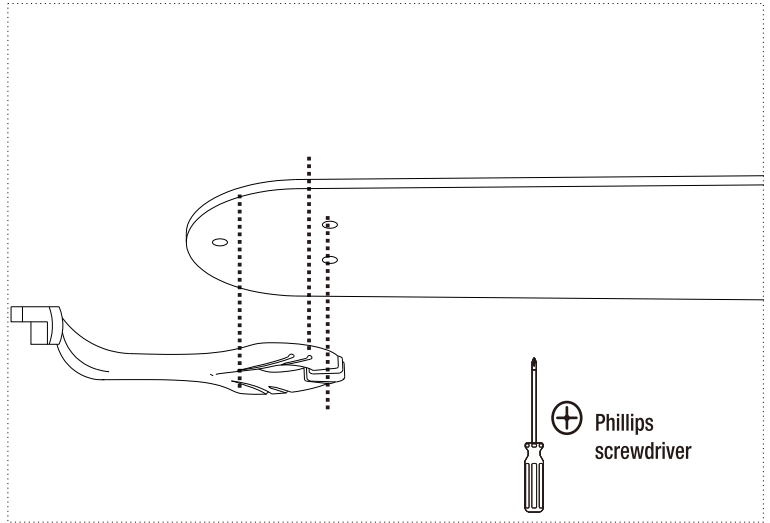
Connect the supply ground wire to green ground wire from canopy and the green ground wire from the hanger bracket together using a wire nut.

Tuck all wire nuts and wires carefully up into the Outlet Box, EXCEPT antenna, which should remain outside Outlet Box

Assembly – Attaching the Fan Blades

1. Attaching the fan blades

- Mount the fan blades to the blade bracket by aligning the three key-slot holes in the blade with the three posts on the top of the blade brackets.
- Hold the blade close to the blade bracket and press the blade down firmly. Ensure the key-slot holes are properly seated on the blade arm posts.
- While still holding the blade down, firmly slide the blade away from the bracket side until the blade engages in the locking mechanism.
- Make sure the locking mechanism at the rear of the blade bracket springs upward and butts against the edge of the blade indicating a secure connection.
- Visually inspect the top of the blade bracket to ensure the locking mechanism is securely in place.
- Repeat for the remaining blades.



NOTE: Your fan features revolutionary advancements for quick and easy blade installation.



NOTE: Your fan blades are reversible. Select the blade side finish which best accentuates your decor.

Assembly – Attaching the Fan Blades

2. Attaching the blade brackets



WARNING: Remove the rubber motor stops on the bottom of the fan before installing the blades or testing the motor.

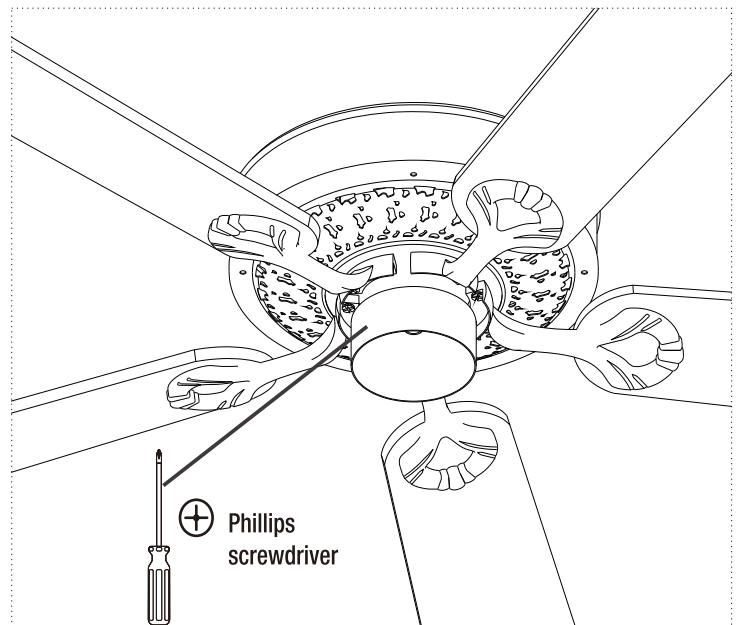


NOTE: Your fan features revolutionary advancements for quick and easy blade installation. Including an alignment post and captive blade arm screws.



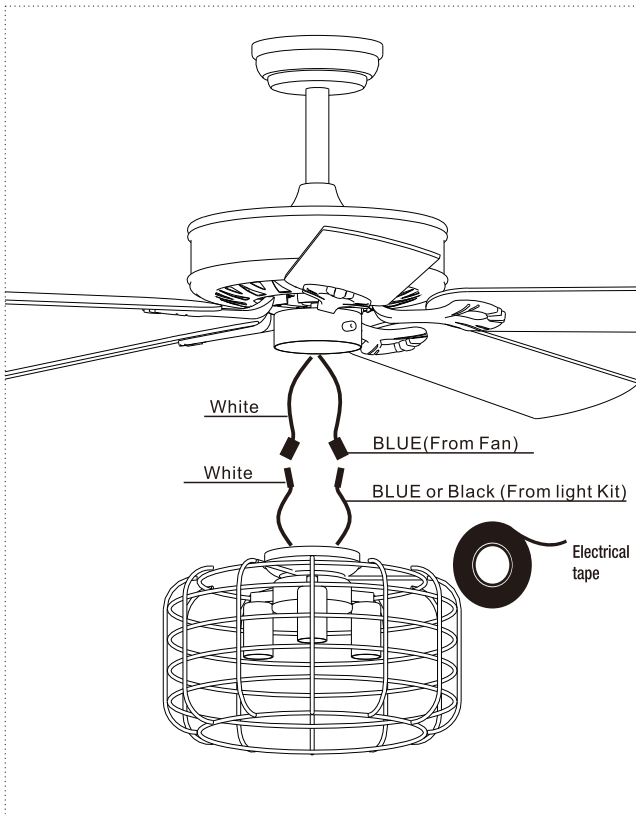
NOTE: Your fan blades are reversible. Select the blade side finish which best accentuates your decor.

- Fasten the blade brackets to the fan-motor assembly by inserting the alignment post into the slot on the bottom of the motor and tightening the pre-installed blade bracket screws by inserting a screw driver through the access hole.
- Repeat this step for the remaining blade assemblies by rotating the motor until the next blade bracket screw can be accessed through the access hole in the switch cup.



Assembly – Attaching the Lights

1. Attaching the light kit

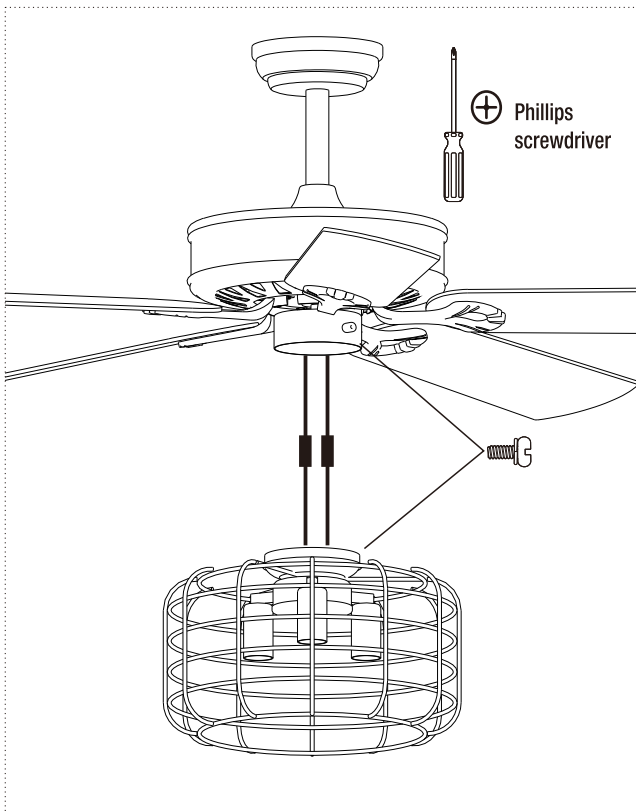


WARNING: To reduce the risk of electric shock, disconnect the electrical supply circuit to the fan before installing the light kit.

- 1. Insert the "white" line in the switching box of the motor in to the "white" line of the light and tie electrical tape.
- 2. Insert the "red" line in the switching box of the motor in to the "red" line of the light and tie electrical tape.
- Remove the three screws from the light kit fitter assembly .
- Connect the wires exiting the bottom of the motor assembly by connecting the molded adaptor plugs together (blue to blue, and white to white).
- Slide the light kit and secure it to the switch housing using the three screws that were removed in the first step.

Assembly – Attaching the Lights

2. Tighten the screw of the box cover. (Install connection screw)

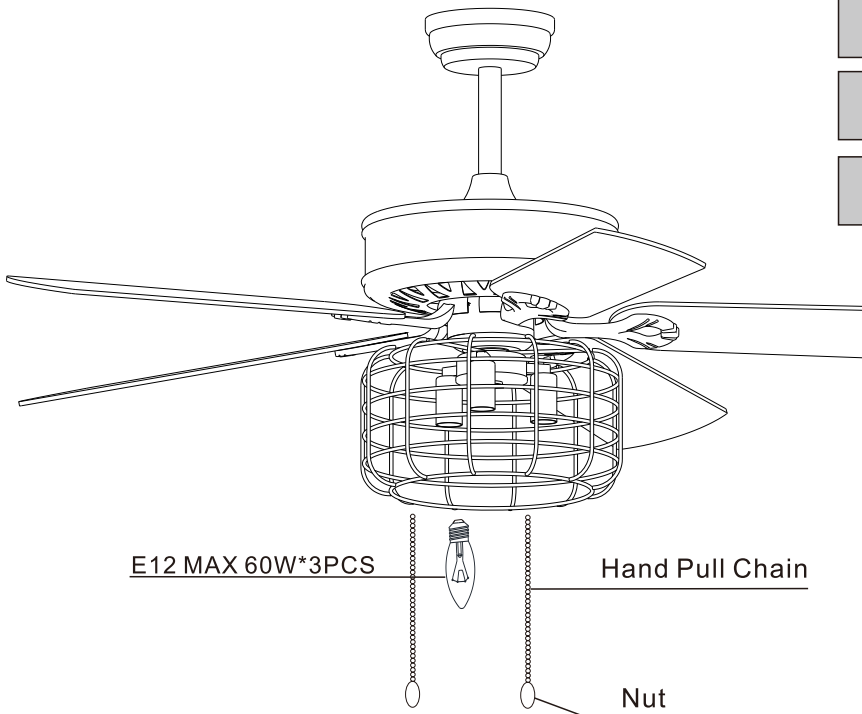


- Remove the three screws from the light kit fitter assembly. Connect the wires exiting the bottom of the motor assembly by connecting the molded adaptor plugs together (blue to blue, and white to white).
- Slide the light kit and secure it to the switch housing using the three screws that were removed in the first step.

- Remove the three light kit mounting screws on the side of switch cup cover.
- Position the switch cup cover onto the switch cup.
- Make sure the notch in the switch cup cover clears the reversing switch in the switch cup of the fan-motor assembly, and reinstall the light kit mounting screws.

Assembly – Attaching the Lights

3. Attaching the crystal shade and bulbs



WARNING: Allow the shatter resistant bowl to cool completely before removing.



CAUTION: Make sure the power is off before attaching or removing the shatter resistant bowl.



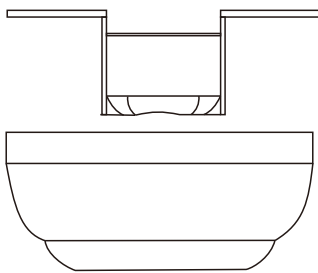
CAUTION: Do not over tighten the hex nut, overtightening the hex nut may cause the shatter resistant bowl to break.

- Choose the bulb that closes act the role ofing screw bulb inside lamp holder.
- Connect the Hand Pull Chain

Assembly – Hanging the Fan(continued)

Preparing for mounting

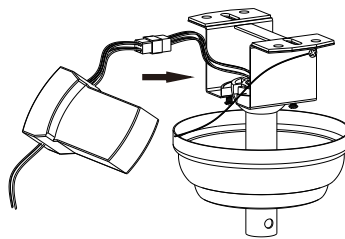
<Hand Pull Chain ONLY>



Phillips
screwdriver

- 1: Remove the mounting bracket from the canopy by loosening the two canopy screws located in the L shaped slots.
- 2: Remove and save the two canopy screws in the round holes. This will enable you to remove the mounting bracket

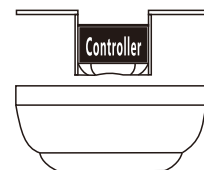
Install remote control



1. Carefully push the canopy to the bottom of the mounting bracket, make two sliding holes aligned to the two prominent screws on the mounting bracket, and then turn clockwise until tight.
2. Push the canopy ring to the bottom of the canopy, slide the inner holes aligned to the two prominent screws on the mounting bracket again, and turn the canopy ring clockwise until tight.

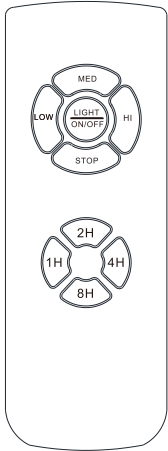
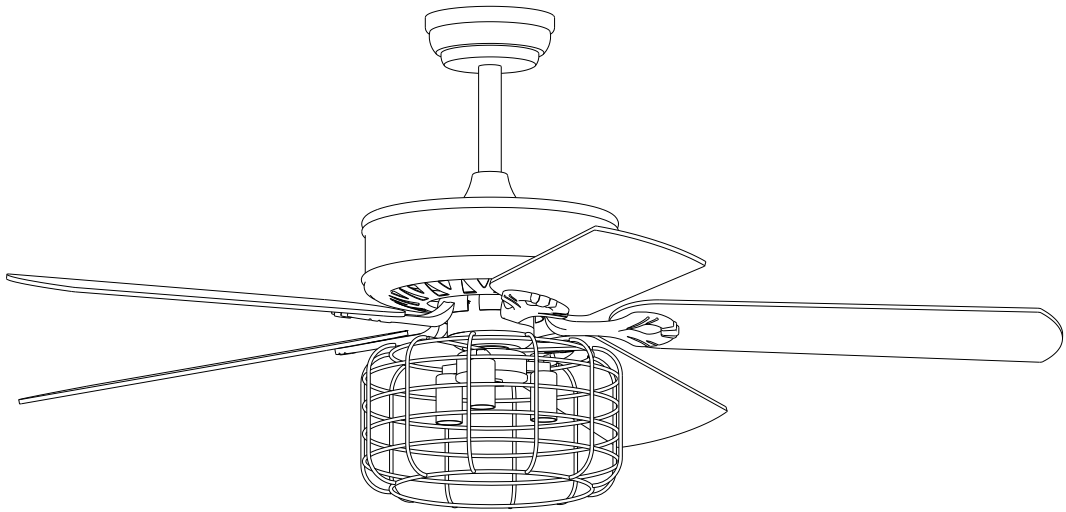
remote control <ONLY>

Preparing for mounting



- 1: Remove the mounting bracket from the canopy by loosening the two canopy screws located in the L shaped slots.
- 2: Remove and save the two canopy screws in the round holes. This will enable you to remove the mounting bracket

Use of remote control



remote control <ONLY>

- LOW** FanSpeed Low Level
- MED** FanSpeed Middle Level
- HI** FanSpeed High level
- STOP** FanSTOP

LIGHT ON/OFF

- 1H** Auto off after 1hr
- 2H** Auto off after 2hr
- 4H** Auto off after 4hr
- 8H** Auto off after 8hr

Operation

OPERATING YOUR FAN

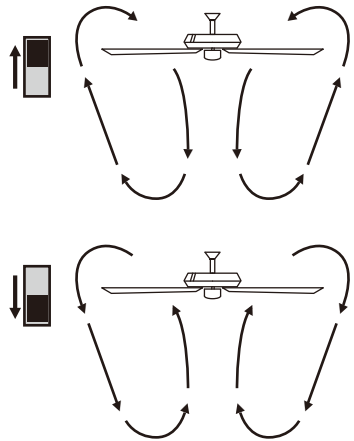
Turn on the power and check the operation of the fan. The fan pull chain controls the fan speed as follows:

1 pull-High, 2 pulls-Medium, 3 pulls-Low, 4 pulls-off

The appropriate speed settings for warm or cool weather depends on factors such as the room size, ceiling height, and number of fans.

The slide switch (XX) controls the direction of the blades: forward (switch down) or reverse (switch up).

NOTE: Wait for the fan to stop before reversing the direction of the blade rotation



A. Warm Weather (summertime)

B. Cool Weather (wintertime)

A. Warm weather-(Forward) A downward airflow creates a cooling effect. This allows you to set your air conditioner on a higher setting without affecting your comfort.

B. Cool weather-(Reverse) An upward airflow moves warm air off of the ceiling. This allows you to set your heating unit on a lowering setting without affecting your comfort.

Care and Cleaning



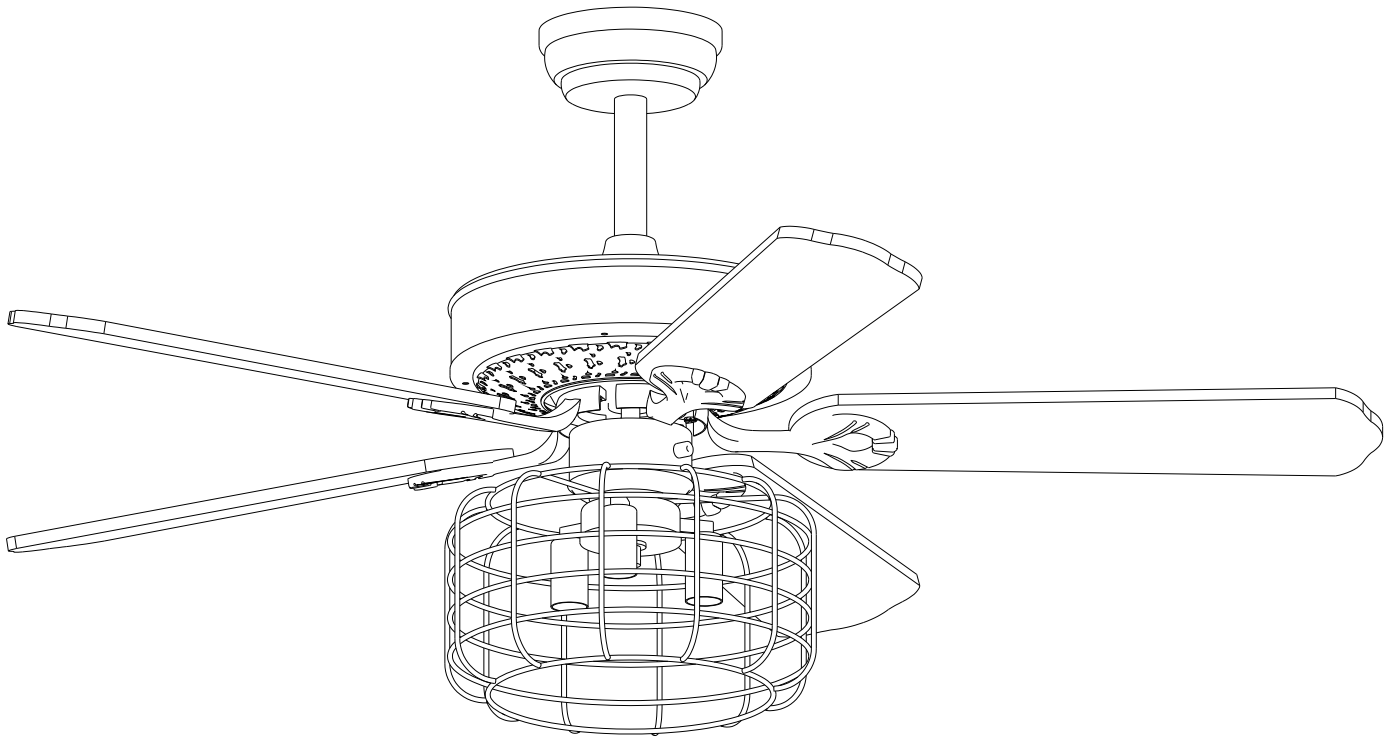
WARNING: Make sure the power is off before cleaning your fan.

- Because of the fan's natural movement, some connections may become loose. Check the support connections, brackets, and blade attachments twice a year. Make sure they are secure. It is not necessary to remove the fan from the ceiling.
- Clean your fan periodically to help maintain its new appearance over the years. Do not use water when cleaning, as this could damage the motor or the wood, or possibly cause an electrical shock. Use only a soft brush or lint-free cloth to avoid scratching the finish. The plating is sealed with a lacquer to minimize discoloration or tarnishing.
- You can apply a light coat of furniture polish to the wood for additional protection and enhanced beauty. Cover small scratches with a light application of shoe polish.
- You do not need to oil your fan. The motor has permanently-lubricated sealed ball bearings.

Troubleshooting

Problem	Solution
The fan will not start.	<ul style="list-style-type: none"> <input type="checkbox"/> Check the main and branch circuit fuses or breakers. <input type="checkbox"/> Check the line wire connections to the fan and switch wire connections in the switch housing.
The fan will not start.	<ul style="list-style-type: none"> <input type="checkbox"/> Ensure all motor housing screws are snug. <input type="checkbox"/> Ensure the screws that attach the fan blade bracket to the motor hub are tight. <input type="checkbox"/> Ensure the wire nut connections are not rattling against each other or the interior wall of the switch housing. <input type="checkbox"/> Allow a 24-hour "breaking in" period. Most noises associated with a new fan disappear during this time. <input type="checkbox"/> If you are using the Ceiling Fan light kit, ensure the screws securing the glassware are tight. Check that the light bulbs are also secure. <input type="checkbox"/> Ensure the canopy is a short distance from the ceiling. It should not touch the ceiling. <input type="checkbox"/> Ensure your outlet box is secure and rubber isolator pads were used between the mounting plate and outlet box.
The fan wobbles.	<ul style="list-style-type: none"> <input type="checkbox"/> Check that all blade and blade arm screws are secure. <input type="checkbox"/> Most fan wobble problems are caused when blade levels are unequal. Check this level by selecting a point on the ceiling above the tip of one of the blades. Measure from a point on the center of each blade to the point on the ceiling. Measure this distance. Rotate the fan until the next blade is positioned for measurement. Repeat for each blade. Any measurement deviation should be within 1/8 in. Run the fan for ten minutes. If the fan continues to wobble please contact Customer Service and a balancing kit will be sent to you

JONATHAN Y



USE AND CARE GUIDE

52-INCH CRYSTAL CEILING FAN