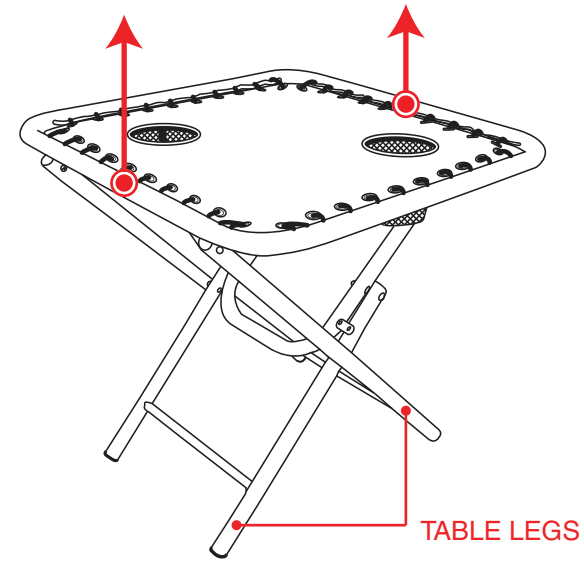
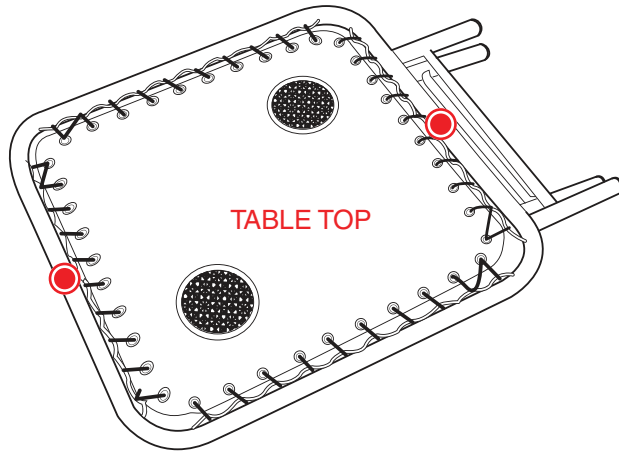


Foldable Sling Table Instructions



1 Make sure the ground is even and leveled prior to unfolding the sling table. Place the folded sling table on the ground with the table top facing up. Unfold the sling table by firmly grabbing the table top by the frame near the legs and the opposite edge (as indicated by the "●").

2 Pull the table top straight upwards until both set of legs are fully opened as shown in the above diagram. Rest the table (legs first) on the ground

Care Use mild soap & brush or sponge. Brush lightly until dirt or stain is removed & rinse with cold water. Do not use harsh chemicals.
Fiber Content: 70% PVC, 30% Polyester

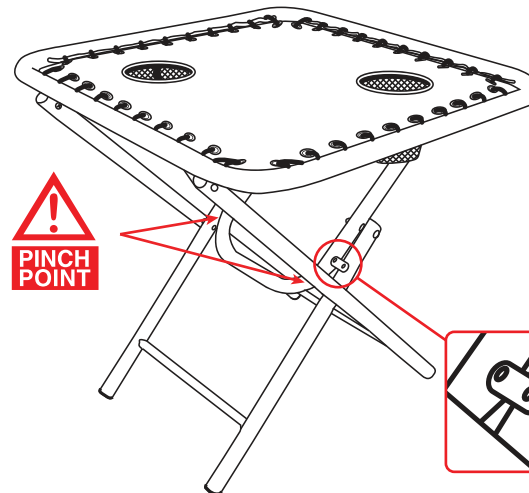
WARNINGS

THE FOLDABLE SLING TABLE IS INTENDED TO BE USED TO PLACE SMALL AND LIGHT-WEIGHT OBJECTS SUCH AS DRINKING GLASSES, PEN, PAPER, TABLETS, SMARTPHONES, ETC. AVOID SITTING, STANDING, PLAYING, JUMPING, ETC ON THE FOLDABLE SLING TABLE TO HELP PREVENT INJURY.

TO AVOID SPILLING BEVERAGES, IT IS RECOMMENDED TO PLACE FILLED DRINKING GLASSES IN THE BUILT-IN CUP HOLDERS. BE CAREFUL WHEN PLACING OBJECTS ON THE SLING TABLE WITH FILLED DRINKING GLASSE(S) THAT MAY BE ON THE SLING TABLE FABRIC (SLING) AND NOT IN THE CUP HOLDER(S). PLACING OR DROPPING OBJECTS MAY CAUSE THE BEVERAGE(S) TO SPILL.

IT IS NOT RECOMMENDED TO PLACE HOT DRINKS IN NON-INSULATED CUPS ON THE SLING TABLE.

BE CAREFUL WHEN PLACING ELECTRONICS NEAR BEVERAGES THAT IS ON THE TABLE, AS IF THE BEVERAGE SPILLS, IT MAY CAUSE DAMAGE TO THE ELECTRONIC(S).



THERE ARE MOVING PARTS ON THE FOLDABLE SLING TABLE INCLUDING BUT NOT LIMITED TO WHERE THE LEGS MEET THE FRAME. THESE MOVING PARTS POSE A PINCHING HAZARD WHILE IN MOTION. KEEP THOSE AREAS CLEAR WHILE THE FOLDABLE SLING TABLE IS IN MOTION, I.E. CLOSING AND OPENING THE FOLDABLE SLING TABLE.

