

INSTALLATION INSTRUCTIONS CARE AND MAINTENANCE

Drop-In Countertop Sink

Models: DL-1 & DL-6

FIAT PRODUCTS

Thank you for selecting FIAT Products. To ensure this product is installed properly, please read these instructions carefully before you begin. (Certain installations may require professional help.) Also be sure your installation conforms to local codes.

IMPORTANT: Unpack your new Drop-In Sink and inspect carefully for damage. Your new Drop-In Sink is made of SMC. Exercise care during installation. Rough handling or dropped tools may chip or crack material.

OBSERVE LOCAL PLUMBING AND BUILDING CODES

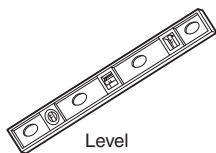
Recommended Tools & Materials



Tape Measure



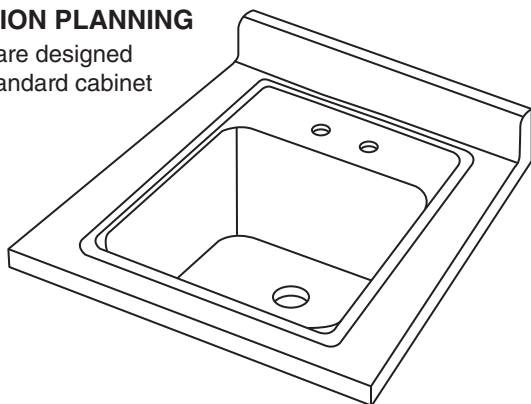
Clear Silicone Caulk
& Caulking Gun



Level

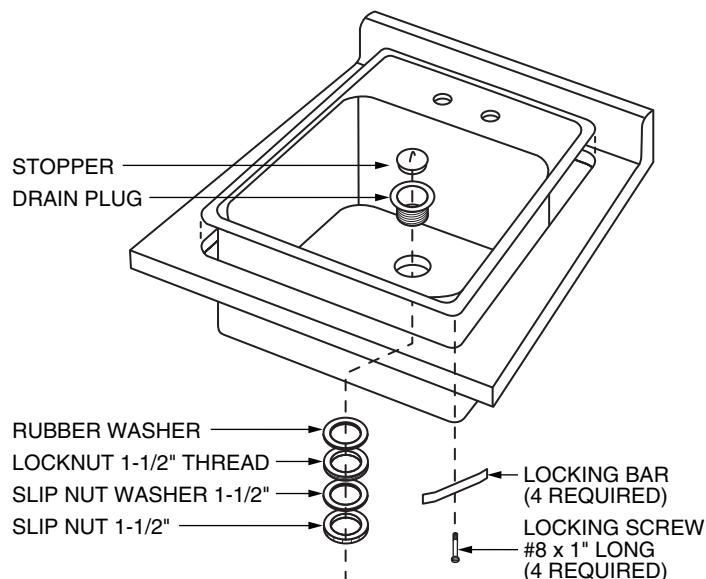
INSTALLATION PLANNING

These sinks are designed to fit into a standard cabinet countertop.



Determine the desired location of your sink on the counter top. Make sure the position will fit on the flat area of the counter top taking into account the radius curve of the back splash (if applicable). Also note clearance below the counter top to assure room for faucet and drain connections.

PARTS ILLUSTRATION



1 INSTALLATION PROCEDURE

This sink is designed to fit into a 23-1/8" x 20-7/8" countertop cutout. Determine the desired location of your sink and lay out the cutout dimensions as shown in Figure 1. Drill four (4) 1/2" diameter holes at each corner of the cutout and make a saw cut on the inside of the layout line. Test fit sink into opening.

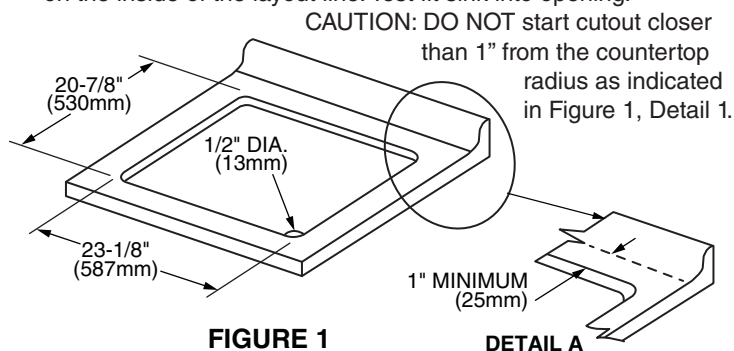


FIGURE 1

DETAIL A

2

Remove sink from opening and install faucet (supplied by others). Use flexible supply lines where permissible. If sweat connections are required, make all attachments before the sink is in place. Install drain plug by applying a bead of silicone sealant to the underside and tightened in place as shown in Figure 2. Wipe away excess sealant.

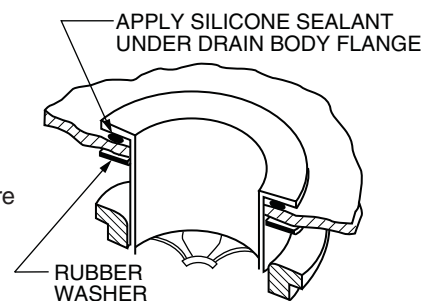


FIGURE 2

3

Apply a continuous 3/8" diameter bead of sealant to the underside of the rim as shown in Figure 3. Set sink into countertop and fasten in place with locking bars and screws provided. CAUTION: Tighten screws until locking bars contact the underside of the countertop and will not spin. DO NOT overtighten.

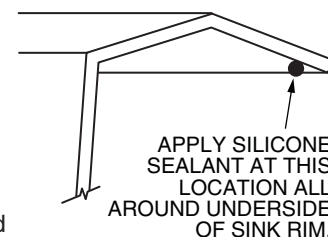


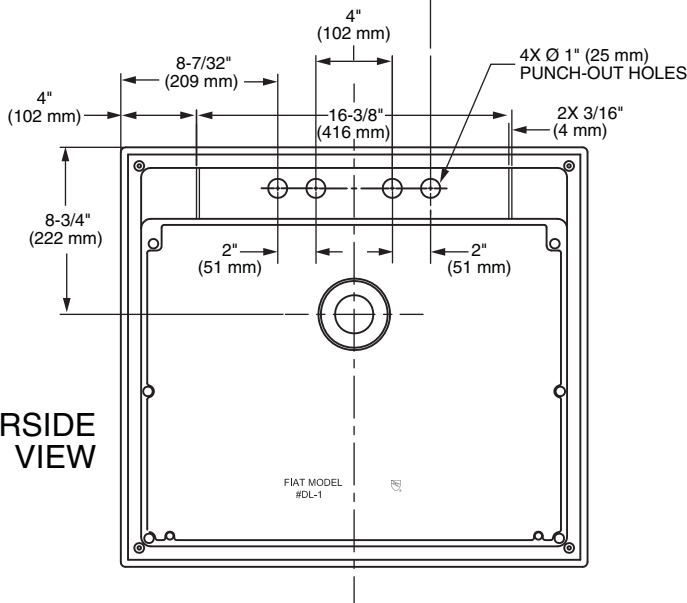
FIGURE 3

4

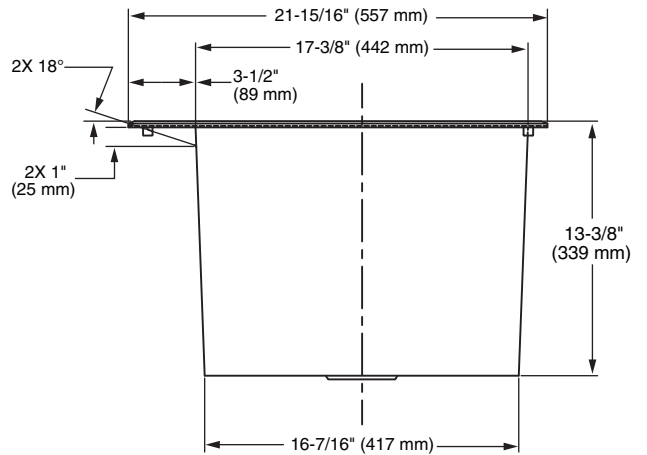
Connect supply and waste lines to faucet and drain respectively.

SAVE FOR FUTURE USE

SEE PUNCH-OUT HOLE DETAIL



UNDERSIDE VIEW



Sink Care and Cleaning

This sink has been specifically designed and engineered to exceed demanding strength and stress factors required for use. It is stain resistant, semi gloss finish. Like any fine finish, it requires reasonable care to maintain its beauty and luster. **Day-to-day cleaning:** Wash with warm water, a soft cloth, and mild liquid detergent. **For stubborn stains:** Use a Non-Abrasive, liquid detergent cleaner, applied using a soft cloth. More persistent stains, tar, or paint can be removed with naphtha or mineral spirits. Remove excess plaster by scraping with a sharpened soft wood stick. Avoid wire brushes, metal scrapers, or tools. NEVER USE ABRASIVE SCOURING POWDERS, SOLVENT BASED CLEANSERS, OR SCOURING PADS AS THEY TEND TO DULL THE FINISH.

FIAT PRODUCTS® LIMITED ONE YEAR WARRANTY

AS America, Inc. offers a limited warranty on FIAT Products to the original Purchaser consumer, both residential and commercial that products of its own manufacture shall be free of defects in material and workmanship for a period of One Year.

Under this warranty FIAT Products will, at its sole discretion, upon receipt of a written claim and proof of purchase, either (1) repair the product, (2) replace the product or any part therein with a FIAT Product of equal or similar type and size, or (3) refund to the consumer the wholesale price of the product received by FIAT Products. If FIAT Products elects to refund the wholesale price to the consumer, FIAT Products shall have no further obligation to its wholesale customer, or any contractor with respect to such product. Goods proven to be defective will be replaced after proper inspection, but no claims for damages incurred or for work done thereon will be allowed. Replacements when supplied will be shipped at no cost to the consumer.

This warranty **does not** apply to local building code compliance. Since local building codes vary considerably, the purchaser of the product should check with a local building or plumbing contractor to ensure local code compliance before installation.

This warranty **will be void** if:

1) the product has been moved from its initial place of installation; 2) if it has been subjected to faulty maintenance, abuse, misuse, accident or other damage; 3) if it was not installed in accordance with FIAT Products instructions; or 4) if it has been modified in a manner inconsistent with the product as shipped by FIAT Products.

This warranty **DOES NOT COVER** any damages caused by the use of non-approved cleaners, improper installations or excessive abuse.

FIAT Products' right to repair or exchange the product under this warranty does not cover any labor or other costs of removal or installation including any costs of any surround material such as tile or marble.

FIAT Products is not responsible for any other incidental or consequential damages attributed to a product defect or to the repair or exchange of a defective product, all of which are expressly excluded from this warranty. (Some states or provinces do not allow the exclusion or limitation of implied warranties, so this exclusion may not apply to you.)

This warranty gives you specific rights. You may have other statutory rights that may vary from state to state or province to province, in which case this warranty does not affect such statutory rights.

In the United States:

American Standard Brands
P.O. Box 6820
Piscataway, New Jersey 08855
Attention: Director of Customer Care
For residents of the United States, warranty information may also be obtained by calling the following toll free number: (800) 442-1902
www.americanstandard.com

In Canada:

AS Canada, ULC
5900 Avebury Rd.
Mississauga, Ontario
Canada L5R 3M3
Toll Free: (800) 387-0369
www.americanstandard.ca

In Mexico:

American Standard B&K Mexico
S. de R.L. de C.V.
Via Morelos #330
Col. Santa Clara
Ecatepec 55540 Edo. Mexico
Toll Free: 01-800-839-1200
www.americanstandard.com.mx

THIS WARRANTY IS NOT TRANSFERABLE FROM ORIGINAL CONSUMER PURCHASER.