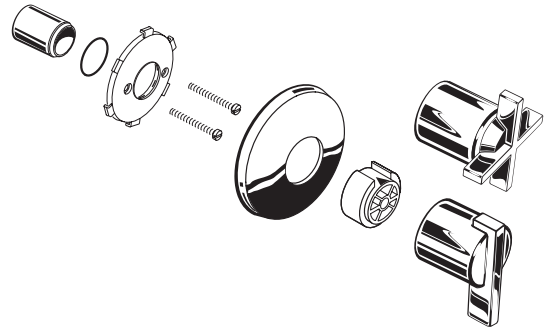


American Standard

# Installation Instructions

## BERWICK™ ON/OFF VALVE TRIM

T430.700  
T430.702



Thank you for selecting American-Standard...the benchmark of fine quality for over 100 years.

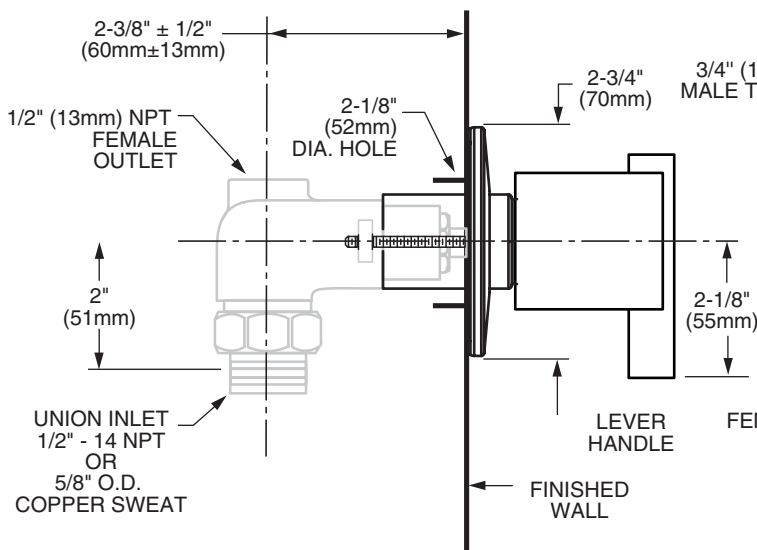
To ensure that your installation proceeds smoothly—please read these instructions carefully before you begin.

Certified to comply with ANSI A112.18.1M  
ASSE 1016

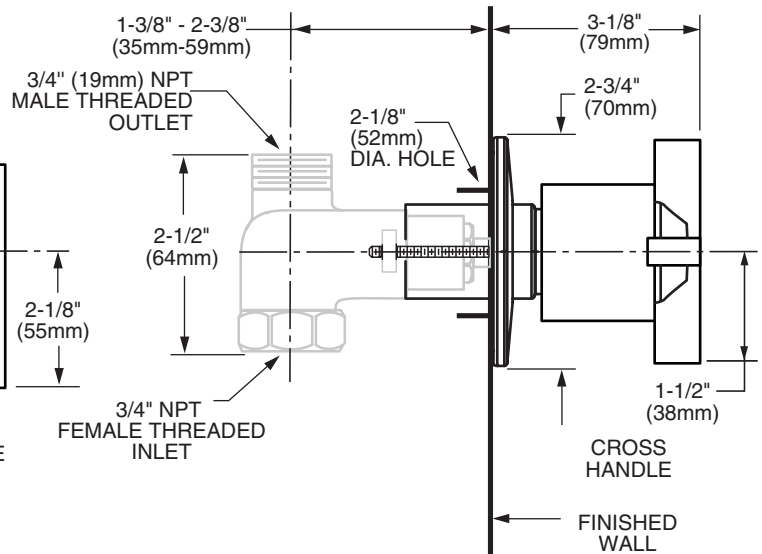
M965001

### ROUGHING-IN DIMENSIONS

#### R701 1/2" NPT



#### R711 3/4" NPT



### Recommended Tools



Flat Blade Screwdriver



Phillips Screwdriver

### CARE INSTRUCTIONS:

- To keep your new faucet looking new, please follow these simple care instructions:

- DO:**
- Simply rinse the faucet clean with clear water.
  - Dry the faucet with a soft cotton cloth.

**DO NOT:**

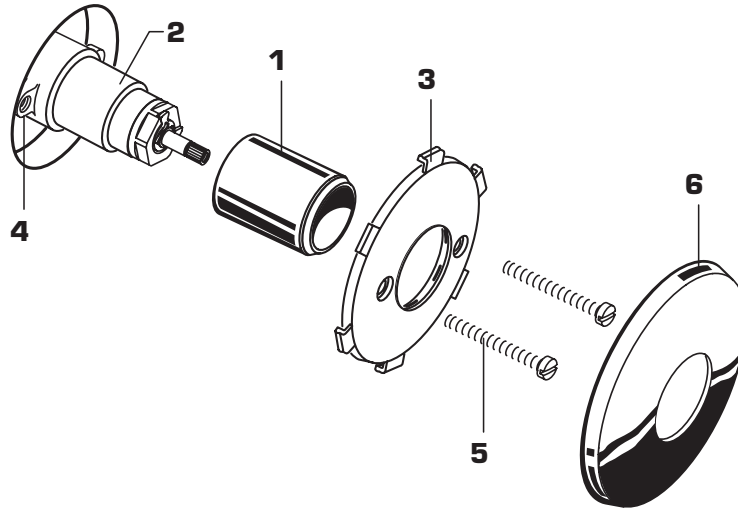
- Do not use any abrasive cleaners, cloths, or paper towels.
- Do not use any cleaning agents containing acids, polish abrasives, or harsh cleaners or soaps.
- Regular and routine cleaning will reduce the need for heavy cleaning and polishing. If heavy cleaning is required, the following procedures are recommended:

- Remove as much surface dirt and film using clear water and soft cotton cloth **(as described above)**.
  - Use any of the following to remove tough surface film and build-up:
    - Mild liquid detergents
    - Clear ammonia free liquid glass cleaners
    - Non-acidic, non-abrasive gentle liquid or fully dissolved powder cleansers mixed according to manufacturers directions.
    - Non-abrasive liquid polishes
- Once clean, rinse faucet again with clear water to thoroughly remove cleaner or polish and blot dry with a soft cotton cloth.

**Failure to follow these care instructions may damage the Faucet's finish.**

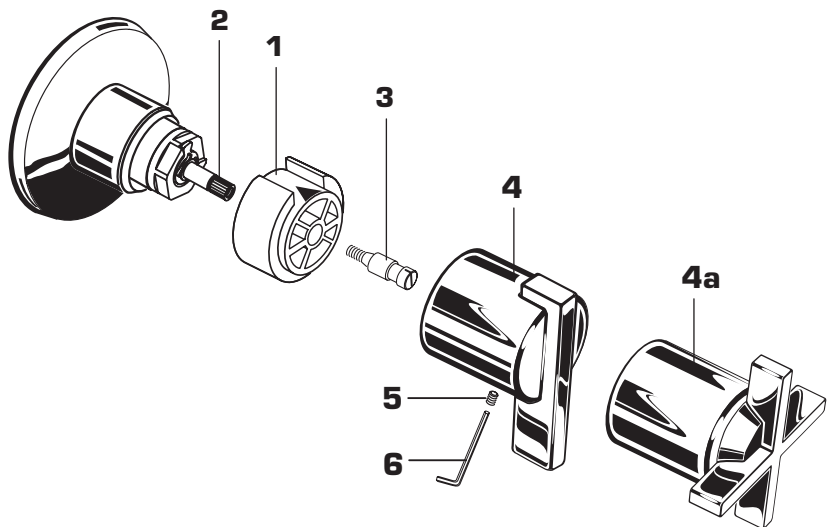
# 1 TRIM INSTALLATION

- Push VALVE COVER (1) over VALVE CARTRIDGE (2) until it is seated against the stop.
- Place ESCUTCHEON HOLDER (3) over VALVE COVER (1). Line up holes in ESCUTCHEON HOLDER (3) with THREADED TABS (4) on VALVE.
- Install MOUNTING SCREWS (5) through ESCUTCHEON HOLDER (3) and into THREADED TABS (4). Tighten SCREWS securely.
- Place ESCUTCHEON (6) over ESCUTCHEON HOLDER (3) and push evenly for a snap fit.



# 2 HANDLE INSTALLATION

- Install HANDLE ADAPTER (1) onto VALVE STEM (2).
- Install HANDLE SCREW (3) and tighten.
- Align HANDLE (4, 4a) and push onto HANDLE ADAPTER (1).
- Tighten SET SCREW (5) with HEX WRENCH (6) supplied with trim kit.



# 3 OPERATING THE VALVE

- Turn HANDLE into OFF position.
- Turn on water supplies, and check all connections for leaks.
- Operate HANDLE to flush water lines thoroughly.
- Turn handle OFF.

