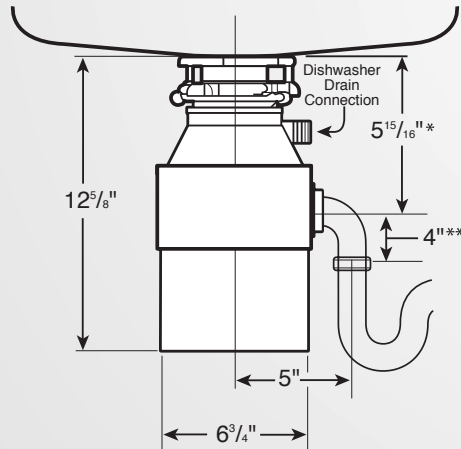


# Food Waste Disposers

## insinkerator<sup>®</sup> Contractor 333<sup>™</sup>



### Dimensions



\* Distance from bottom of sink to center line of disposer outlet.  
Add 1/2" when stainless steel sinks are used.  
\*\* Length of tailpipe from center line of disposer outlet to end of tailpipe.  
NOTE: Plumb waste line to prevent standing water in disposer motor housing.

### Submittal Sheet

This model offers the following features and benefits:

- 3/4 Horsepower Heavy Duty Motor (Quiet Dura-Drive<sup>®</sup> Induction Motor)
- 3-Year *We Come To You*<sup>®</sup> In-Home Parts And Labor Service Warranty
- Stainless Steel Grind Components
- Quick Lock<sup>®</sup> mounting for fast, easy installation
- Polished stainless steel flange with 1-piece stainless steel stopper

### Sample Specification

Food Waste Disposer(s) shall be InSinkErator Contractor 333 continuous feed, with 3/4 H.P. motor, stainless steel grinding elements with two stainless steel 360° swivel lugs. Self-service wrench.

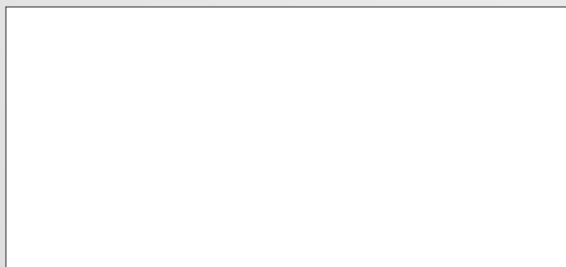
**Warranty:**  
3-Year parts and in-home service.

\* The complete InSinkErator Contractor 333 warranty is included in the Care & Use Booklet packed with each unit.

### Model CNTR333 Specifications

Type of Feed	Continuous
On/Off Control	Wall Switch
Motor	Single Phase
HP	3/4
Volts	120
HZ	60
RPM	1725
Amp. (Avg. Load)	8.1
Time Rating	Intermittent
Lubrication	Permanently Lubricated Upper & Lower Bearings
Shipping Weight (Approx.)	17 lbs.
Unit Finish	Black
Overall Height	12-5/8"
Grind Chamber Capacity	26 oz.
Motor Protection	Manual Reset Overload
Average Water Usage	1/4 Gallon per Person Per Day
Average Electrical Usage	1/2 KWH per Month
Drain Connection	1-1/2" Cushioned Slip Joint
Dishwasher Drain Connection	Yes

### Job Specifications



**EMERSON**  
Appliance Solutions

The Emerson logo is a trademark and service mark of Emerson Electric Co.

InSinkErator may make improvements and/or changes in the specifications at any time, in its sole discretion, without notice or obligation and further reserves the right to change or discontinue models.

1-800-558-5700  
www.insinkerator.com